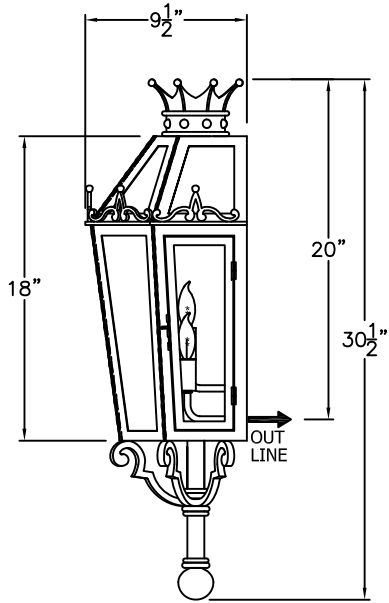
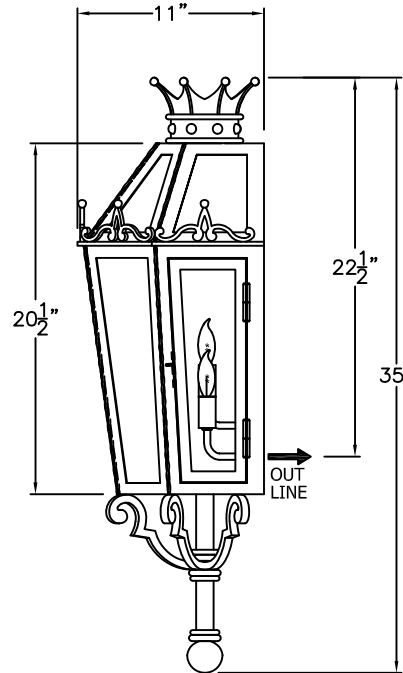


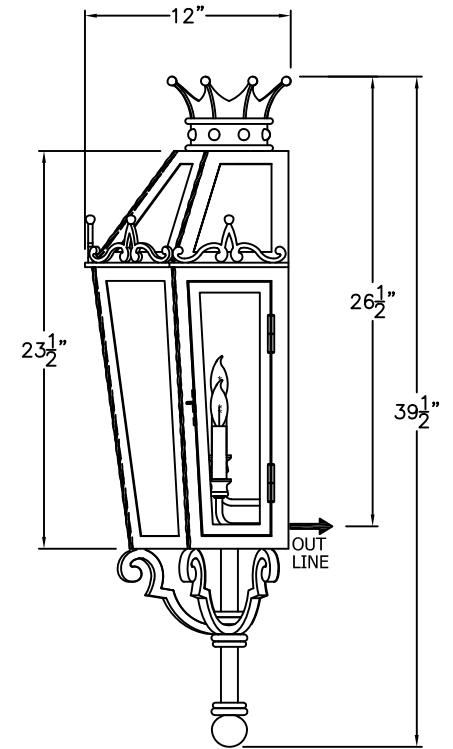
**SMALL**  
**C-009-001**  
 11" W X 25" H X 8" D



**MEDIUM**  
**C-009-002**  
 13" W X 30 1/2" H X 9 1/2" D



**LARGE**  
**C-009-003**  
 15" W X 35" H X 11" D



**XLARGE**  
**C-009-004**  
 17" W X 39 1/2" H X 12" D

ONLY AVAILABLE  
 IN ELECTRIC

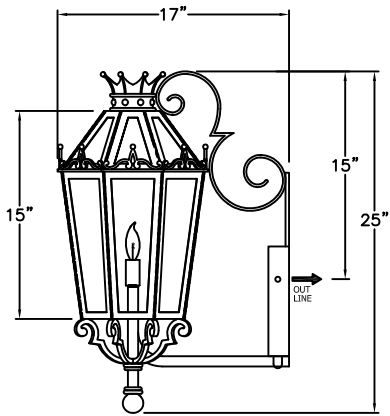
\* ACTUAL DIMENSIONS MAY VARY UP TO 1/2"

CUSTOM DRAWING CHANGES:

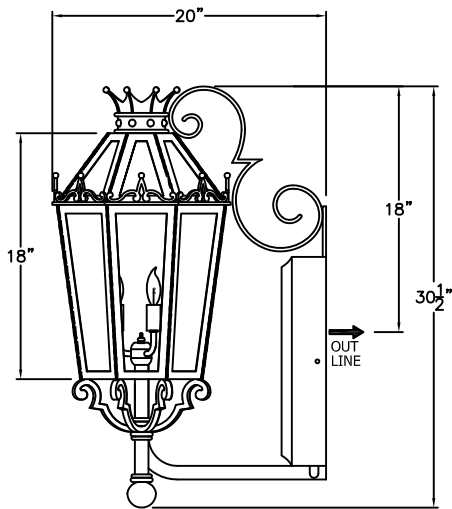
© 2012 SOLARA ENCHAINMENT  
 UNAUTHORIZED USE OF THIS  
 PLAN IS IN VIOLATION OF THE  
 U.S. COPYRIGHT ACT TITLE 17  
 OF THE U.S. CODE.



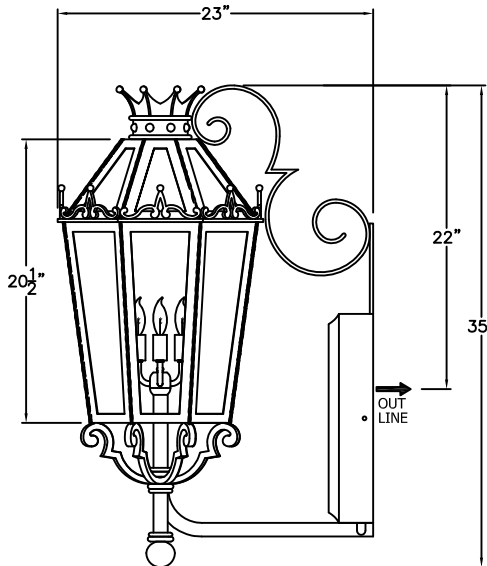
DESIGN:	ALCALA
LINE:	SCONCE MOUNT
FILE:	C-009-00SET-EL-S100-1
DATE REV:	18-JAN-12



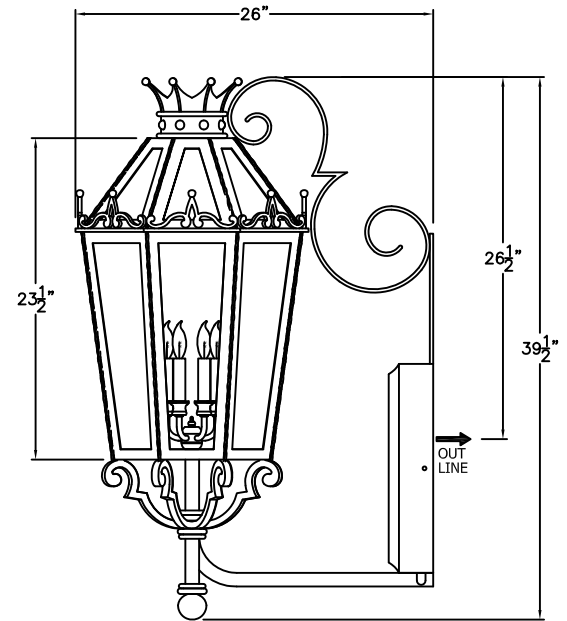
SMALL  
C-009-011  
11" W X 25" H X 17" D



MEDIUM  
C-009-012  
13" W X 30 1/2" H X 20" D



LARGE  
C-009-013  
15" W X 35" H X 23" D



XLARGE  
C-009-014  
17" W X 39 1/2" H X 26" D

AVAILABLE IN  
GAS & ELECTRIC  
WITH EXCEPTION  
OF SMALL SIZE

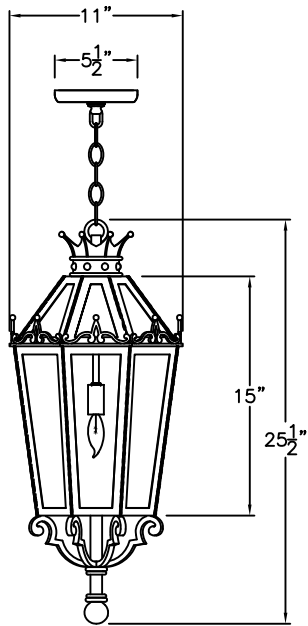
\* ACTUAL DIMENSIONS MAY VARY UP TO 1/2"

CUSTOM DRAWING CHANGES:

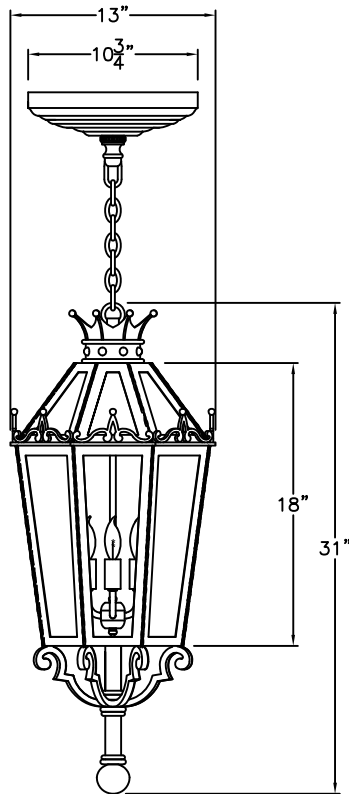
© 2012 SOLARA ENCHAINMENT  
UNAUTHORIZED USE OF THIS  
PLAN IS IN VIOLATION OF THE  
U.S. COPYRIGHT ACT TITLE 17  
OF THE U.S. CODE.



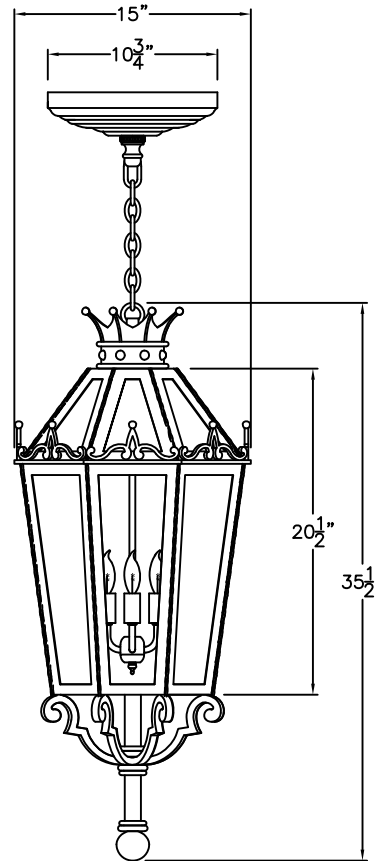
DESIGN:	ALCALA
LINE:	WALL MOUNT
FILE:	C-009-01SET-EL-S100-1
DATE REV:	04-JAN-12



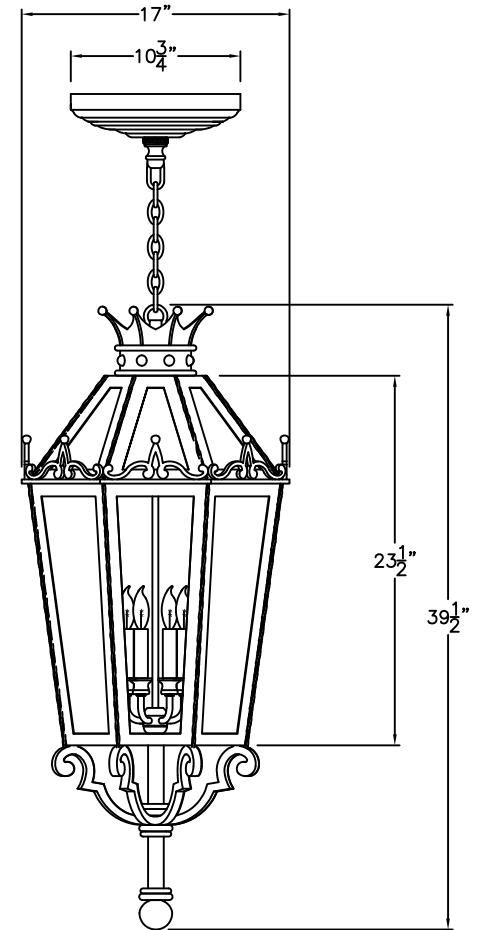
SMALL  
C-009-041  
11" W X 25 1/2" H



MEDIUM  
C-009-042  
13" W X 31" H



LARGE  
C-009-043  
15" W X 35 1/2" H



XLARGE  
C-009-044  
17" W X 39 1/2" H

ONLY AVAILABLE  
IN ELECTRIC

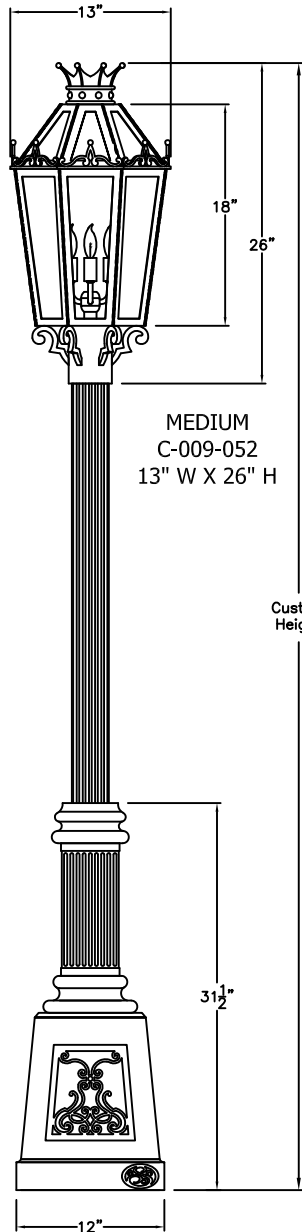
\* ACTUAL DIMENSIONS MAY VARY UP TO 1/2"

CUSTOM DRAWING CHANGES:

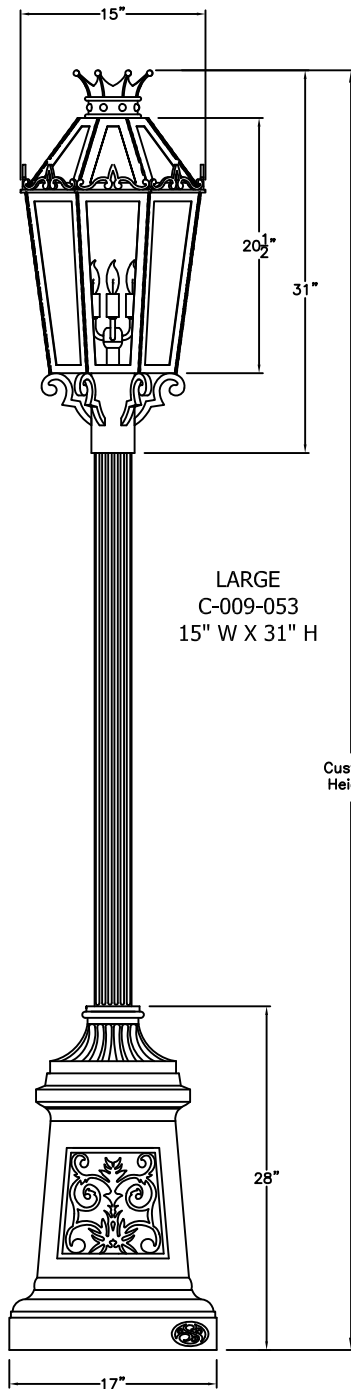
© 2012 SOLARA ENCHAINMENT  
UNAUTHORIZED USE OF THIS  
PLAN IS IN VIOLATION OF THE  
U.S. COPYRIGHT ACT TITLE 17  
OF THE U.S. CODE.



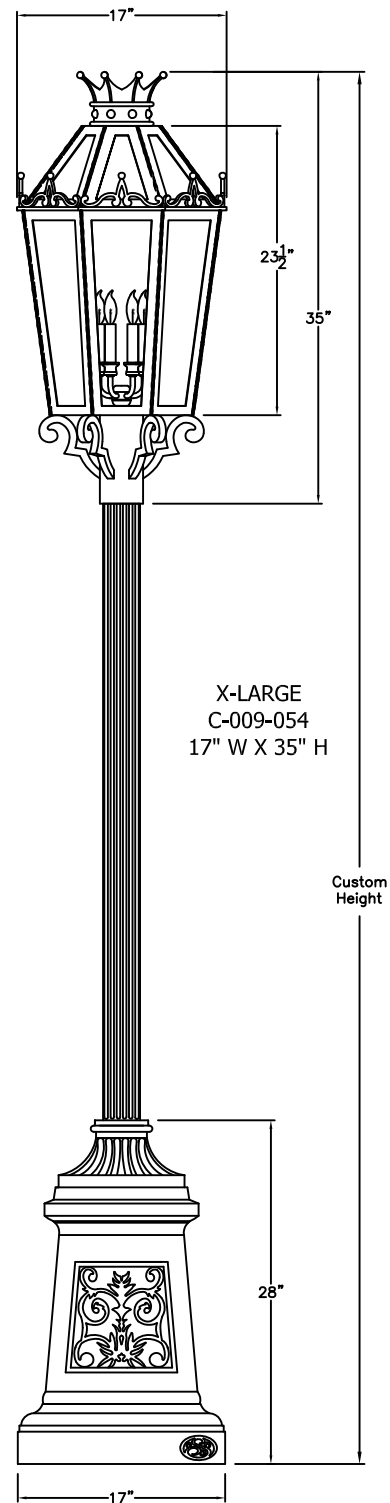
DESIGN:	ALCALA
LINE:	PENDANT CHAIN
FILE:	C-009-04SET-EL-S100-1
DATE REV:	04-JAN-12



SOLARA BASE



MUNICH BASE



AVAILABLE IN  
GAS & ELECTRIC  
WITH EXCEPTION  
OF SMALL SIZE

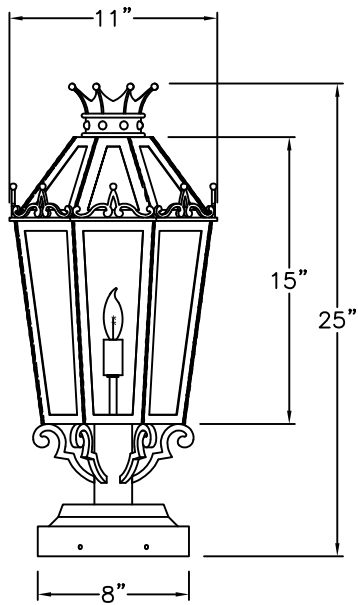
\* POST ARE SOLD SEPARATELY  
\* ACTUAL DIMENSIONS MAY VARY UP TO 1/2"

CUSTOM DRAWING CHANGES:

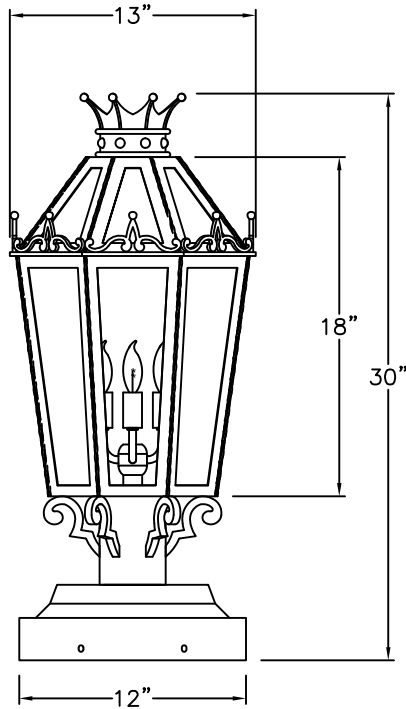
© 2012 SOLARA ENCHAINMENT  
UNAUTHORIZED USE OF THIS  
PLAN IS IN VIOLATION OF THE  
U.S. COPYRIGHT ACT TITLE 17  
OF THE U.S. CODE



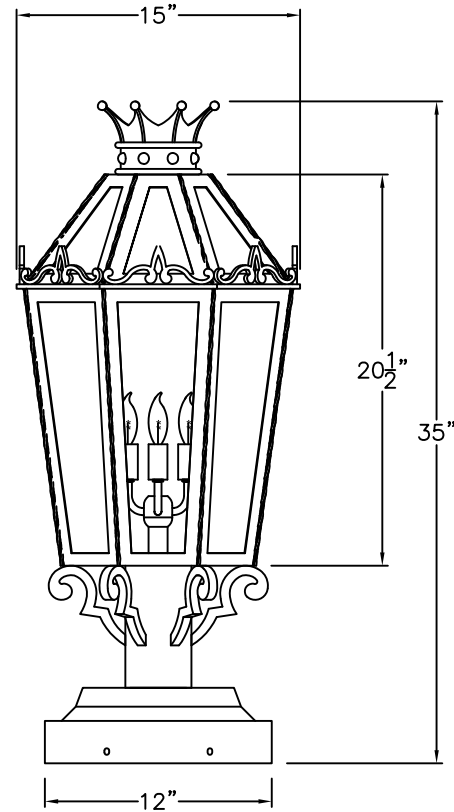
DESIGN: ALCALA  
LINE: POST MOUNT  
FILE: C-009-05SET-EL-S100-1  
DATE REV: 17-JAN-12



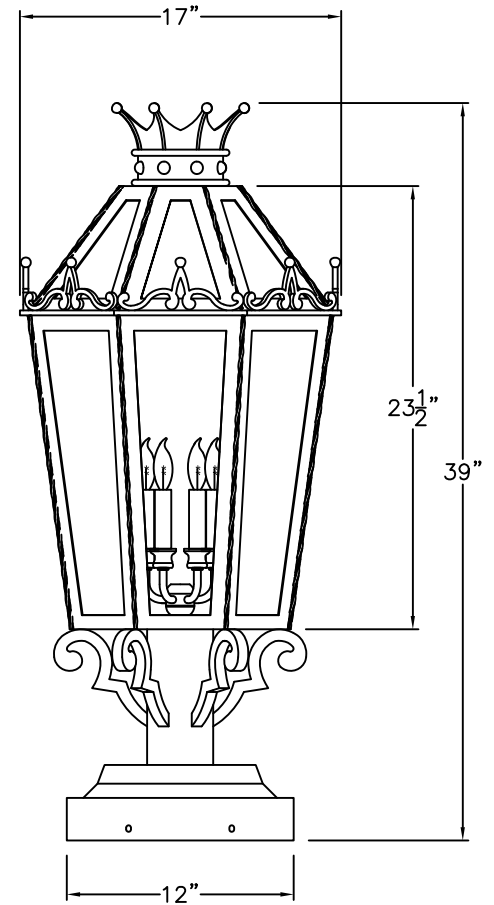
**SMALL**  
**C-009-061**  
**11" W X 25" H**



**MEDIUM**  
**C-009-062**  
**13" W X 30" H**



**LARGE**  
**C-009-063**  
**15" W X 35" H**



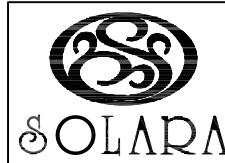
**X-LARGE**  
**C-009-064**  
**17" W X 39" H**

AVAILABLE IN  
 GAS & ELECTRIC  
 WITH EXCEPTION  
 OF SMALL SIZE

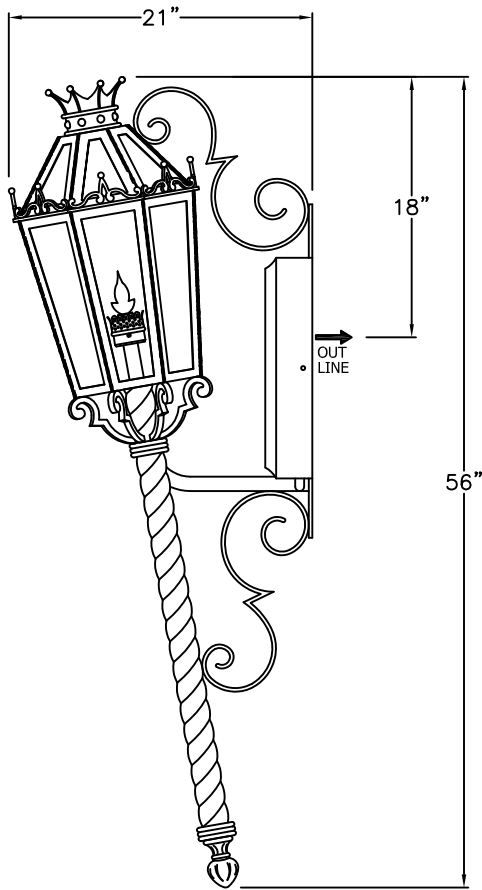
\* ACTUAL DIMENSIONS MAY VARY UP TO 1/2"

CUSTOM DRAWING CHANGES:

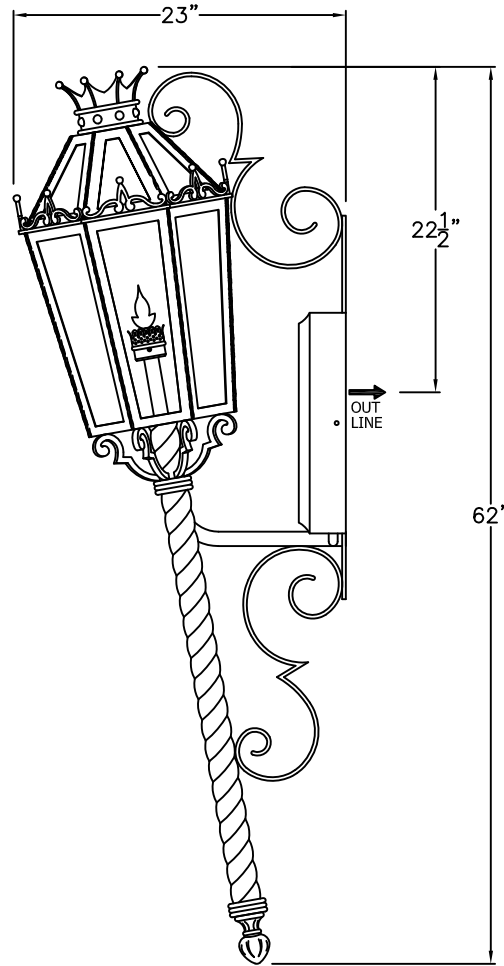
© 2012 SOLARA ENCHAINMENT  
 UNAUTHORIZED USE OF THIS  
 PLAN IS IN VIOLATION OF THE  
 U.S. COPYRIGHT ACT TITLE 17  
 OF THE U.S. CODE.



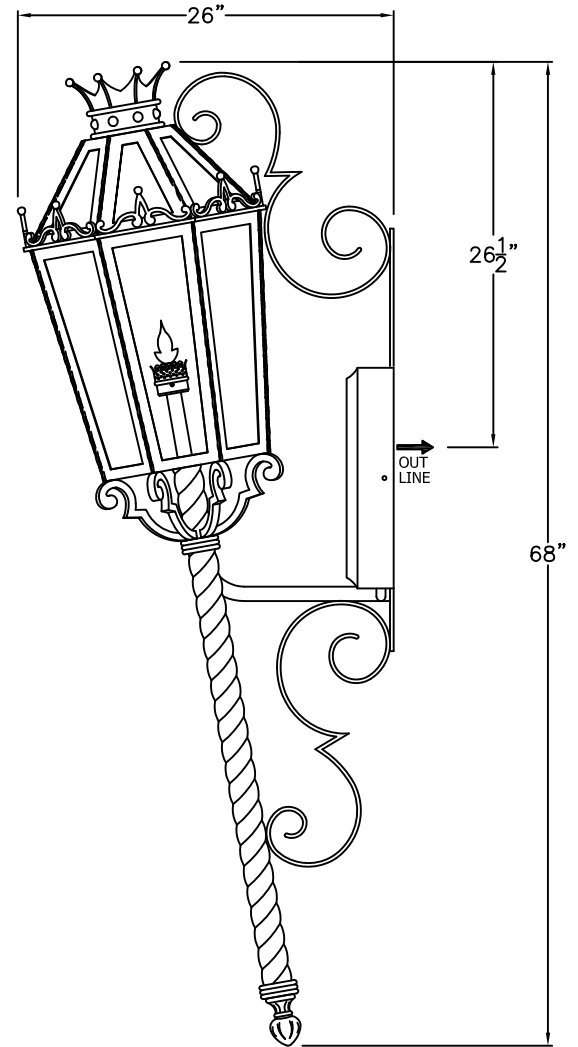
DESIGN:	ALCALA
LINE:	PIER MOUNT
FILE:	C-009-06-SET-EL-S100-1
DATE REV:	17-JAN-12



MEDIUM  
C-009-082  
13" W X 56" H X 21" D



LARGE  
C-009-083  
15" W X 62" H X 23" D



X-LARGE  
C-009-084  
17" W X 68" H X 26" D

AVAILABLE IN  
GAS & ELECTRIC  
WITH EXCEPTION  
OF SMALL SIZE

\* ACTUAL DIMENSIONS MAY VARY UP TO 1/2'

CUSTOM DRAWING CHANGES:

© 2013 SOLARA ENCHAINMENT  
UNAUTHORIZED USE OF THIS  
PLAN IS IN VIOLATION OF THE  
U.S. COPYRIGHT ACT TITLE 17  
OF THE U.S. CODE.



DESIGN:	ALCALA
LINE:	TORCH MOUNT
FILE:	C-009-08SET-EG-S100-1
DATE REV:	10-JUN-13