

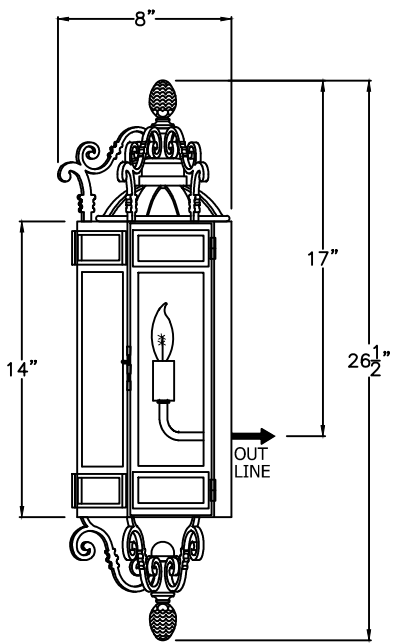


Solara lighting
2011

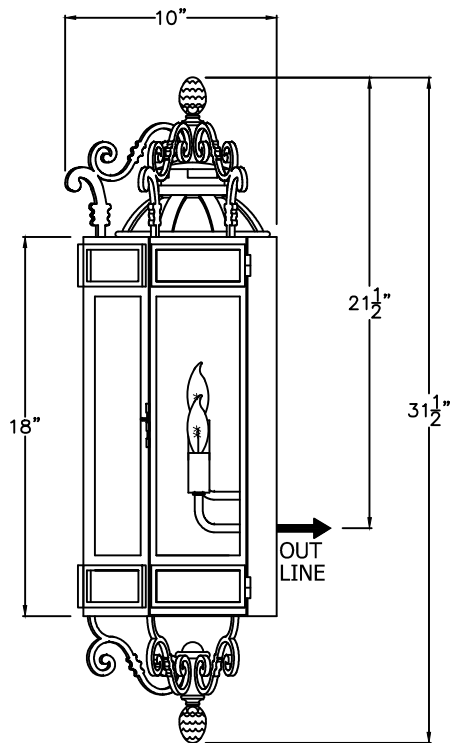
Alexandria
F-006



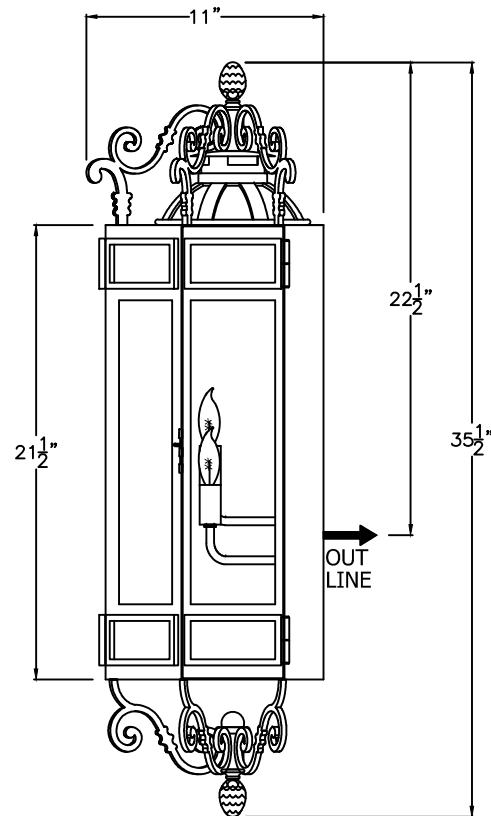
www.solaralighting.com
1-888-8SOLARA



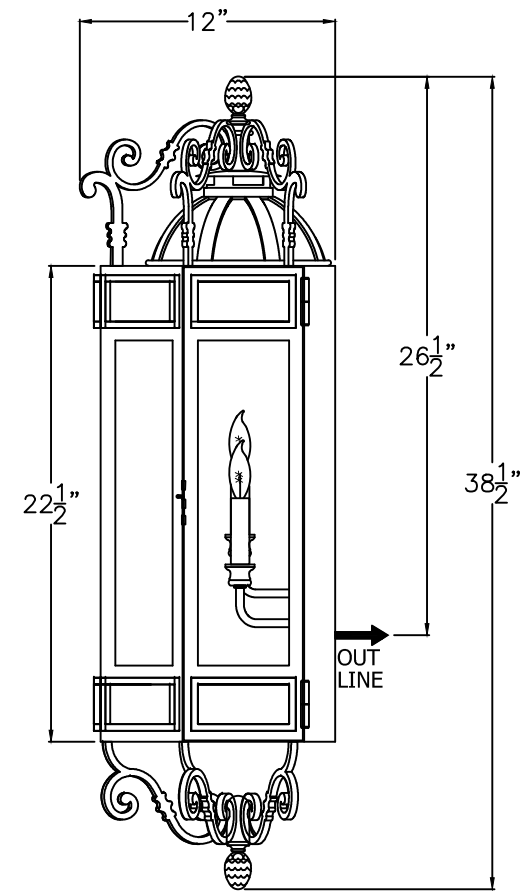
SMALL
F-006-001
10" W X 27" H X 8 1/2" D



MEDIUM
F-006-002
12" W X 31 1/2" H X 10" D



LARGE
F-006-003
14" W X 35 1/2" H X 11" D



XLARGE
F-006-004
15" W X 38 1/2" H X 12" D

ONLY AVAILABLE
IN ELECTRIC

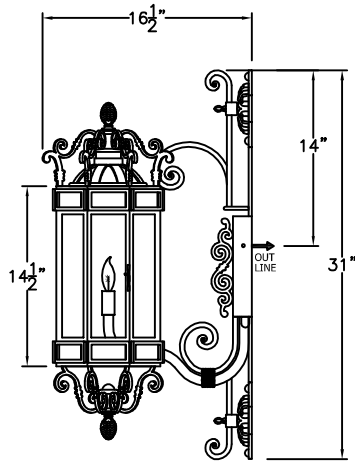
* ACTUAL DIMENSIONS MAY VARY UP TO 1/2"

CUSTOM DRAWING CHANGES:

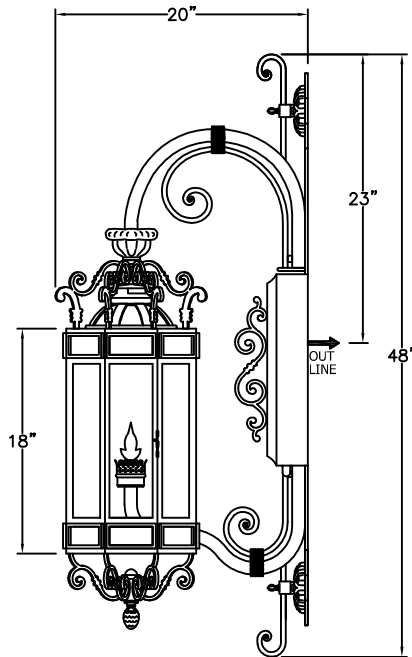
© 2013 SOLARA ENCHAINMENT
UNAUTHORIZED USE OF THIS
PLAN IS IN VIOLATION OF THE
U.S. COPYRIGHT ACT TITLE 17
OF THE U.S. CODE.



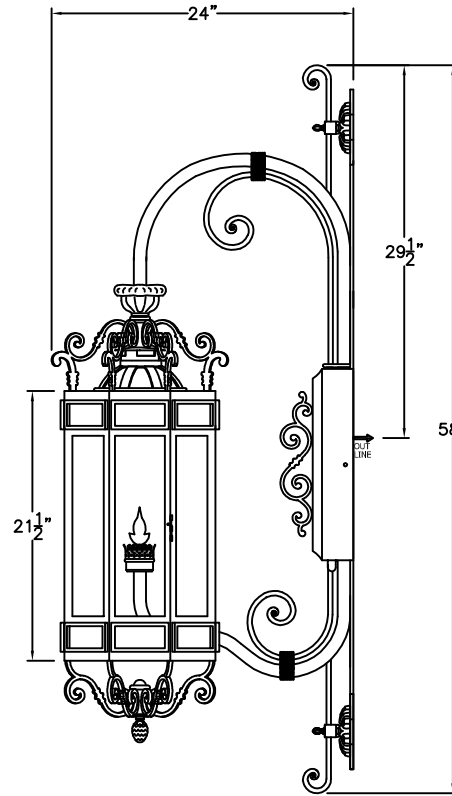
DESIGN:	ALEXANDRIA
LINE:	FLUSH SCONCE MOUNT
FILE:	F-006-00SET-EL-S100-2
DATE REV :	31-MAY-13



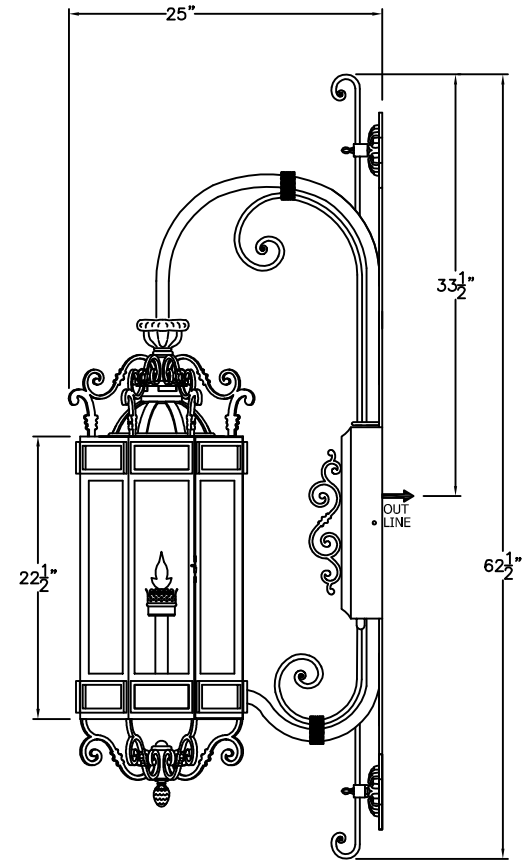
SMALL
F-006-011
10 1/2" W x 31" H x 16 1/2" D



MEDIUM
F-006-012
12" W x 48" H x 20" D



LARGE
F-006-013
14" W x 58" H x 24" D



XLARGE
F-006-014
15" W x 62 1/2" H x 25" D

AVAILABLE IN
GAS & ELECTRIC
WITH EXCEPTION
OF SMALL SIZE

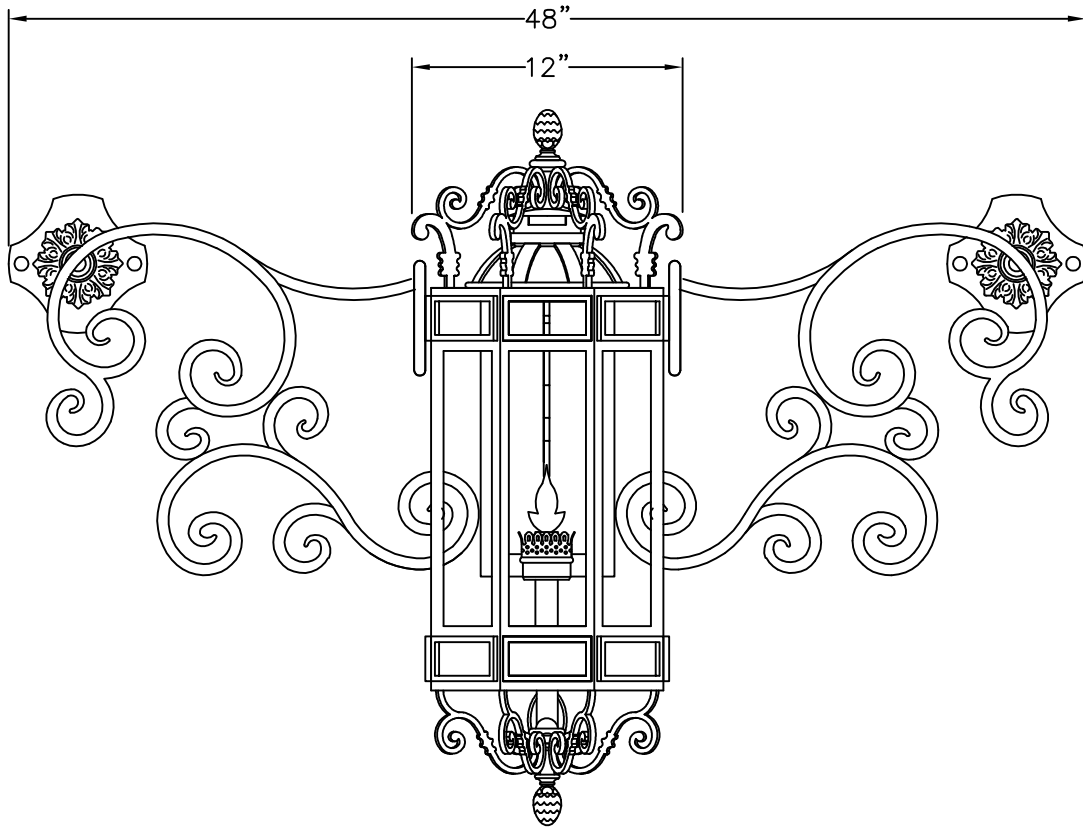
* ACTUAL DIMENSIONS MAY VARY UP TO 1/2"

CUSTOM DRAWING CHANGES:

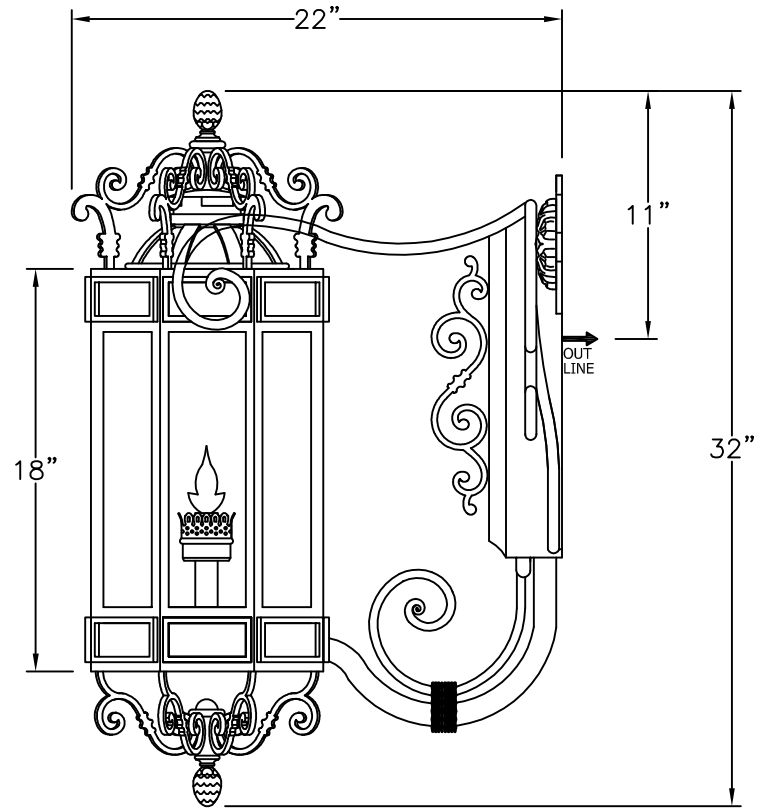
© 2010 SOLARA ENCHAINMENT
UNAUTHORIZED USE OF THIS
PLAN IS IN VIOLATION OF THE
U.S. COPYRIGHT ACT TITLE 17
OF THE U.S. CODE



DESIGN:	ALEXANDRIA
LINE:	WALL MOUNT
FILE:	F-006-01SET-EG-S100-9
DATE REV:	27-SEP-10



FRONT VIEW



SIDE VIEW

MEDIUM
 F-006-022
 48" W x 32" H x 22" D

AVAILABLE IN
 GAS & ELECTRIC
 WITH EXCEPTION
 OF SMALL SIZE

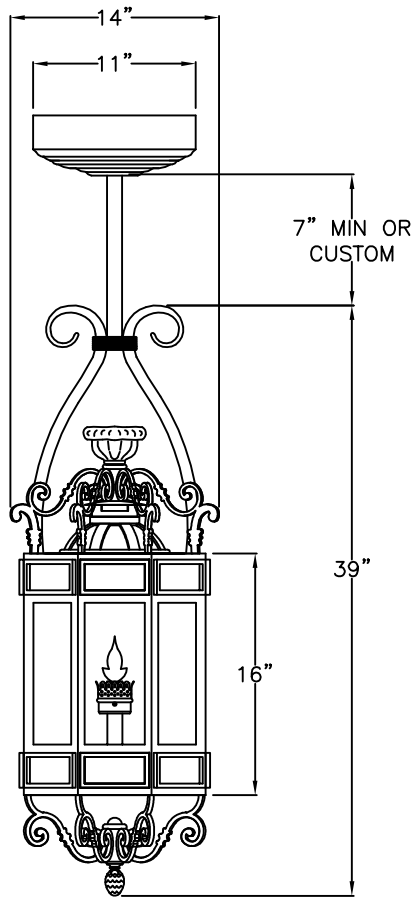
* ACTUAL DIMENSIONS MAY VARY UP TO 1/2"

CUSTOM DRAWING CHANGES:

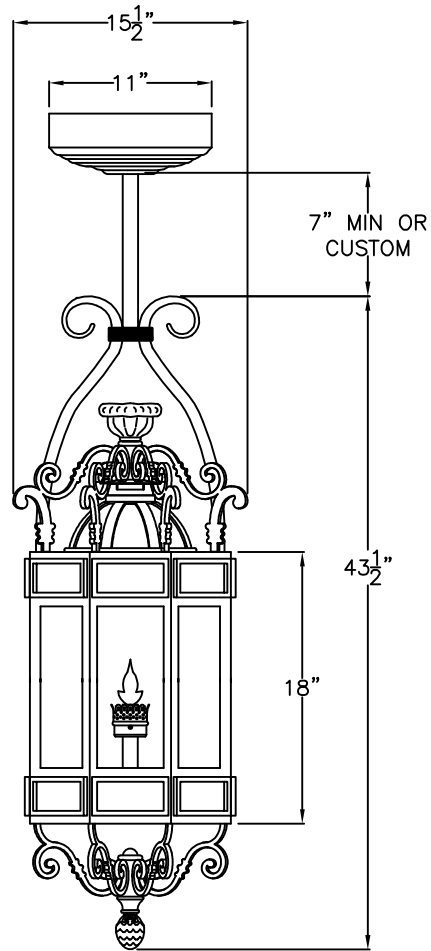
© 2010 SOLARA ENCHAINMENT
 UNAUTHORIZED USE OF THIS
 PLAN IS IN VIOLATION OF THE
 U.S. COPYRIGHT ACT TITLE 17
 OF THE U.S. CODE



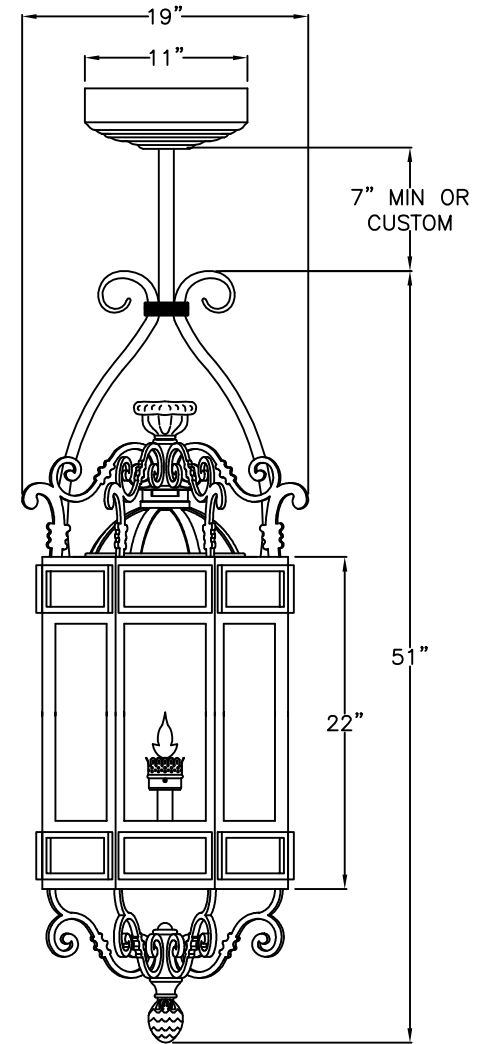
DESIGN:	ALEXANDRIA
LINE:	CENTRAL MOUNT
FILE:	F-006-022-EG-S100-7
DATE REV:	27-SEP-10



MEDIUM
F-006-032
14" W x 39" H



LARGE
F-006-033
15 1/2" W x 43 1/2" H



X LARGE
F-006-034
19" W x 51" H

AVAILABLE IN
GAS & ELECTRIC
WITH EXCEPTION
OF SMALL SIZE

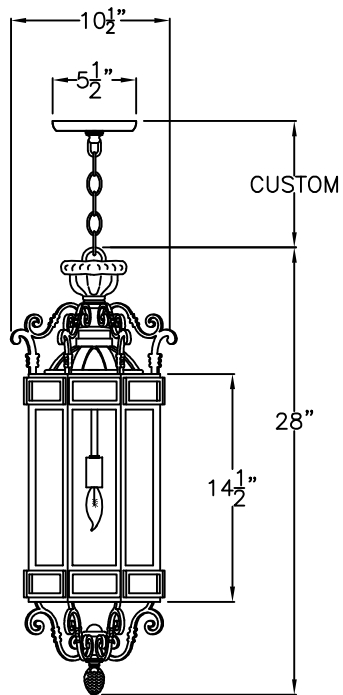
* ACTUAL DIMENSIONS MAY VARY UP TO 1/2"

CUSTOM DRAWING CHANGES:

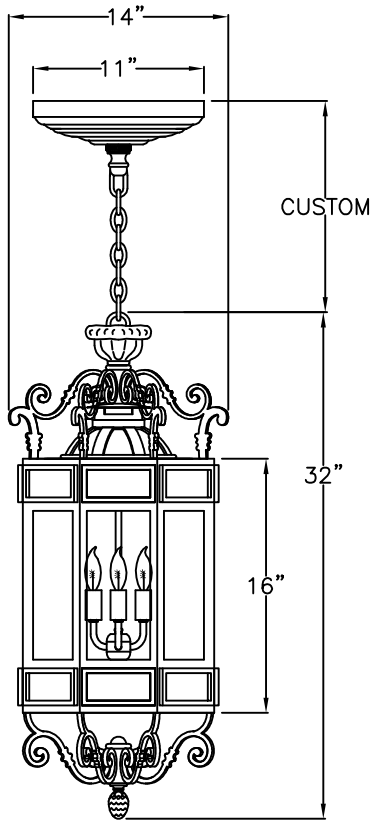
© 2010 SOLARA ENCHAINMENT
UNAUTHORIZED USE OF THIS
PLAN IS IN VIOLATION OF THE
U.S. COPYRIGHT ACT TITLE 17
OF THE U.S. CODE



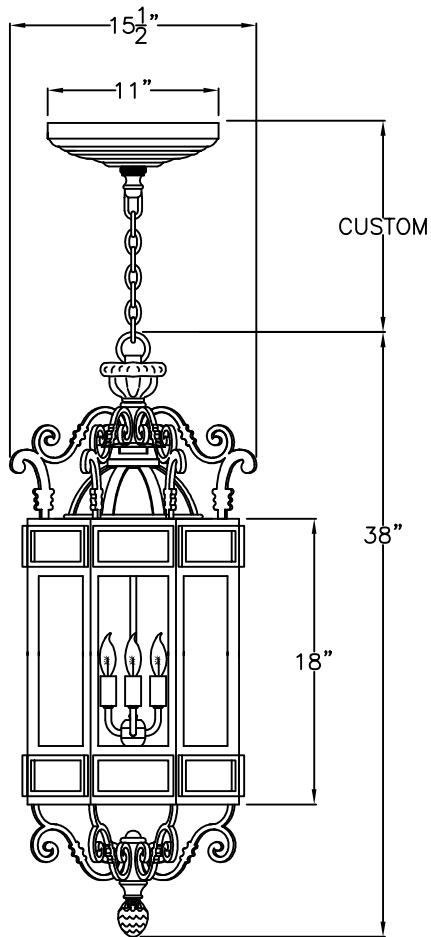
DESIGN:	ALEXANDRIA
LINE:	PENDANT STEM
FILE:	F-006-03SET-EG-S100-2
DATE REV:	27-SEP-10



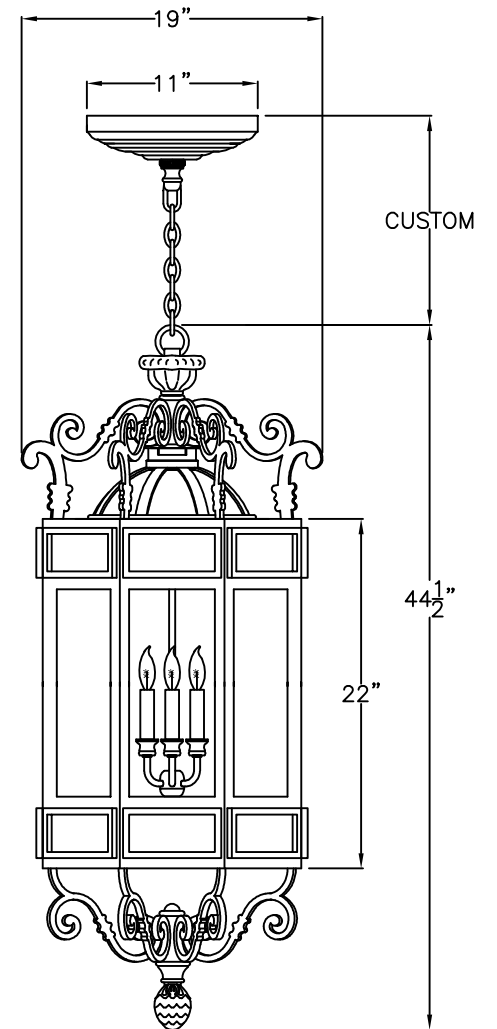
SMALL
F-006-041
10 1/2" W x 28" H



MEDIUM
F-006-042
14" W x 32" H



LARGE
F-006-043
15 1/2" W x 38" H



X LARGE
F-006-044
19" W x 44 1/2" H

ONLY AVAILABLE
IN ELECTRIC

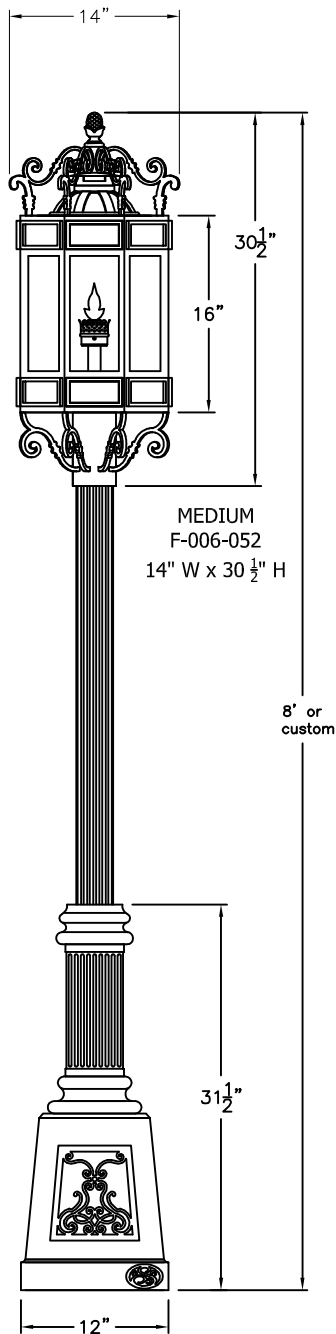
* ACTUAL DIMENSIONS MAY VARY UP TO 1/2"

CUSTOM DRAWING CHANGES:

© 2010 SOLARA ENCHAINMENT
UNAUTHORIZED USE OF THIS
PLAN IS IN VIOLATION OF THE
U.S. COPYRIGHT ACT TITLE 17
OF THE U.S. CODE

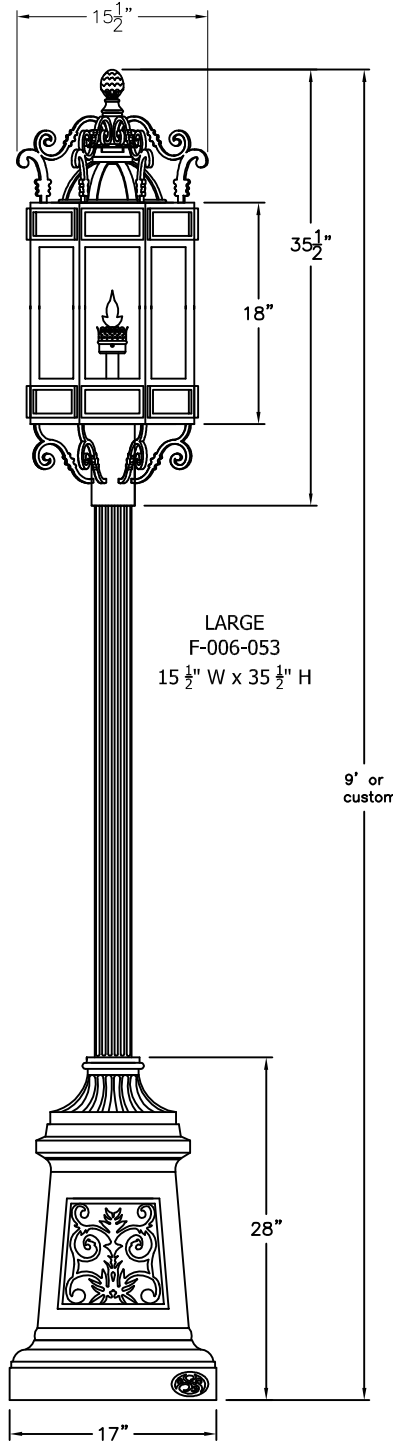


DESIGN:	ALEXANDRIA
LINE:	PENDANT CHAIN
FILE:	F-006-04SET-EL-S100-2
DATE REV:	27-SEP-10



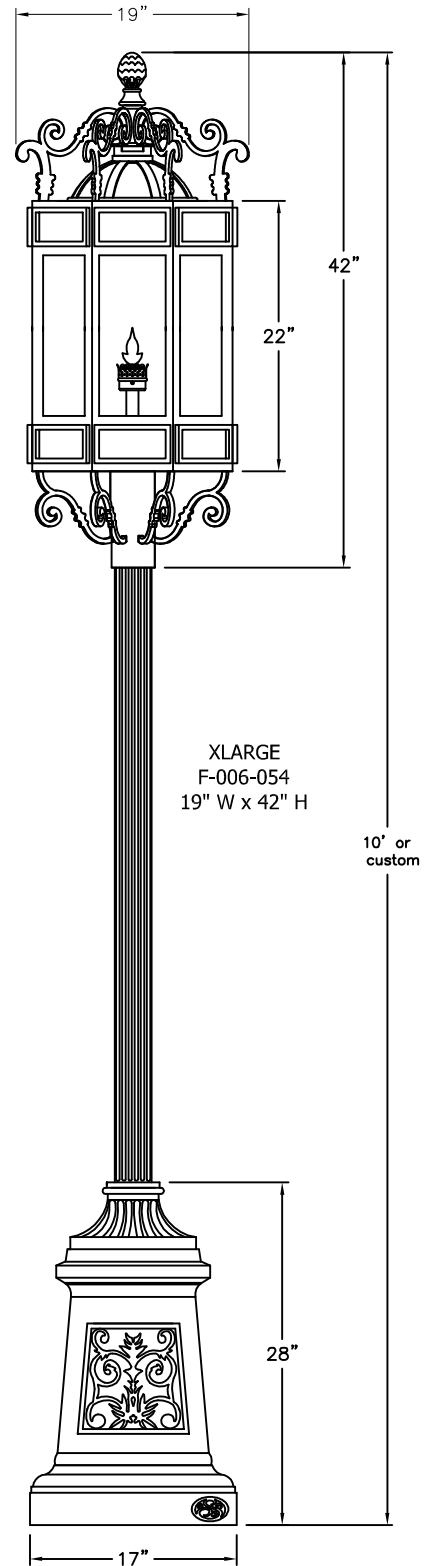
MEDIUM
F-006-052
14" W x 30 1/2" H

SOLARA BASE



LARGE
F-006-053
15 1/2" W x 35 1/2" H

MUNICH BASE



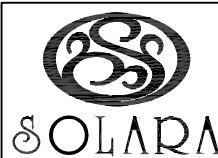
XLARGE
F-006-054
19" W x 42" H

AVAILABLE IN
GAS & ELECTRIC
WITH EXCEPTION
OF SMALL SIZE

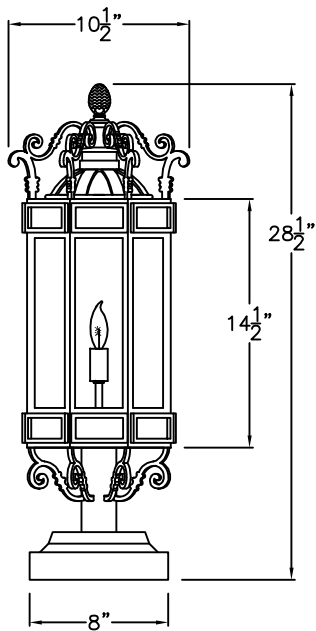
* POST ARE SOLD SEPARATELY
* ACTUAL DIMENSIONS MAY VARY UP TO 1/2"

CUSTOM DRAWING CHANGES:

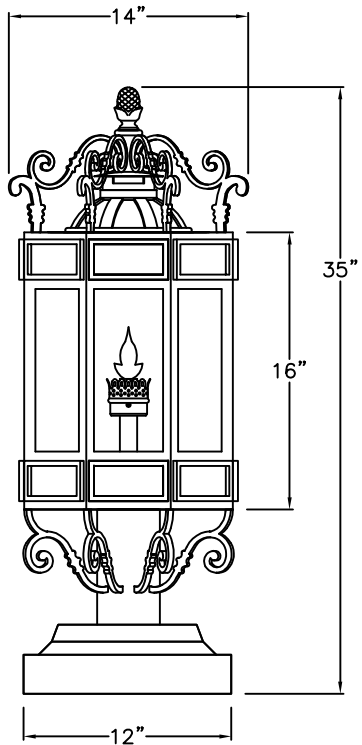
© 2010 SOLARA ENCHAINMENT
UNAUTHORIZED USE OF THIS
PLAN IS IN VIOLATION OF THE
U.S. COPYRIGHT ACT TITLE 17
OF THE U.S. CODE



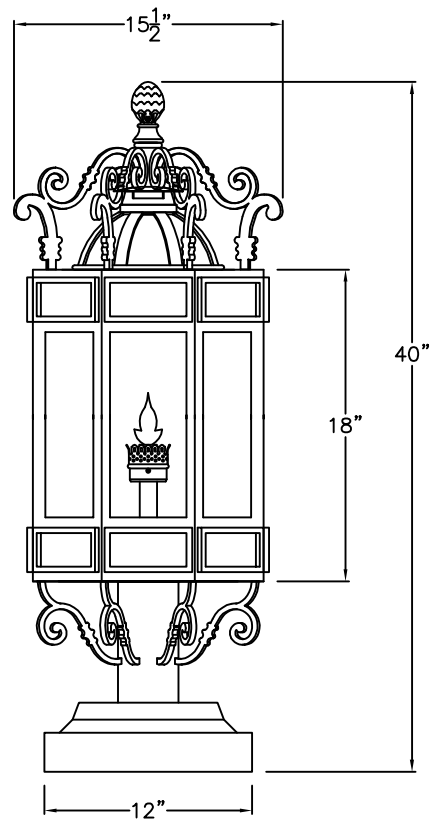
DESIGN: ALEXANDRIA
LINE: POST MOUNT
FILE: F-006-05SET-EG-S100-2
DATE REV: 27-SEP-10



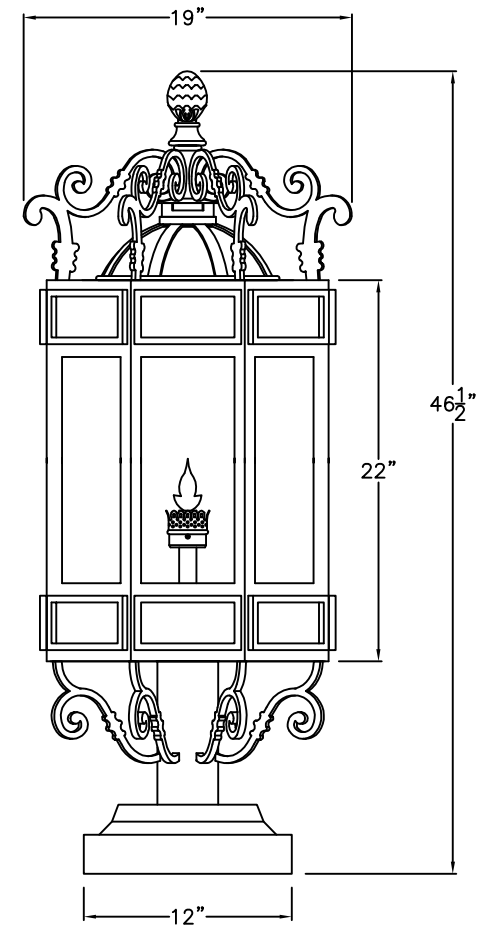
SMALL
F-006-061
10 1/2" W x 28 1/2" H



MEDIUM
F-006-062
14" W x 35" H



LARGE
F-006-063
15 1/2" W x 40" H



XLARGE
F-006-064
19" W x 46 1/2" H

AVAILABLE IN
GAS & ELECTRIC
WITH EXCEPTION
OF SMALL SIZE

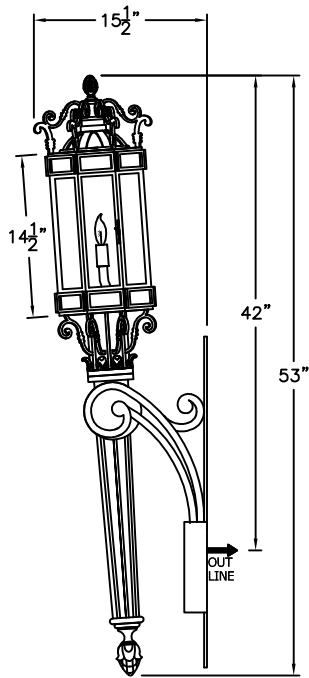
* ACTUAL DIMENSIONS MAY VARY UP TO 1/2"

CUSTOM DRAWING CHANGES:

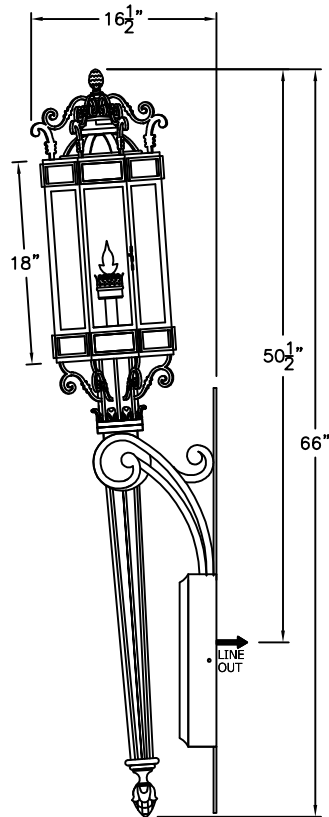
© 2010 SOLARA ENCHAINMENT
UNAUTHORIZED USE OF THIS
PLAN IS IN VIOLATION OF THE
U.S. COPYRIGHT ACT TITLE 17
OF THE U.S. CODE.



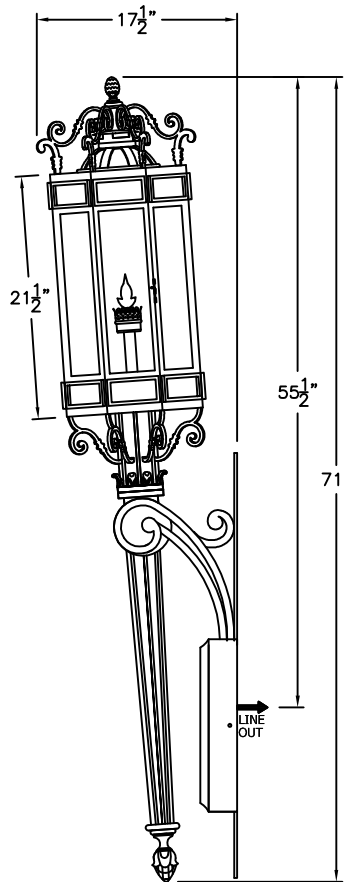
DESIGN:	ALEXANDRIA
LINE:	PIER MOUNT
FILE:	F-006-06SET-EG-S100-6
DATE REV:	27-SEP-10



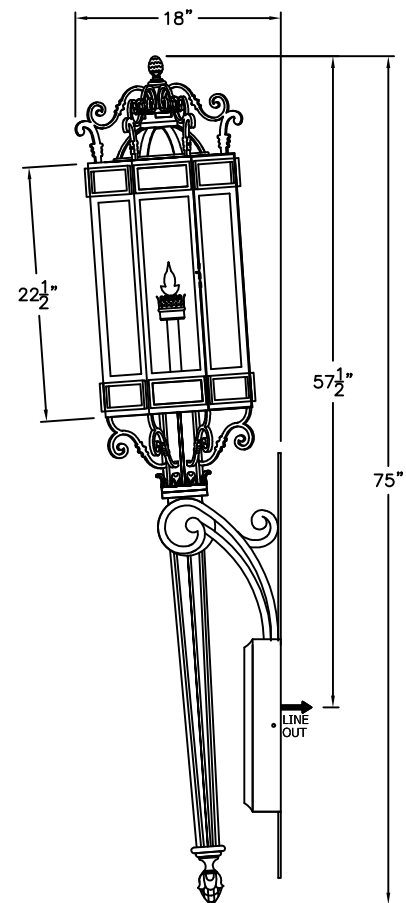
SMALL
F-006-081
10 1/2" W x 53" H x 15 1/2" D



MEDIUM
F-006-082
12" W x 66" H x 16 1/2" D



LARGE
F-006-083
14" W x 71" H x 17 1/2" D



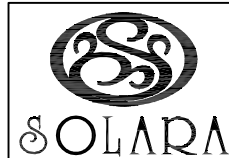
XLARGE
F-006-084
15" W x 75" H x 18" D

AVAILABLE IN
GAS & ELECTRIC
WITH EXCEPTION
OF SMALL SIZE

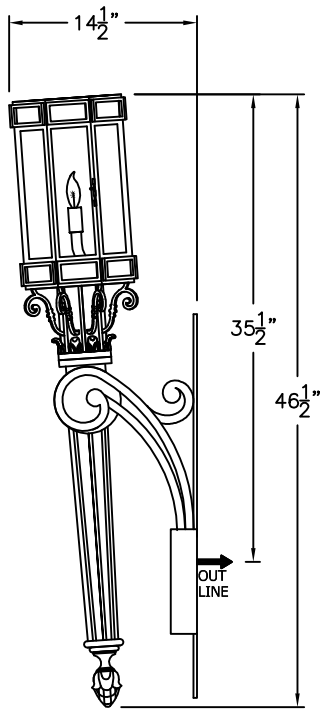
* ACTUAL DIMENSIONS MAY VARY UP TO 1/2"

CUSTOM DRAWING CHANGES:

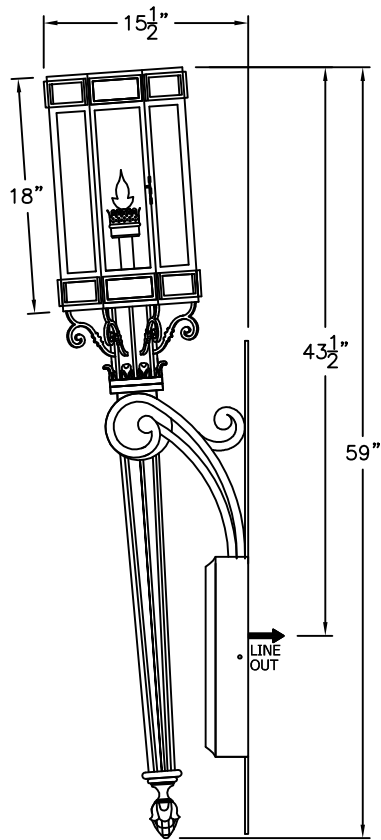
© 2010 SOLARA ENCHAINMENT
UNAUTHORIZED USE OF THIS
PLAN IS IN VIOLATION OF THE
U.S. COPYRIGHT ACT TITLE 17
OF THE U.S. CODE



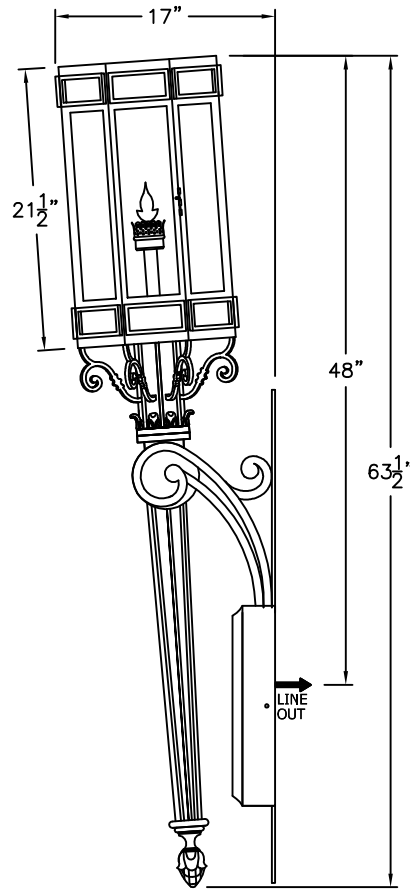
DESIGN:	ALEXANDRIA
LINE:	TORCH MOUNT
FILE:	F-006-08SET-EG-S100-2
DATE REV:	27-SEP-10



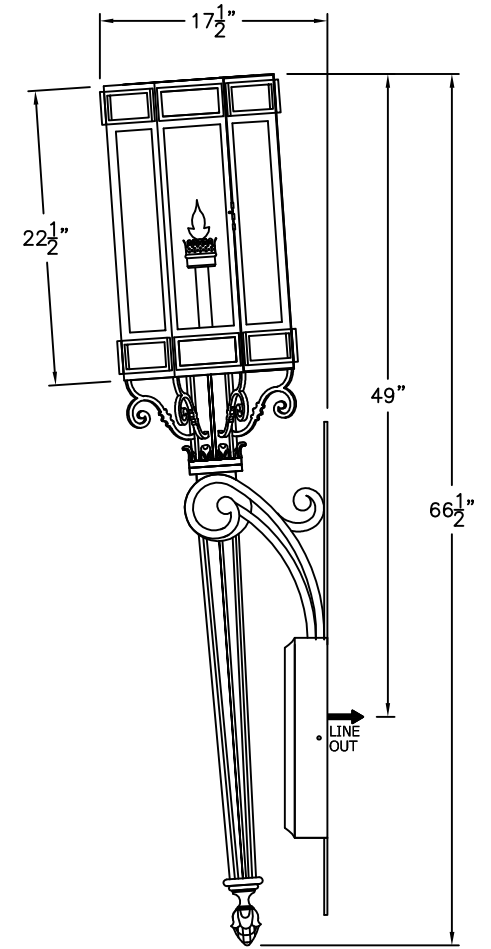
SMALL
F-006-091
9" W x 46 1/2" H x 14 1/2" D



MEDIUM
F-006-092
11" W x 59" H x 15 1/2" D



LARGE
F-006-093
12 1/2" W x 63 1/2" H x 17" D



XLARGE
F-006-094
13 1/2" W x 66 1/2" H x 17 1/2" D

AVAILABLE IN
GAS & ELECTRIC
WITH EXCEPTION
OF SMALL SIZE

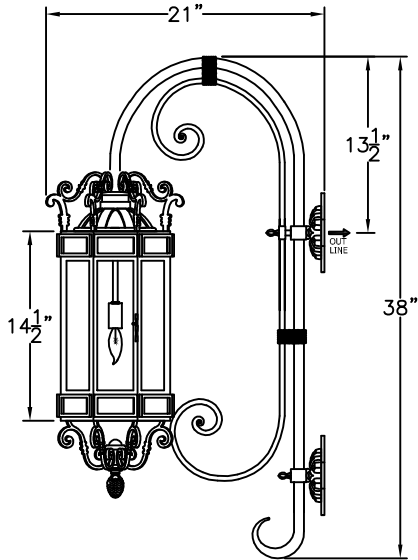
* ACTUAL DIMENSIONS MAY VARY UP TO 1/2"

CUSTOM DRAWING CHANGES:

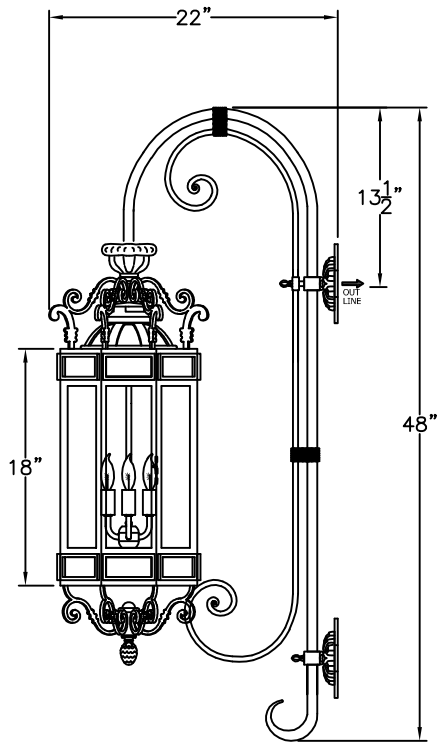
© 2010 SOLARA ENCHAINMENT
UNAUTHORIZED USE OF THIS
PLAN IS IN VIOLATION OF THE
U.S. COPYRIGHT ACT TITLE 17
OF THE U.S. CODE



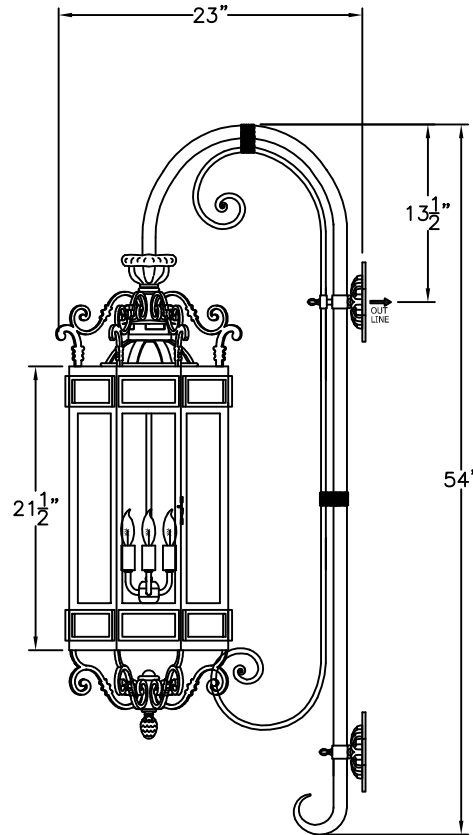
DESIGN:	ALEXANDRIA
LINE:	TORCH MOUNT
FILE:	F-006-09SET-EG-S100-2
DATE REV:	27-SEP-10



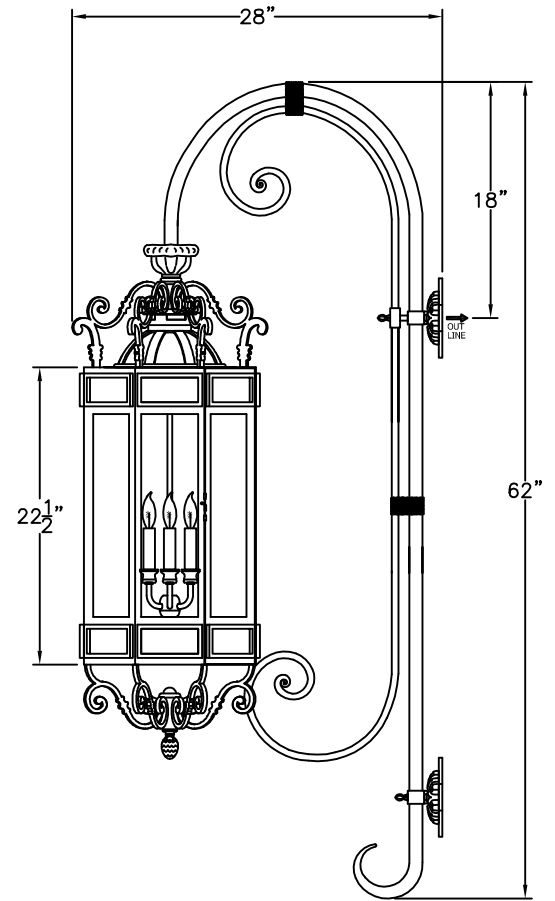
SMALL
F-006-101
10 1/2" W x 38" H x 21" D



MEDIUM
F-006-102
12" W x 48" H x 22" D



LARGE
F-006-103
14" W x 54" H x 23" D



XLARGE
F-006-104
15" W x 62" H x 28" D

ONLY AVAILABLE
IN ELECTRIC

* ACTUAL DIMENSIONS MAY VARY UP TO 1/2"

CUSTOM DRAWING CHANGES:

© 2010 SOLARA ENCHAINMENT
UNAUTHORIZED USE OF THIS
PLAN IS IN VIOLATION OF THE
U.S. COPYRIGHT ACT TITLE 17
OF THE U.S. CODE



DESIGN:	ALEXANDRIA
LINE:	HANGING BRACKET
FILE:	F-006-10SET-EL-S100-2
DATE REV:	27-SEPT-10