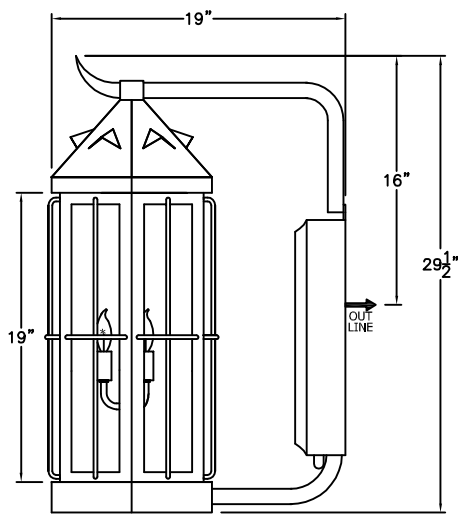
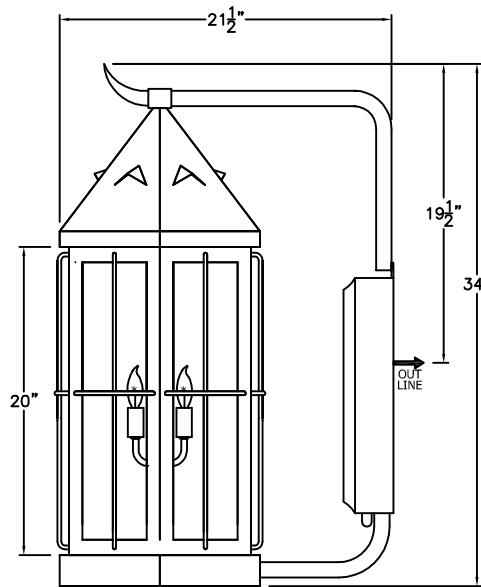


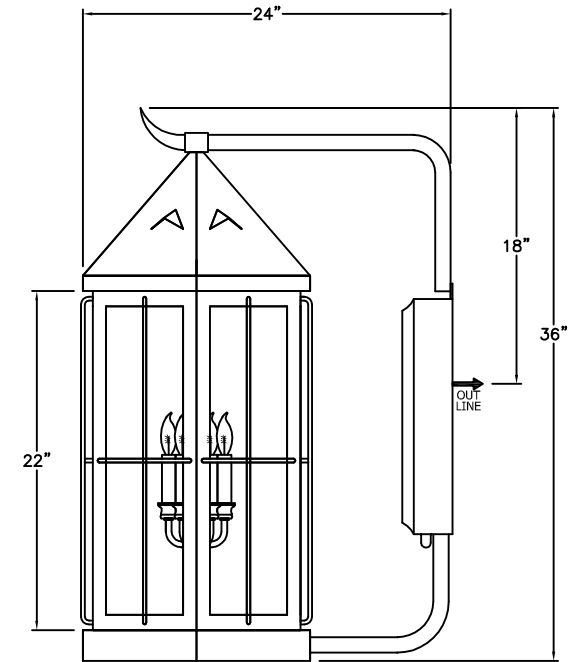
SMALL
C-004-011
9" W x 23" H x 14" D



MEDIUM
C-004-012
12" W x 29 1/2" H x 19" D



LARGE
C-004-013
15" W x 34" H x 21 1/2" D



XLARGE
C-004-014
17" W x 36" H x 24" D

AVAILABLE IN
GAS & ELECTRIC
WITH EXCEPTION
OF SMALL SIZE

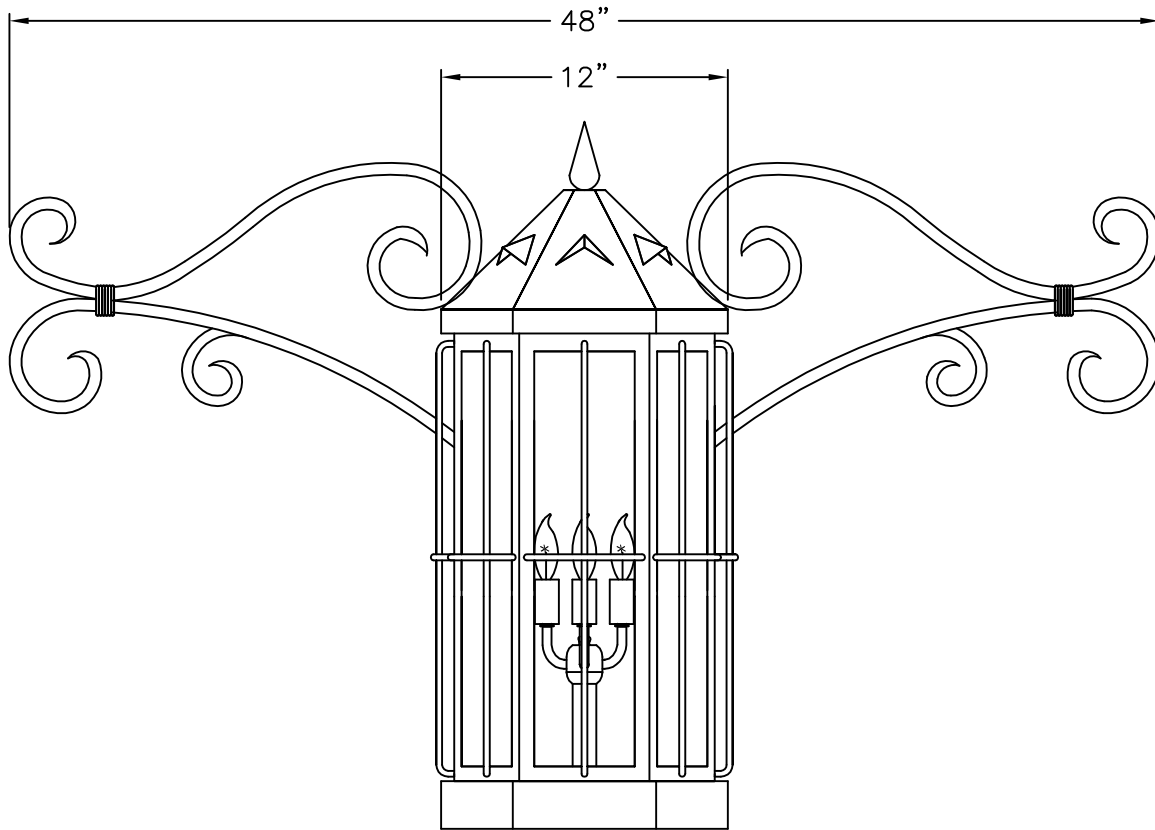
* ACTUAL DIMENSIONS MAY VARY UP TO 1/2"

CUSTOM DRAWING CHANGES:

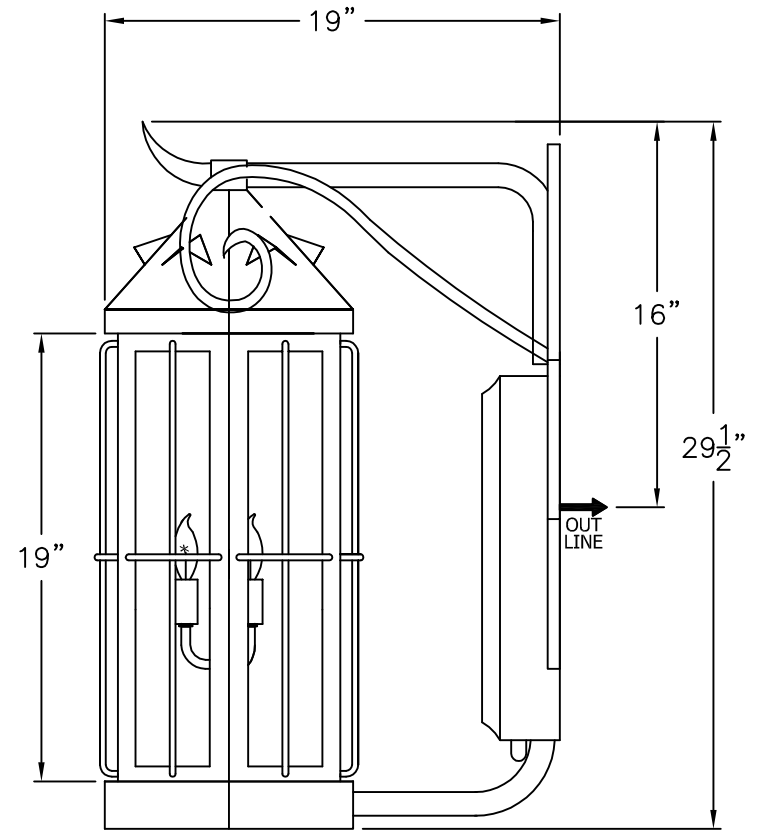
© 2010 SOLARA ENCHAINMENT
UNAUTHORIZED USE OF THIS
PLAN IS IN VIOLATION OF THE
U.S. COPYRIGHT ACT TITLE 17
OF THE U.S. CODE.



DESIGN:	SHOSA
LINE:	WALL MOUNT
FILE:	C-004-01SET-EL-S100-1
DATE REV:	24-SEP-10



FRONT VIEW



SIDE VIEW

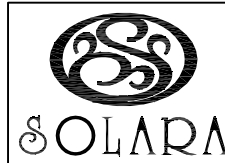
MEDIUM
 C-004-022
 48" W x 29 1/2" H x 19" D

AVAILABLE IN
 GAS & ELECTRIC
 WITH EXCEPTION
 OF SMALL SIZE

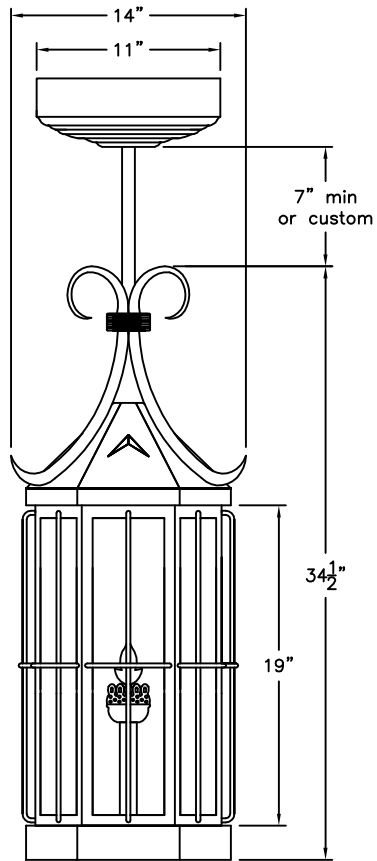
* ACTUAL DIMENSIONS MAY VARY UP TO 1/2"

CUSTOM DRAWING CHANGES:

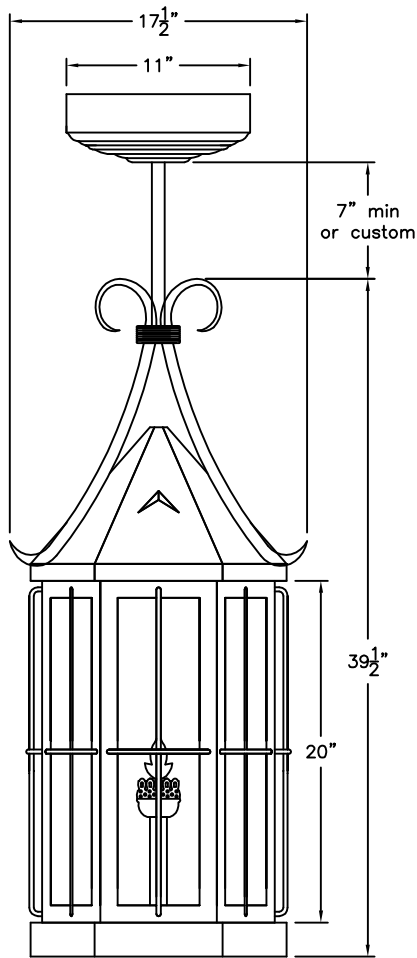
© 2010 SOLARA ENCHAINMENT
 UNAUTHORIZED USE OF THIS
 PLAN IS IN VIOLATION OF THE
 U.S. COPYRIGHT ACT TITLE 17
 OF THE U.S. CODE.



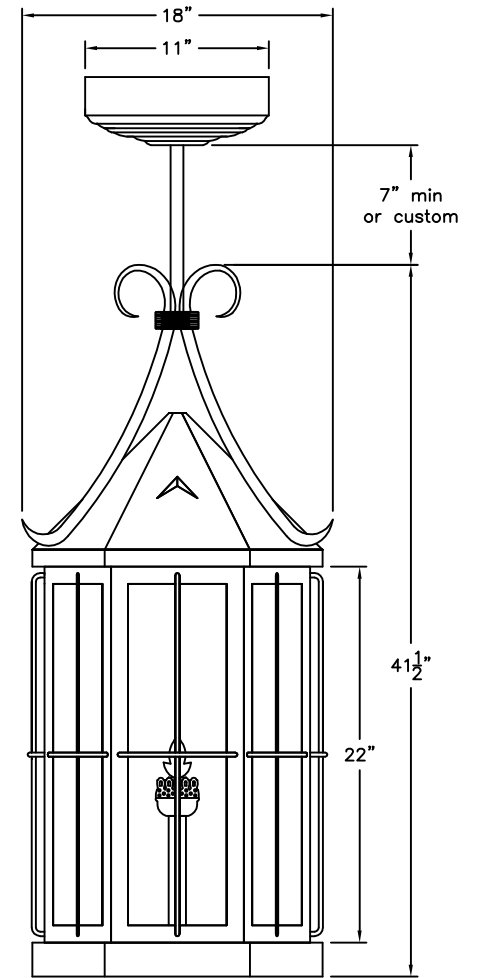
DESIGN:	SHOSA
LINE:	CENTRAL MOUNT
FILE:	C-004-022-EL-S100-1
DATE REV:	24-SEP-10



MEDIUM
C-004-032
14" W x 34 1/2" H



LARGE
C-004-033
17 1/2" W x 39 1/2" H



XLARGE
C-004-034
18" W x 41 1/2" H

AVAILABLE IN
GAS & ELECTRIC
WITH EXCEPTION
OF SMALL SIZE

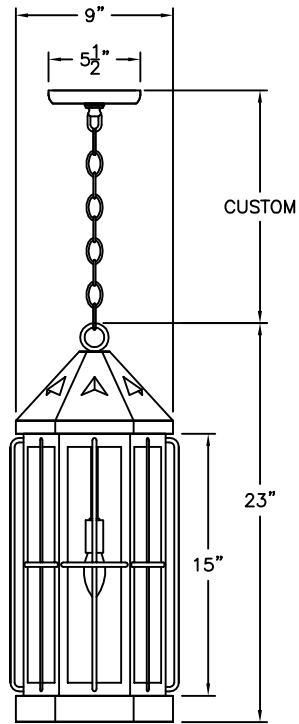
* ACTUAL DIMENSIONS MAY VARY UP TO 1/2"

CUSTOM DRAWING CHANGES:

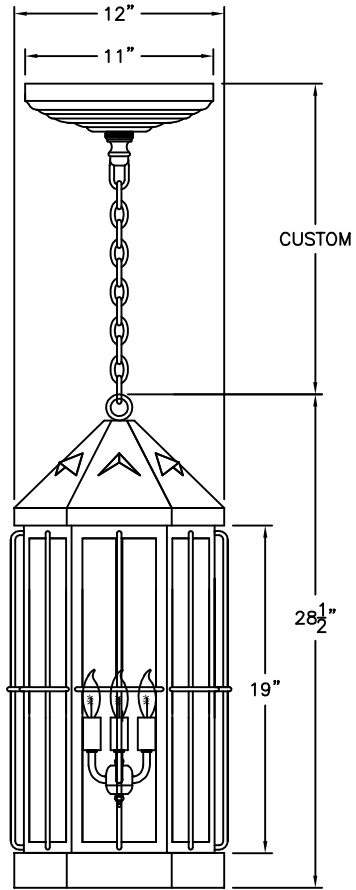
© 2010 SOLARA ENCHAINMENT
UNAUTHORIZED USE OF THIS
PLAN IS IN VIOLATION OF THE
U.S. COPYRIGHT ACT TITLE 17
OF THE U.S. CODE.



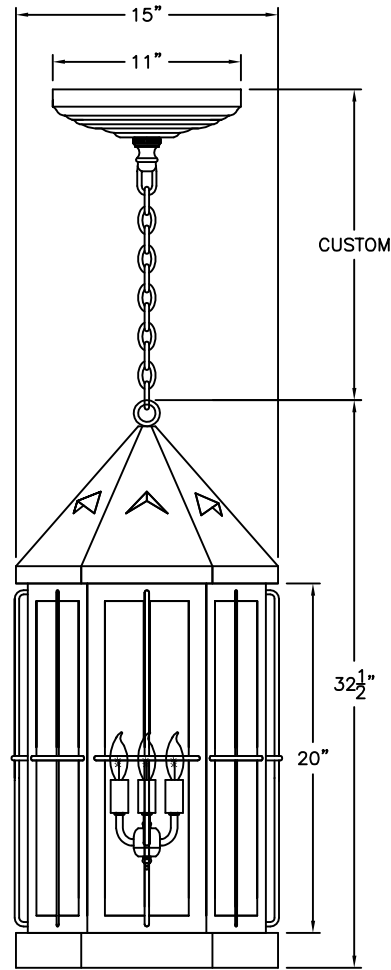
DESIGN:	SHOSA
LINE:	PENDANT STEM
FILE:	C-004-03SET-EG-S100-1
DATE REV:	24-SEP-10



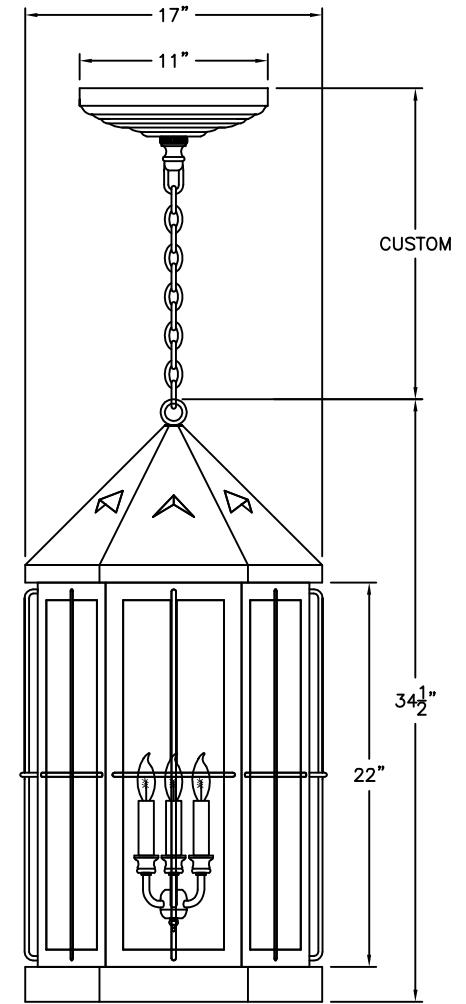
SMALL
C-004-041
9" W x 23" H



MEDIUM
C-004-042
12" W x 28 1/2" H



LARGE
C-004-043
15" W x 32 1/2" H



XLARGE
C-004-044
17" W x 34 1/2" H

ONLY AVAILABLE
IN ELECTRIC

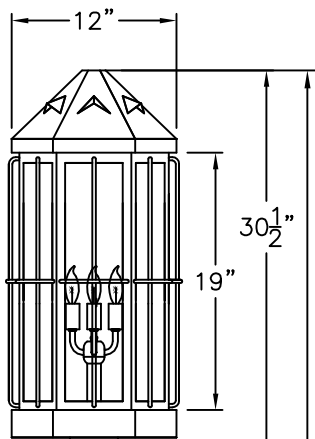
* ACTUAL DIMENSIONS MAY VARY UP TO 1/2"

CUSTOM DRAWING CHANGES:

© 2010 SOLARA ENCHAINMENT
UNAUTHORIZED USE OF THIS
PLAN IS IN VIOLATION OF THE
U.S. COPYRIGHT ACT TITLE 17
OF THE U.S. CODE.

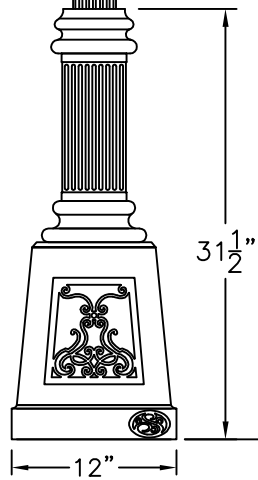


DESIGN:	SHOSA
LINE:	PENDANT CHAIN
FILE:	C-004-04SET-EL-S100-1
DATE REV:	24-SEP-10

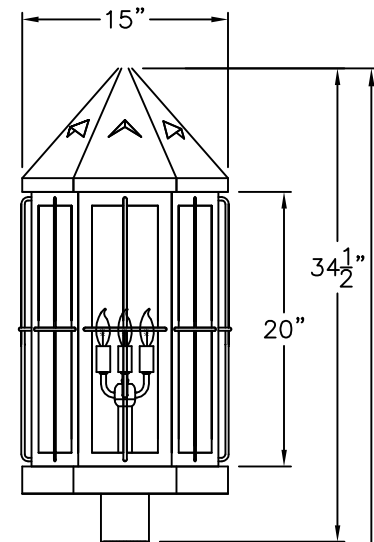


MEDIUM
C-004-052
12" W x 30 1/2" H

8' MIN or
Custom

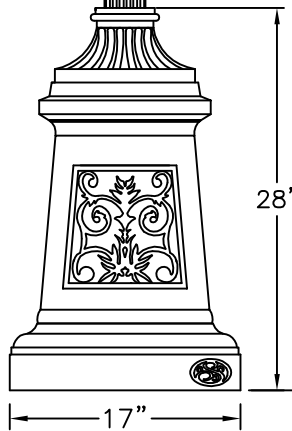


SOLARA BASE

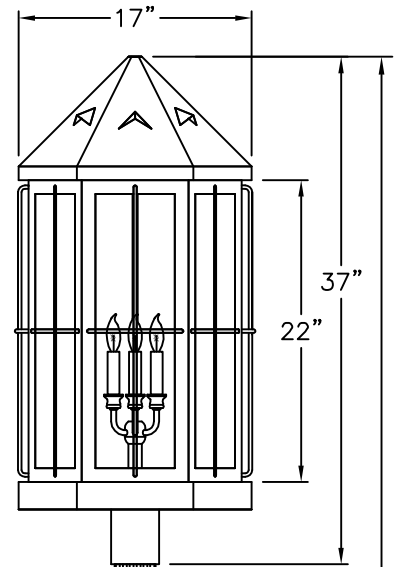


LARGE
C-004-053
15" W x 34 1/2" H

8' MIN or
Custom

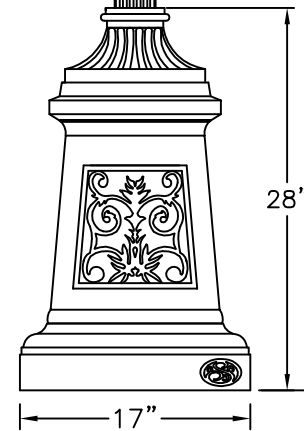


MUNICH BASE



XLARGE
C-004-054
17" W x 37" H

8' MIN or
Custom

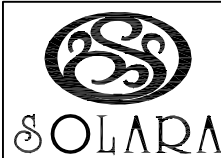


AVAILABLE IN
GAS & ELECTRIC
WITH EXCEPTION
OF SMALL SIZE

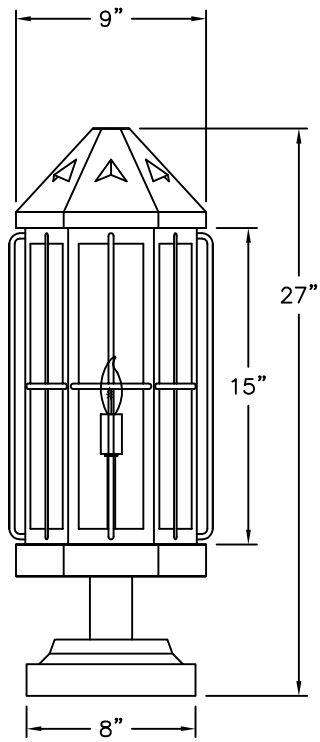
* POST ARE SOLD SEPARATELY
* ACTUAL DIMENSIONS MAY VARY UP TO 1/2"

CUSTOM DRAWING CHANGES:

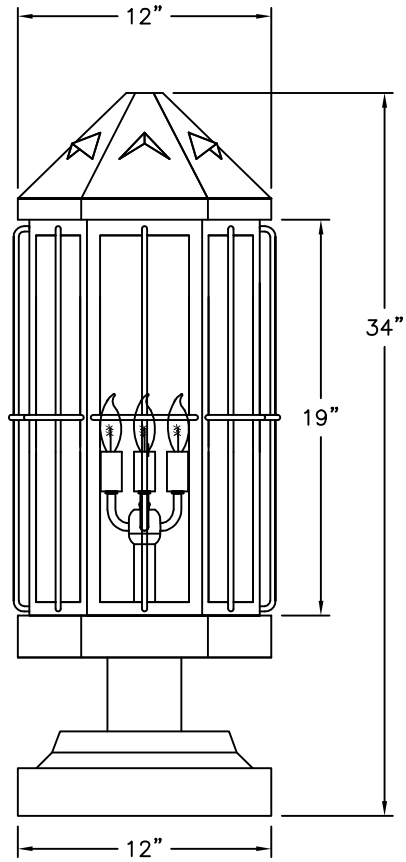
© 2010 SOLARA ENCHAINMENT
UNAUTHORIZED USE OF THIS
PLAN IS IN VIOLATION OF THE
U.S. COPYRIGHT ACT TITLE 17
OF THE U.S. CODE.



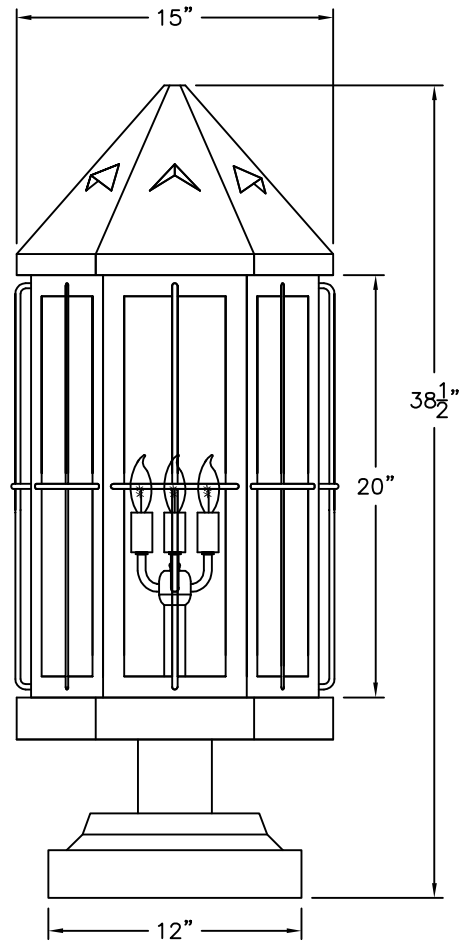
DESIGN:	SHOSA
LINE:	POST MOUNT
FILE:	C-004-05SET-EL-S100-1
DATE REV:	24-SEP-10



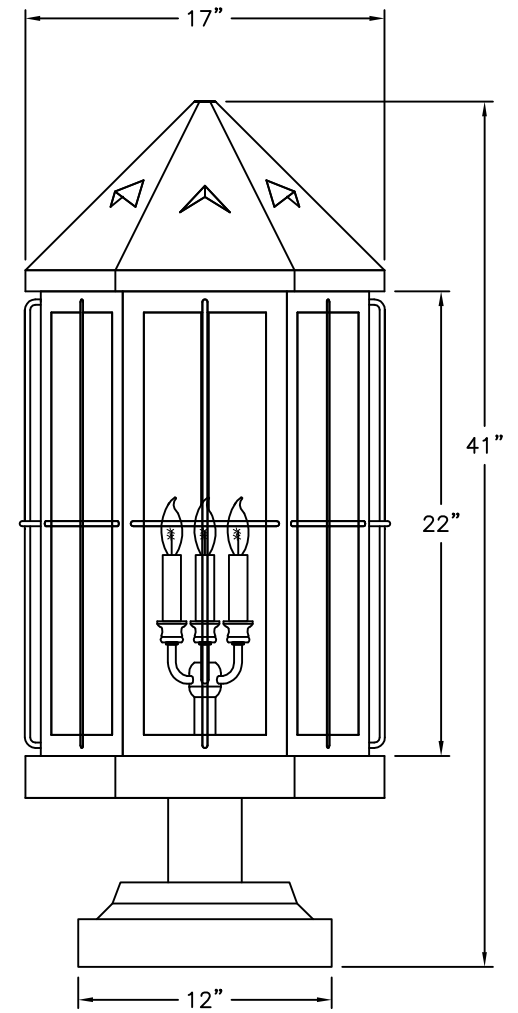
SMALL
C-004-061
9" W x 27" H



MEDIUM
C-004-062
12" W x 34" H



LARGE
C-004-063
15" W x 38 1/2" H



XLARGE
C-004-064
17" W x 41" H

ONLY AVAILABLE
IN ELECTRIC

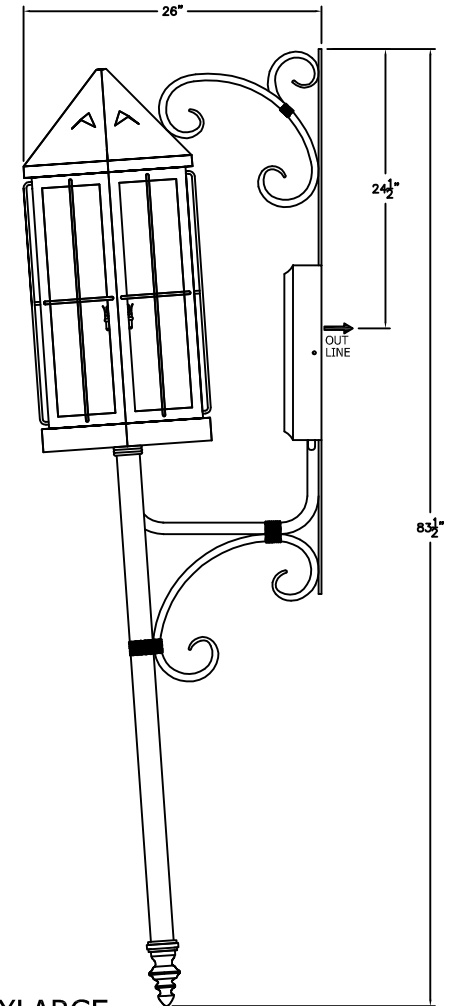
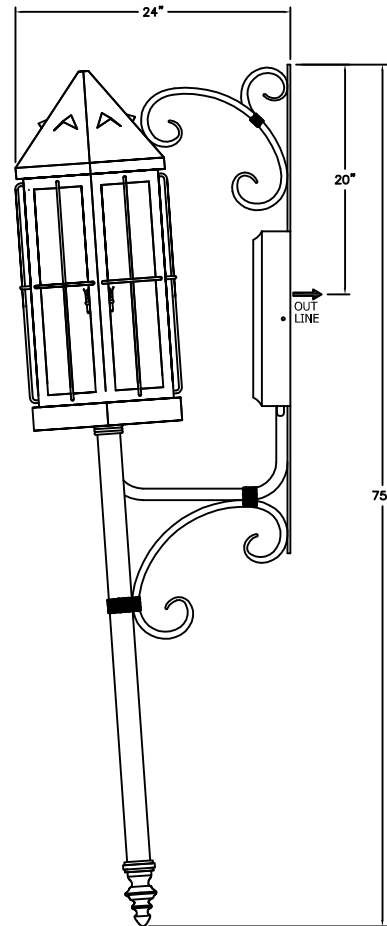
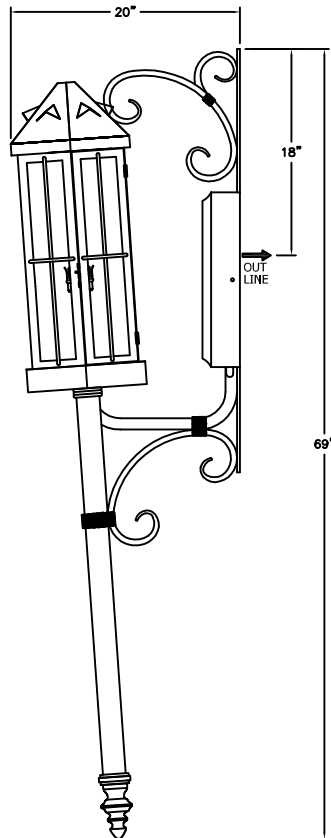
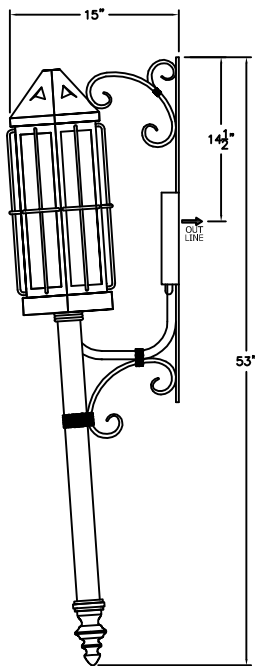
* ACTUAL DIMENSIONS MAY VARY UP TO 1/2"

CUSTOM DRAWING CHANGES:

© 2010 SOLARA ENCHAINMENT
UNAUTHORIZED USE OF THIS
PLAN IS IN VIOLATION OF THE
U.S. COPYRIGHT ACT TITLE 17
OF THE U.S. CODE.



DESIGN:	SHOSA
LINE:	PIER MOUNT
FILE:	C-004-06SET-EL-S100-1
DATE REV:	24-SEP-10



SMALL
C-004-081
9" W X 53" H X 15" D

MEDIUM
C-004-082
12" W X 69" H X 20" D

LARGE
C-004-083
15" W X 75" H X 24" D

XLARGE
C-004-084
17" W X 83 $\frac{1}{2}$ " H X 26" D

AVAILABLE IN
GAS & ELECTRIC
WITH EXCEPTION
OF SMALL SIZE

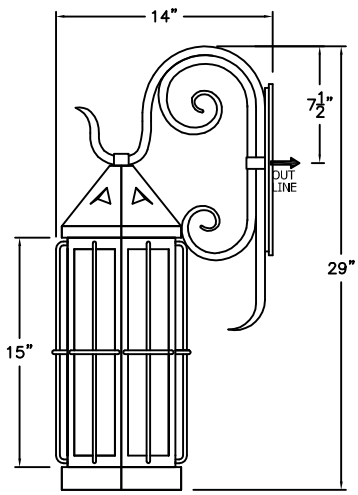
* ACTUAL DIMENSIONS MAY VARY UP TO 1/2"

CUSTOM DRAWING CHANGES:

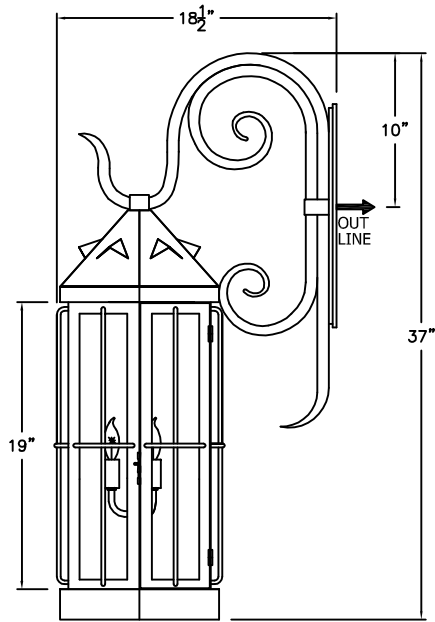
© 2011 SOLARA ENCHAINMENT
UNAUTHORIZED USE OF THIS
PLAN IS IN VIOLATION OF THE
U.S. COPYRIGHT ACT TITLE 17
OF THE U.S. CODE.



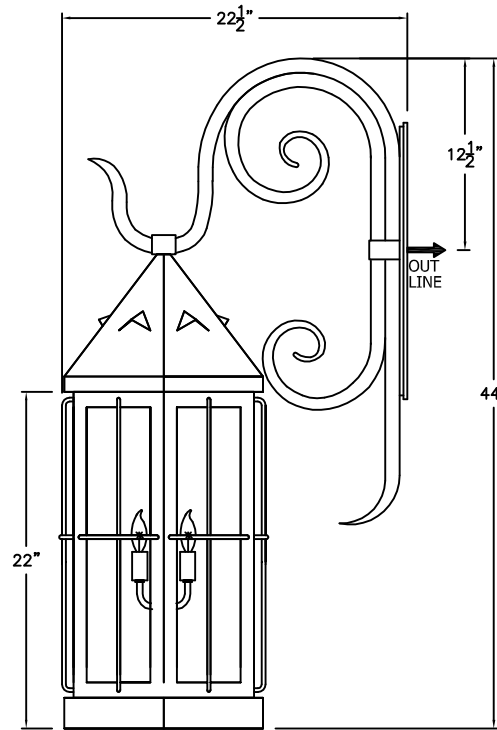
DESIGN:	SHOSA
LINE:	TORCH MOUNT
FILE:	C-004-08SET-EG-S100-1
DATE REV:	24-FEB-11



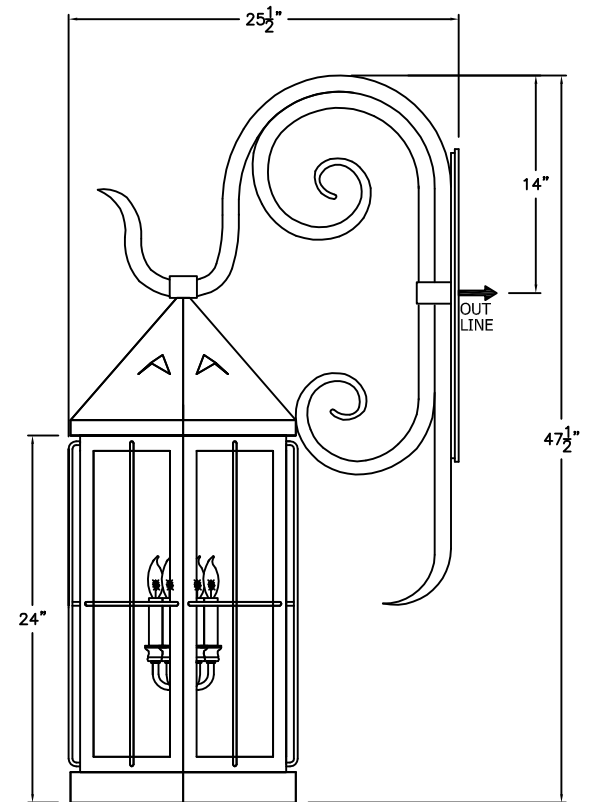
SMALL
C-004-101
9" W X 29" H X 14" D



MEDIUM
C-004-102
12" W X 37" H X 18 1/2" D



LARGE
C-004-103
15" W X 44" H X 22 1/2" D



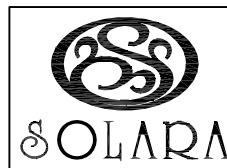
XLARGE
C-004-104
17" W X 47 1/2" H X 25 1/2" D

ONLY AVAILABLE
IN ELECTRIC

* ACTUAL DIMENSIONS MAY VARY UP TO 1/2"

CUSTOM DRAWING CHANGES:

© 2011 SOLARA ENCHAINMENT
UNAUTHORIZED USE OF THIS
PLAN IS IN VIOLATION OF THE
U.S. COPYRIGHT ACT TITLE 17
OF THE U.S. CODE.



DESIGN:	SHOSA
LINE:	HANGING BRACKET
FILE:	C-004-10SET-EL-S100-1
DATE REV:	25-FEB-11