



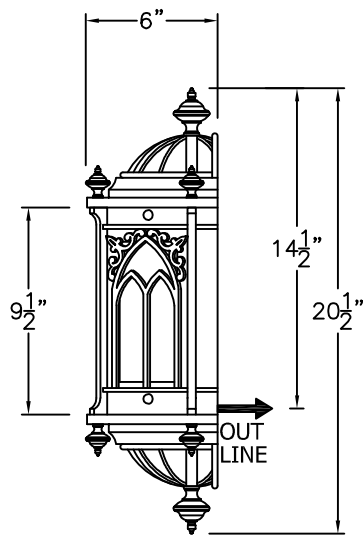
SOLARA

Iron Doors & Lighting

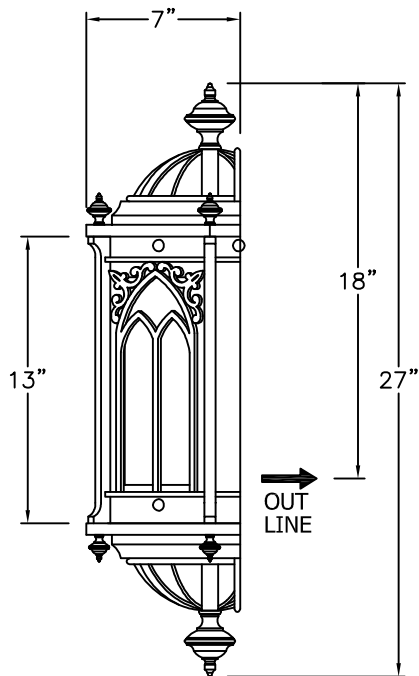


Barcelona - F005

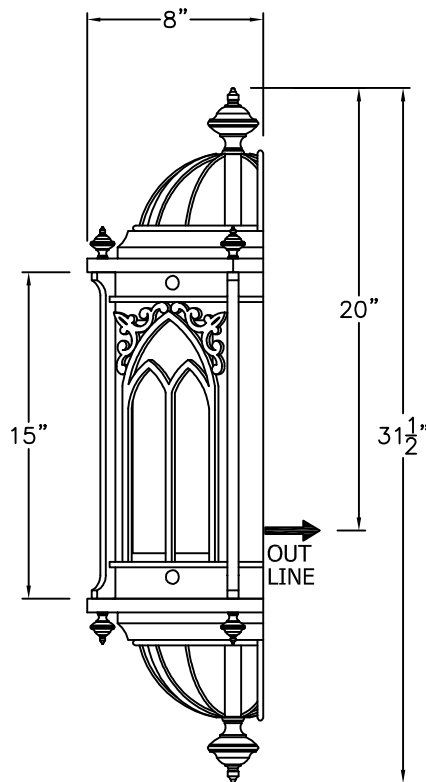




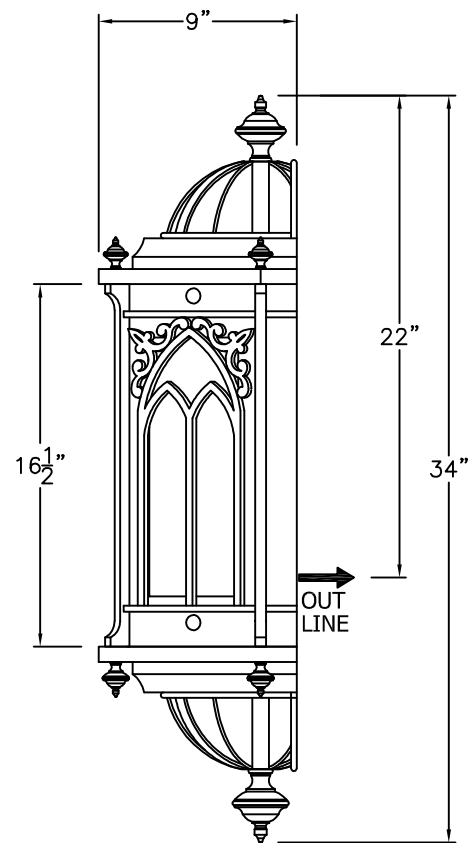
SMALL
F-005-001
11" W X 20 $\frac{1}{2}$ " H X 6" D



MEDIUM
F-005-002
13" W X 27" H X 7" D



LARGE
F-005-003
15 $\frac{1}{2}$ " W X 31 $\frac{1}{2}$ " H X 8" D



X-LARGE
F-005-004
17" W X 34" H X 9" D

ONLY AVAILABLE
IN ELECTRIC

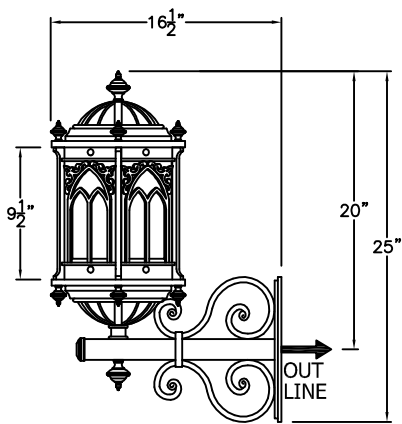
* ACTUAL DIMENSIONS MAY VARY UP TO 1/2"

CUSTOM DRAWING CHANGES:

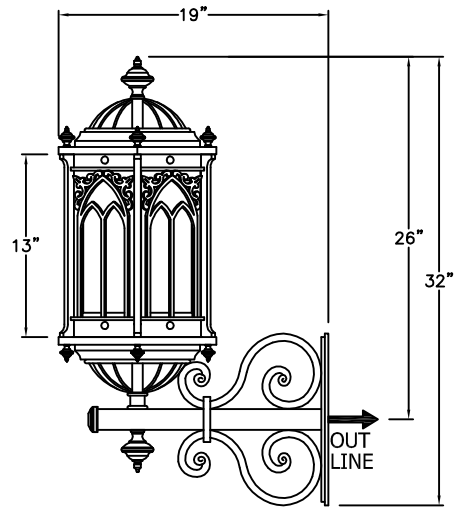
© 2012 SOLARA ENCHAINMENT
UNAUTHORIZED USE OF THIS
PLAN IS IN VIOLATION OF THE
U.S. COPYRIGHT ACT TITLE 17
OF THE U.S. CODE.



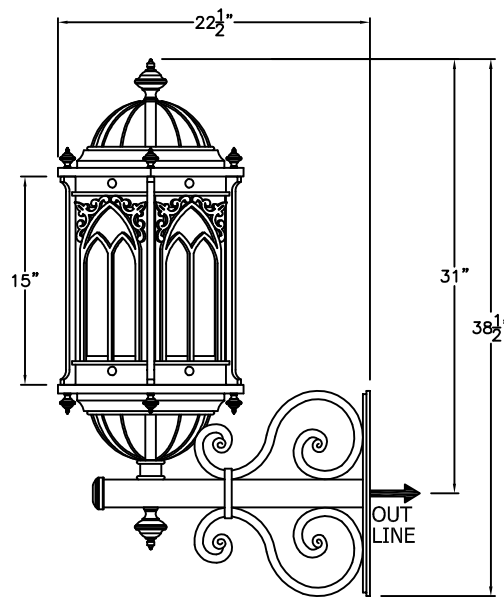
DESIGN:	BARCELONA
LINE:	SCONCE MOUNT
FILE:	F-005-00SET-EL-S100-1
DATE REV:	21-MAY-12



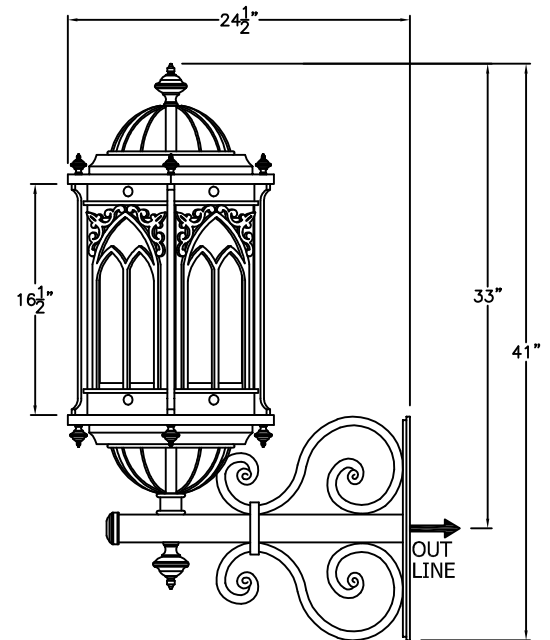
SMALL
F-005-011
11" W X 25" H X 16 1/2" D



MEDIUM
F-005-012
13" W X 32" H X 19" D



LARGE
F-005-013
15 1/2" W X 38 1/2" H X 22 1/2" D



X-LARGE
F-005-014
17" W X 41" H X 24 1/2" D

ONLY AVAILABLE
IN ELECTRIC

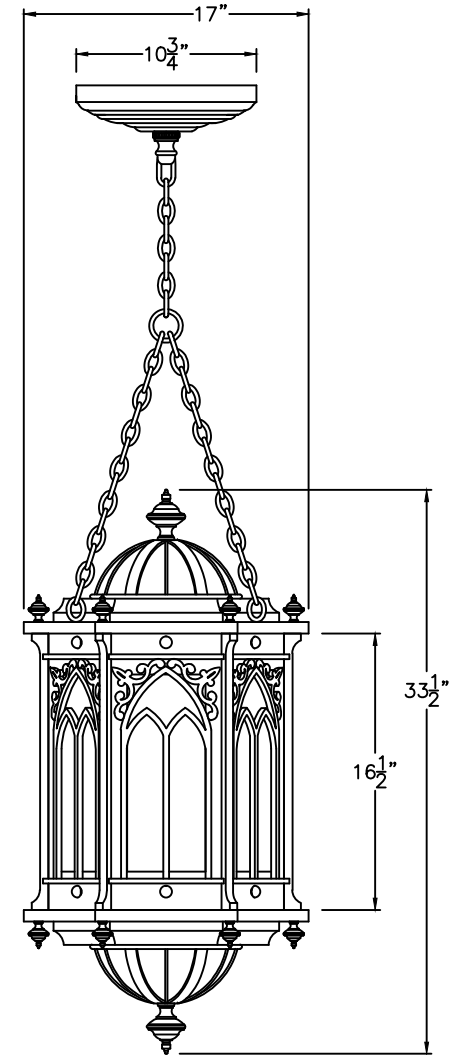
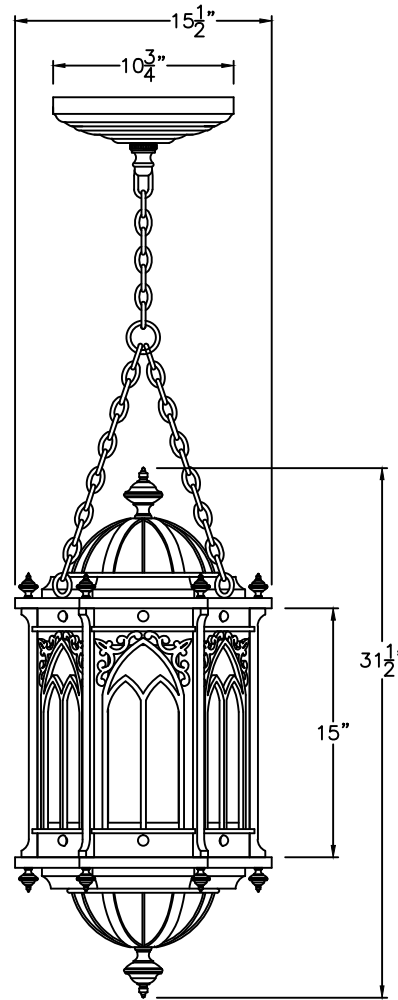
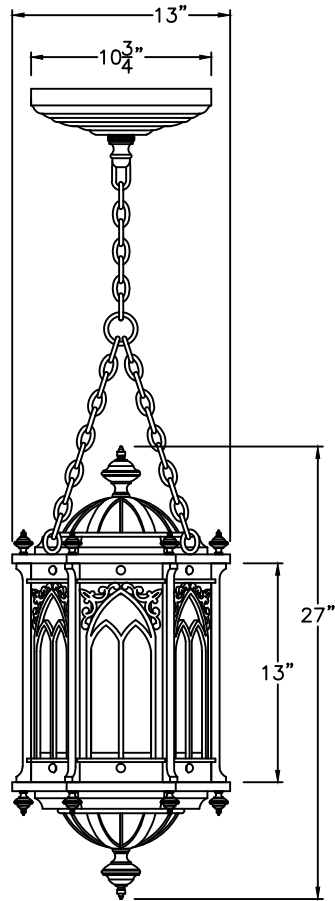
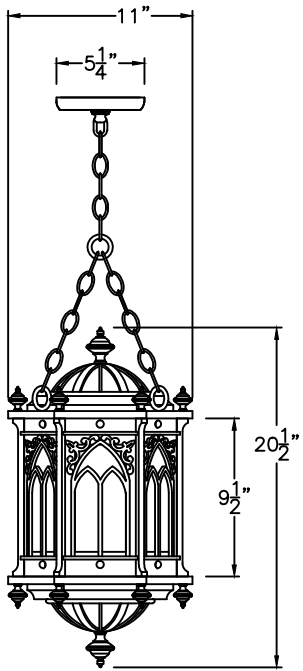
* ACTUAL DIMENSIONS MAY VARY UP TO 1/2"

CUSTOM DRAWING CHANGES:

© 2012 SOLARA ENCHAINMENT
UNAUTHORIZED USE OF THIS
PLAN IS IN VIOLATION OF THE
U.S. COPYRIGHT ACT TITLE 17
OF THE U.S. CODE.



DESIGN:	BARCELONA
LINE:	WALL MOUNT
FILE:	F-005-01SET-EL-S100-1
DATE REV:	17-JULY-12



SMALL
F-005-041

11" W X 20 1/2" H x 9 1/2" D

MEDIUM
F-005-042

13" W X 27" H x 11 1/2" D

LARGE
F-005-043

15 1/2" W X 31 1/2" H x 13 1/2" D

X-LARGE
F-005-044

17" W X 33 1/2" H x 14 1/2" D

ONLY AVAILABLE
IN ELECTRIC

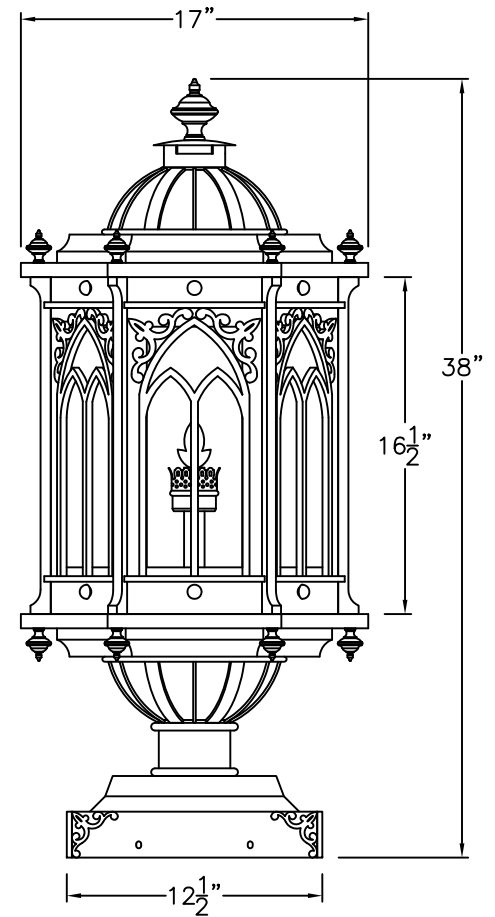
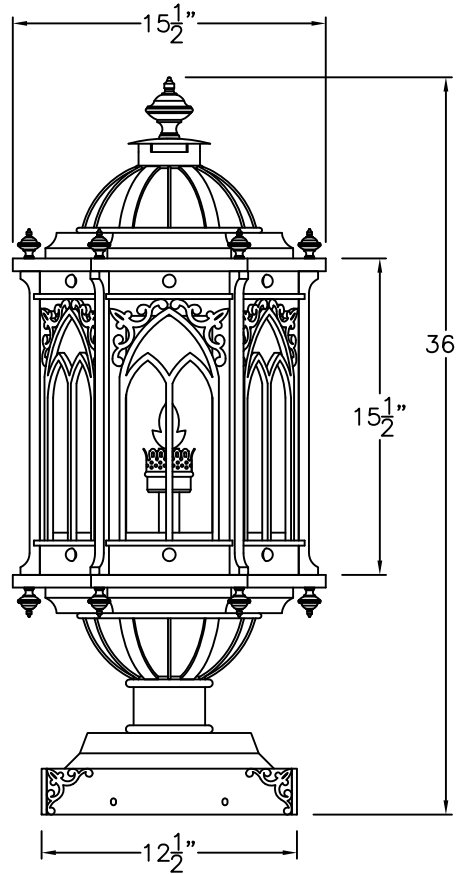
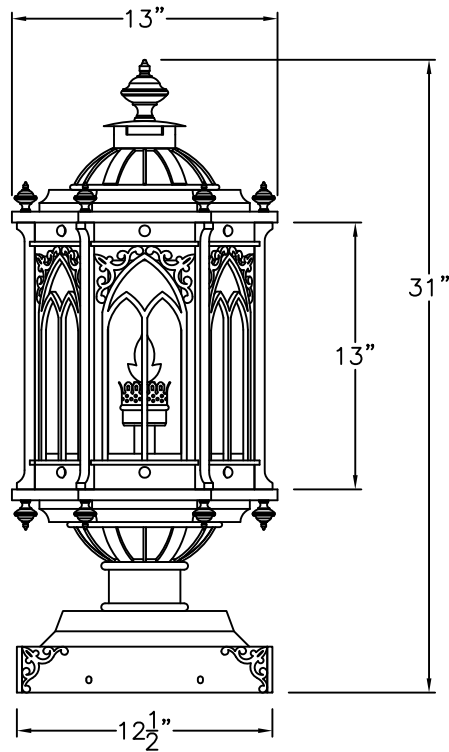
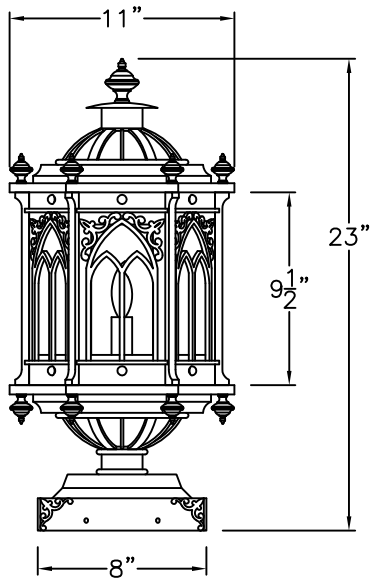
* ACTUAL DIMENSIONS MAY VARY UP TO 1/2"

CUSTOM DRAWING CHANGES:

© 2012 SOLARA ENCHAINMENT
UNAUTHORIZED USE OF THIS
PLAN IS IN VIOLATION OF THE
U.S. COPYRIGHT ACT TITLE 17
OF THE U.S. CODE.



DESIGN:	BARCELONA
LINE:	PENDANT CHAIN
FILE:	F-005-04SET-EL-S100-1
DATE REV:	19-JAN-12



SMALL
F-005-061

11" W X 23" H X 9 $\frac{1}{2}$ " D

MEDIUM
F-005-062

13" W X 31" H X 12 $\frac{1}{2}$ " D

LARGE
F-005-063

15 $\frac{1}{2}$ " W X 36" H X 13 $\frac{1}{2}$ " D

X-LARGE
F-005-064

17" W X 38" H X 14 $\frac{1}{2}$ " D

AVAILABLE IN
GAS & ELECTRIC
WITH EXCEPTION
OF SMALL SIZE

* ACTUAL DIMENSIONS MAY VARY UP TO 1/2"

CUSTOM DRAWING CHANGES:

© 2013 SOLARA ENCHAINMENT
UNAUTHORIZED USE OF THIS
PLAN IS IN VIOLATION OF THE
U.S. COPYRIGHT ACT TITLE 17
OF THE U.S. CODE.



DESIGN:	BARCELONA
LINE:	PIER MOUNT
FILE:	F-005-06SET-EG-S100-1
DATE REV:	09-DEC-13