



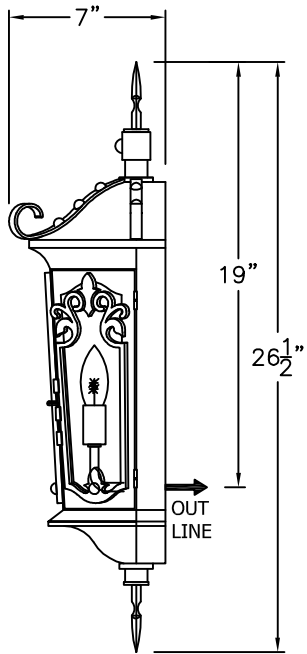
SOLARA

Iron Doors & Lighting

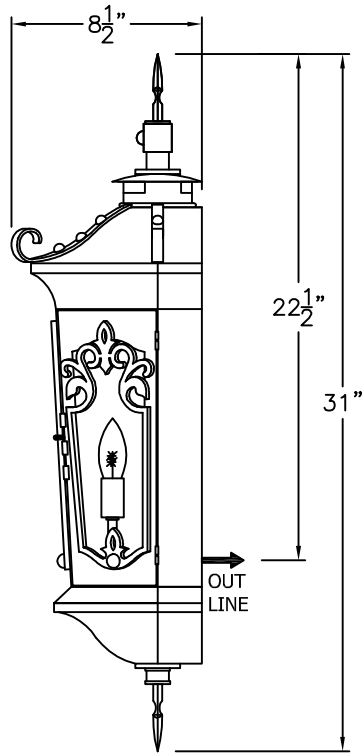


Valentia - C007

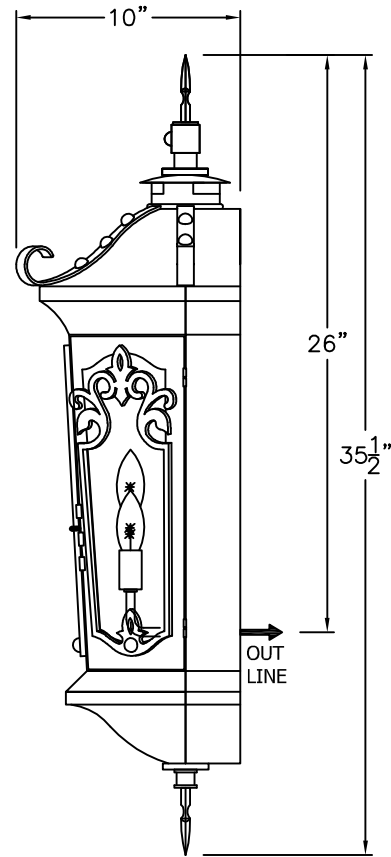




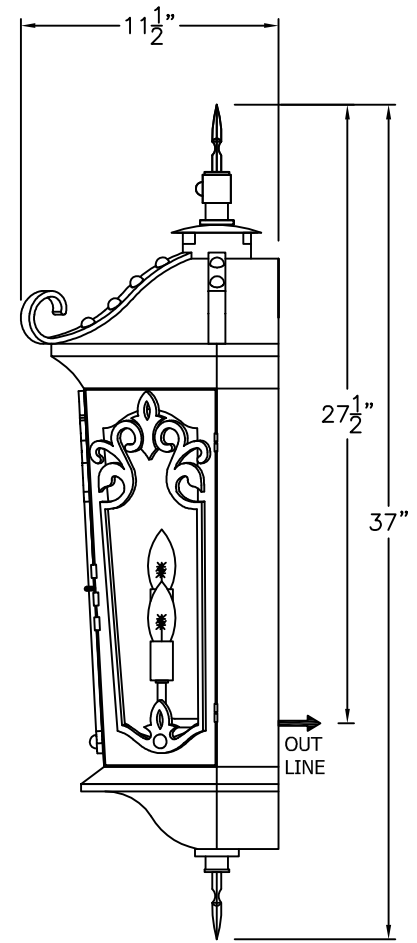
SMALL
C-007-001
13" W x 26 1/2" H x 7" D



MEDIUM
C-007-002
15" W x 31" H x 8 1/2" D



LARGE
C-007-003
17" W x 35 1/2" H x 10"



XLARGE
C-007-004
20" W x 37" H x 11 1/2" D

ONLY AVAILABLE
IN ELECTRIC

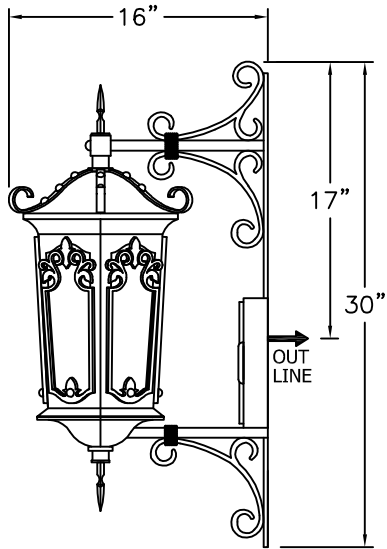
* ACTUAL DIMENSIONS MAY VARY UP TO 1/2"

CUSTOM DRAWING CHANGES:

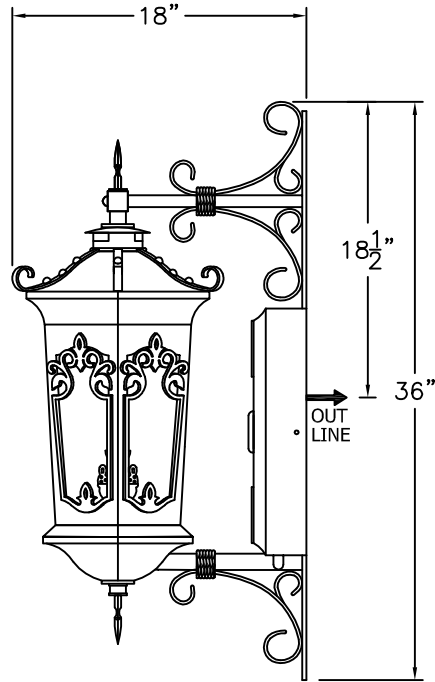
© 2011 SOLARA ENCHAINMENT
UNAUTHORIZED USE OF THIS
PLAN IS IN VIOLATION OF THE
U.S. COPYRIGHT ACT TITLE 17
OF THE U.S. CODE.



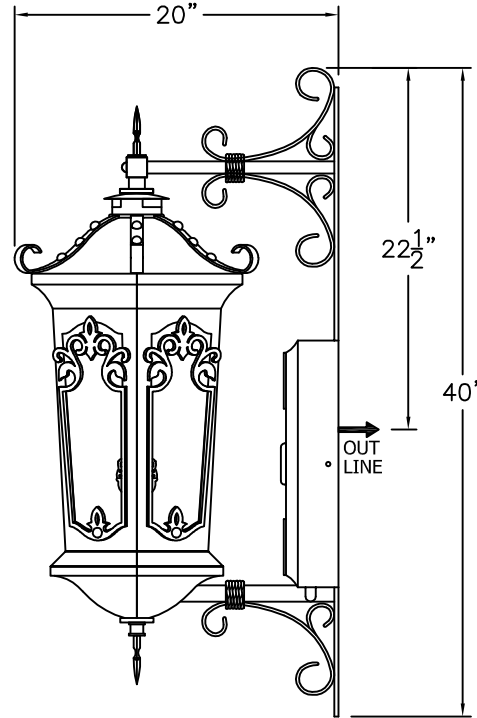
DESIGN:	VALENTIA
LINE:	SCONCE MOUNT
FILE:	C-007-00SET-EL-S100-1
DATE REV:	26-MAY-11



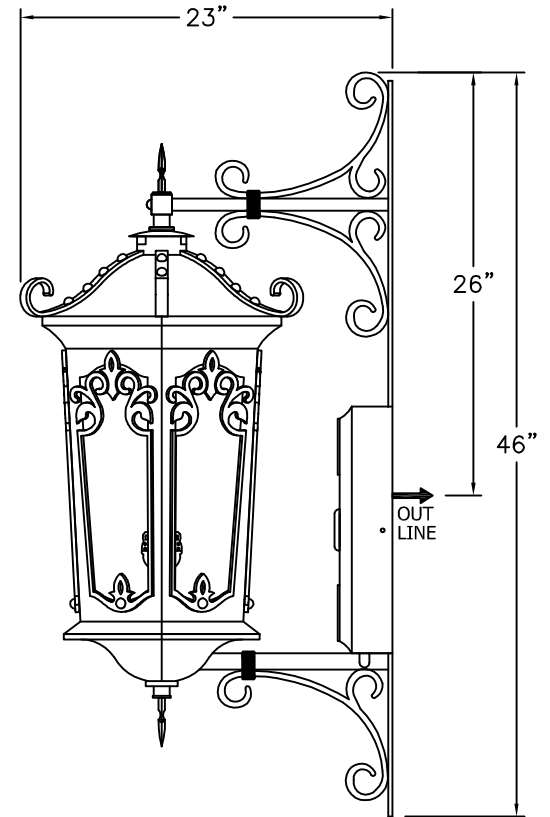
SMALL
C-007-011
13" W x 30" H x 16" D



MEDIUM
C-007-012
15" W x 36" H x 18" D



LARGE
C-007-013
17" W x 40" H x 20"



XLARGE
C-007-014
20" W x 46" H x 23" D

AVAILABLE IN
GAS & ELECTRIC
WITH EXCEPTION
OF SMALL SIZE

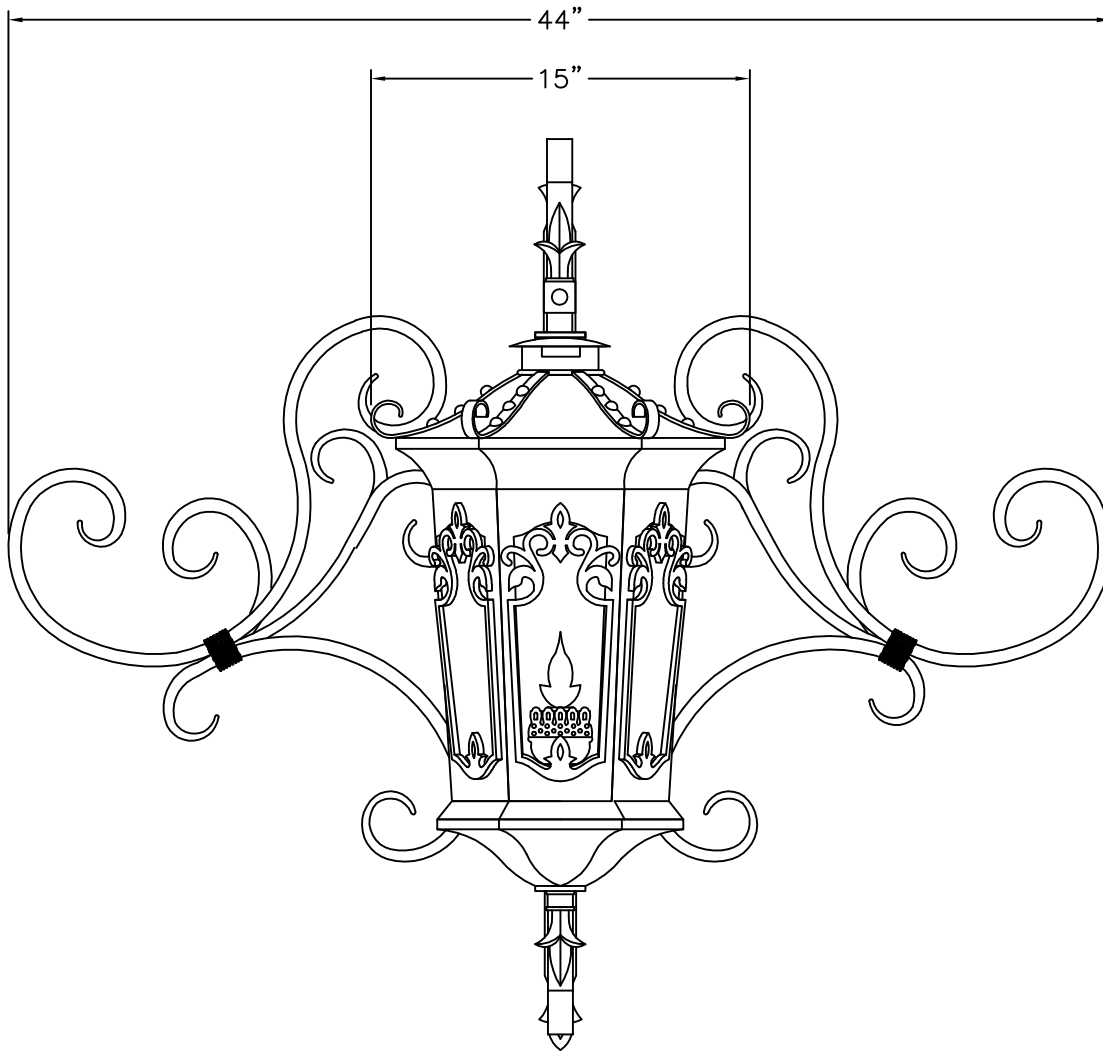
* ACTUAL DIMENSIONS MAY VARY UP TO 1/2"

CUSTOM DRAWING CHANGES:

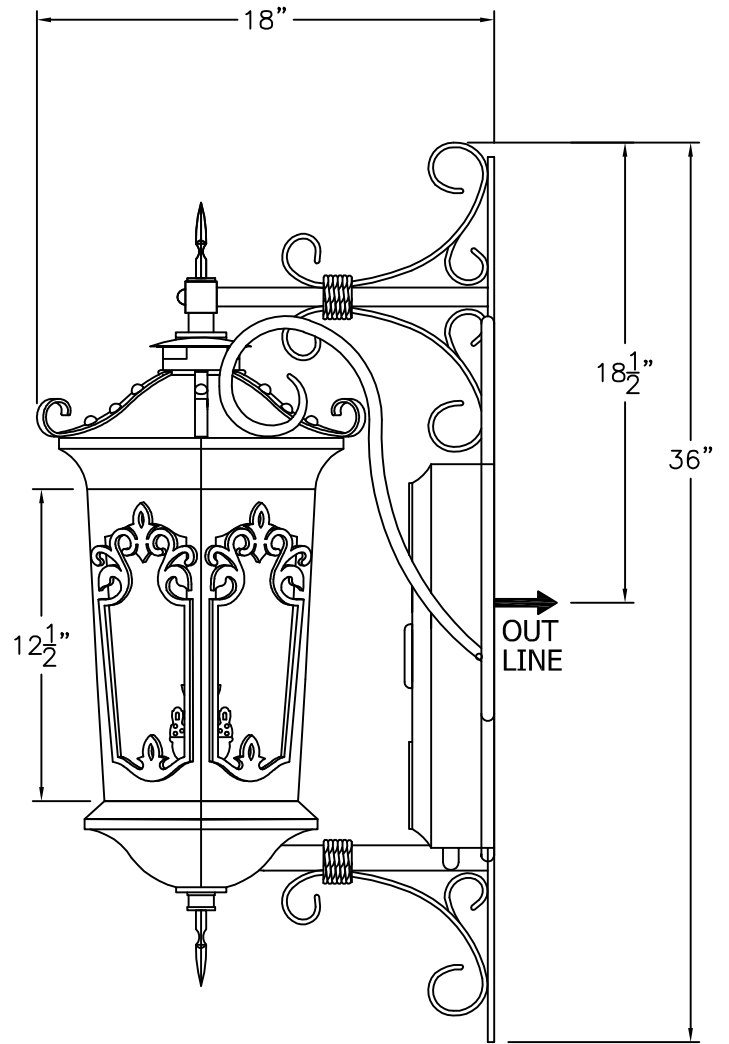
© 2011 SOLARA ENCHAINMENT
UNAUTHORIZED USE OF THIS
PLAN IS IN VIOLATION OF THE
U.S. COPYRIGHT ACT TITLE 17
OF THE U.S. CODE.



DESIGN:	VALENTIA
LINE:	WALL MOUNT
FILE:	C-007-01SET-EG-S100-2
DATE REV:	05-AUGUST-10



FRONT VIEW



SIDE VIEW

MEDIUM
C-007-022
44" W X 36" H X 18" D

AVAILABLE IN
GAS & ELECTRIC
WITH EXCEPTION
OF SMALL SIZE

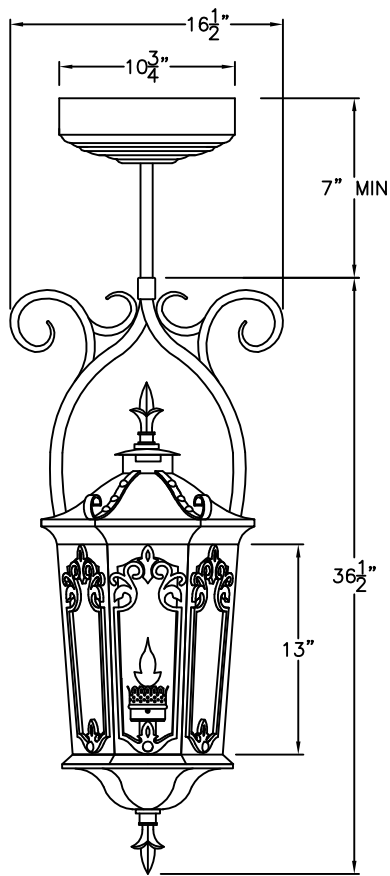
* ACTUAL DIMENSIONS MAY VARY UP TO 1/2"

CUSTOM DRAWING CHANGES:

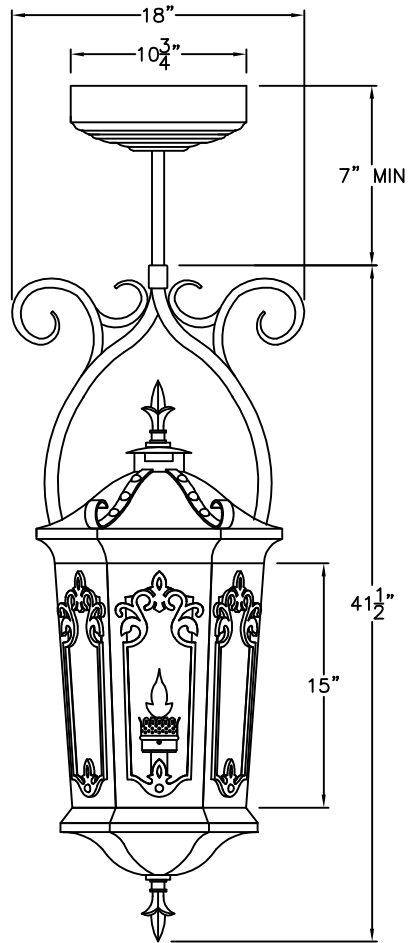
© 2010 SOLARA ENCHAINMENT
UNAUTHORIZED USE OF THIS
PLAN IS IN VIOLATION OF THE
U.S. COPYRIGHT ACT TITLE 17



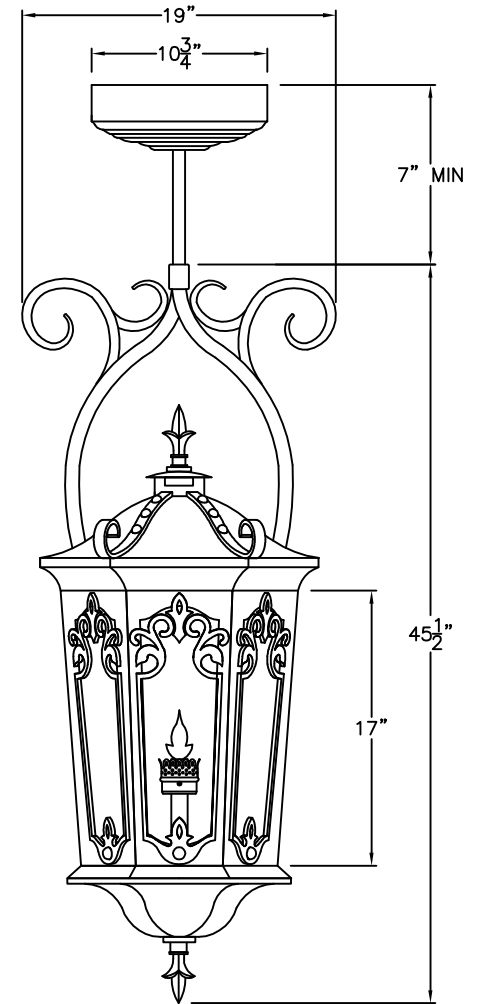
DESIGN:	VALENTIA
LINE:	CENTRAL MOUNT
FILE:	C-007-022-EG-S100-1
DATE REV:	26-MAY-11



MEDIUM
C-007-032
16 1/2" W X 36 1/2" H



LARGE
C-007-033
18" W X 41 1/2" H



XLARGE
C-007-034
19" W X 45 1/2" H

AVAILABLE IN
GAS & ELECTRIC
WITH EXCEPTION
OF SMALL SIZE

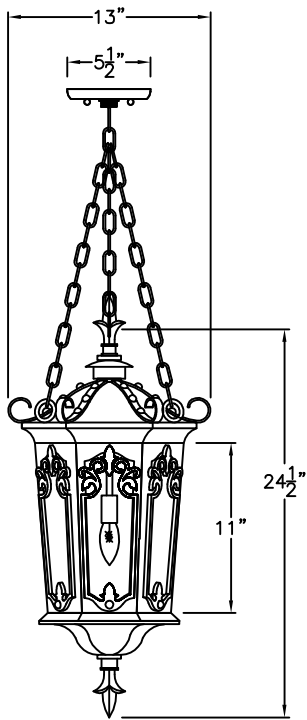
* ACTUAL DIMENSIONS MAY VARY UP TO 1/2"

CUSTOM DRAWING CHANGES:

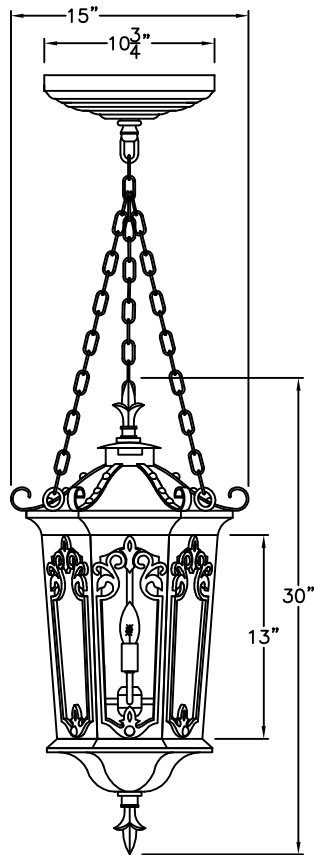
© 2011 SOLARA ENCHAINMENT
UNAUTHORIZED USE OF THIS
PLAN IS IN VIOLATION OF THE
U.S. COPYRIGHT ACT TITLE 17
OF THE U.S. CODE.



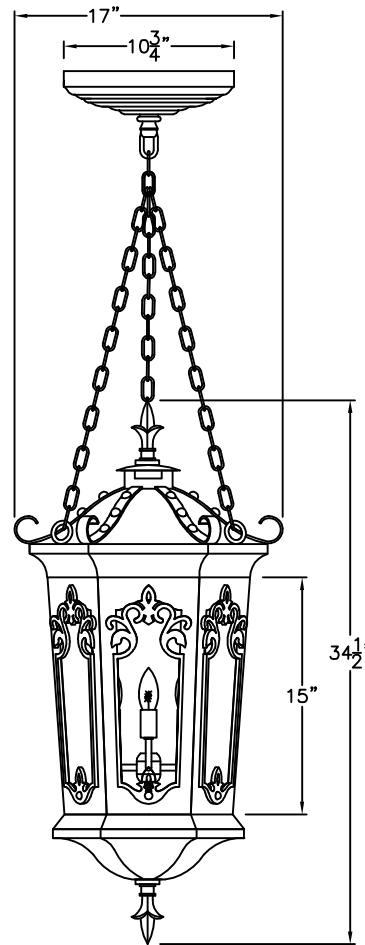
DESIGN:	VALENTIA
LINE:	PENDANT STEM
FILE:	C-007-03SET-EG-S100-1
DATE REV:	26-MAY-11



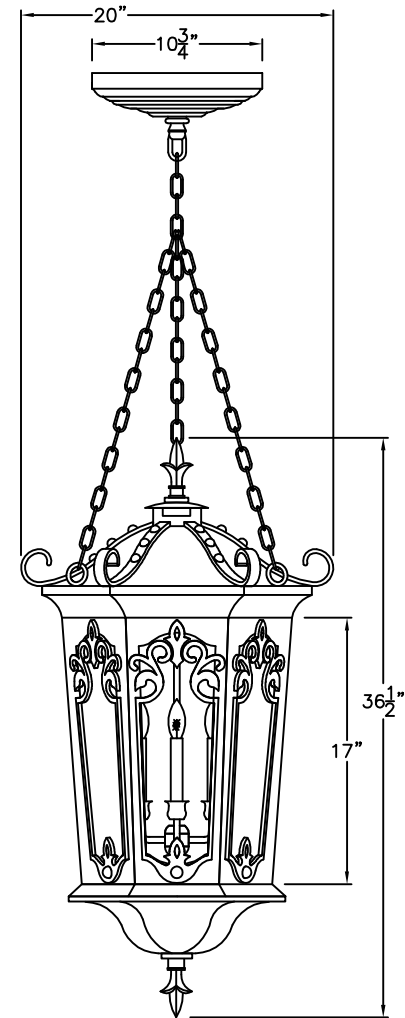
SMALL
C-007-041
13" W x 24 1/2" H



MEDIUM
C-007-042
15" W x 30" H



LARGE
C-007-043
17" W x 34 1/2" H



XLARGE
C-007-044
20" W x 36 1/2" H

ONLY AVAILABLE
IN ELECTRIC

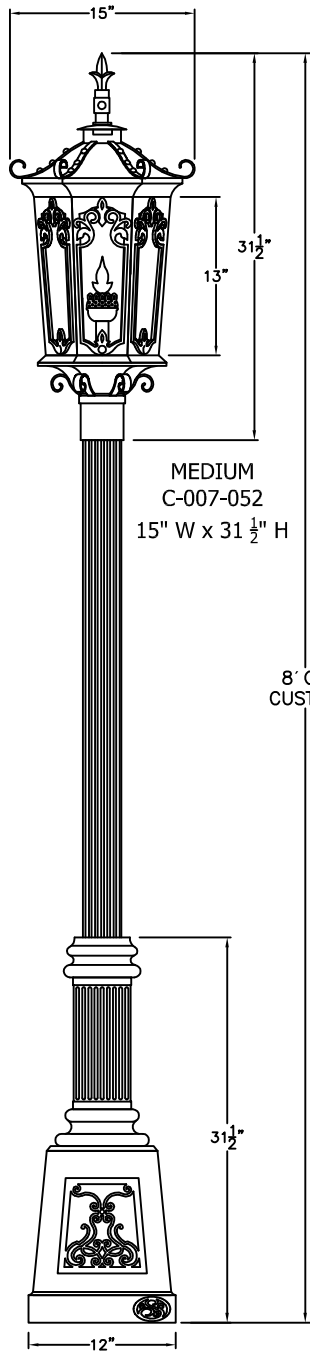
* ACTUAL DIMENSIONS MAY VARY UP TO 1/2"

CUSTOM DRAWING CHANGES:

© 2011 SOLARA ENCHAINMENT
UNAUTHORIZED USE OF THIS
PLAN IS IN VIOLATION OF THE
U.S. COPYRIGHT ACT TITLE 17
OF THE U.S. CODE.

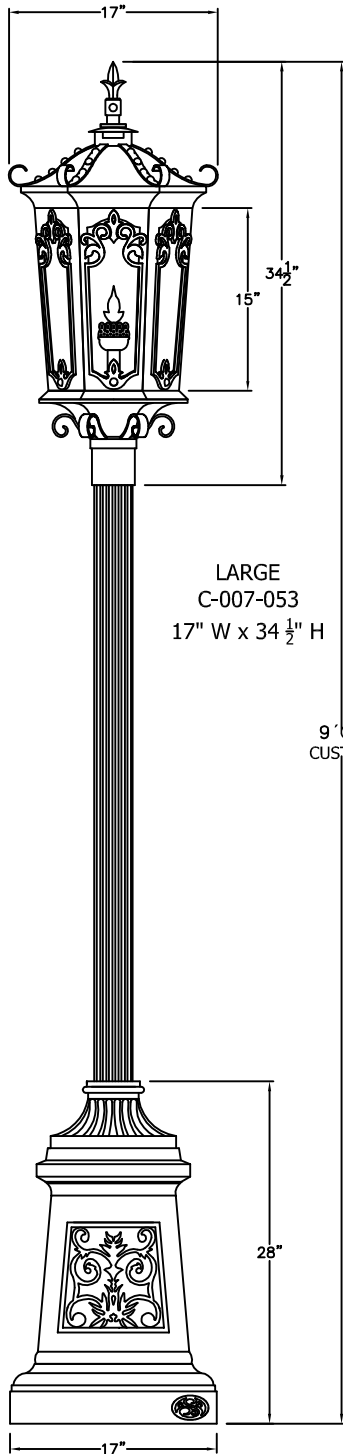


DESIGN:	VALENTIA
LINE:	PENDANT CHAIN
FILE:	C-007-04SET-EL-S100-1
DATE REV:	26-MAY-11



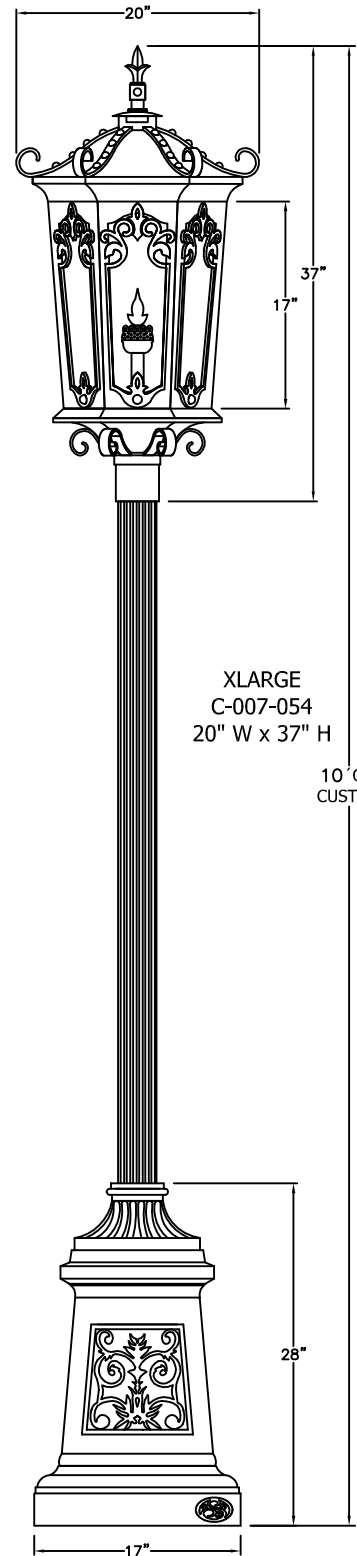
MEDIUM
C-007-052
15" W x 31 1/2" H

8' OR
CUSTOM



LARGE
C-007-053
17" W x 34 1/2" H

9' OR
CUSTOM



XLARGE
C-007-054
20" W x 37" H

10' OR
CUSTOM

SOLARA BASE

MUNICH BASE

AVAILABLE IN
GAS & ELECTRIC
WITH EXCEPTION
OF SMALL SIZE

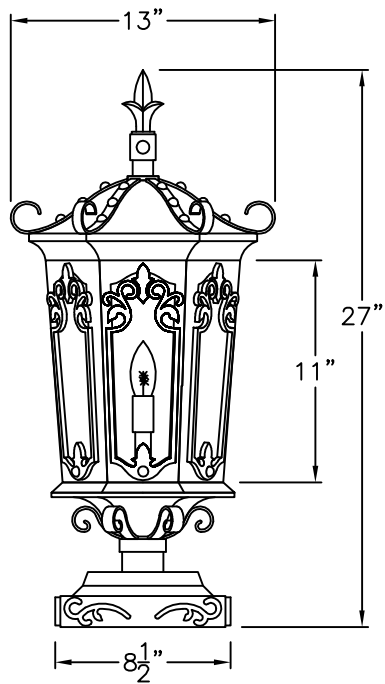
* POST ARE SOLD SEPARATELY
* ACTUAL DIMENSIONS MAY VARY UP TO 1/2"

CUSTOM DRAWING CHANGES:

© 2011 SOLARA ENCHAINMENT
UNAUTHORIZED USE OF THIS
PLAN IS IN VIOLATION OF THE
U.S. COPYRIGHT ACT TITLE 17
OF THE U.S. CODE

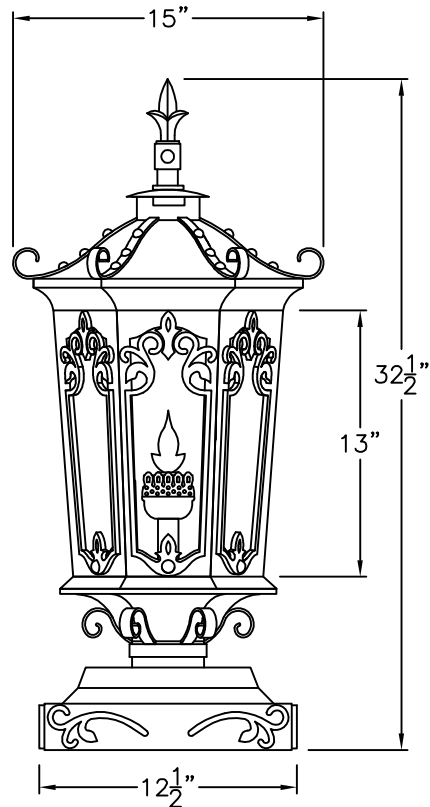


DESIGN: VALENTIA
LINE: POST MOUNT
FILE: C-007-05SET-EG-S100-1
DATE REV: 26-MAY-11



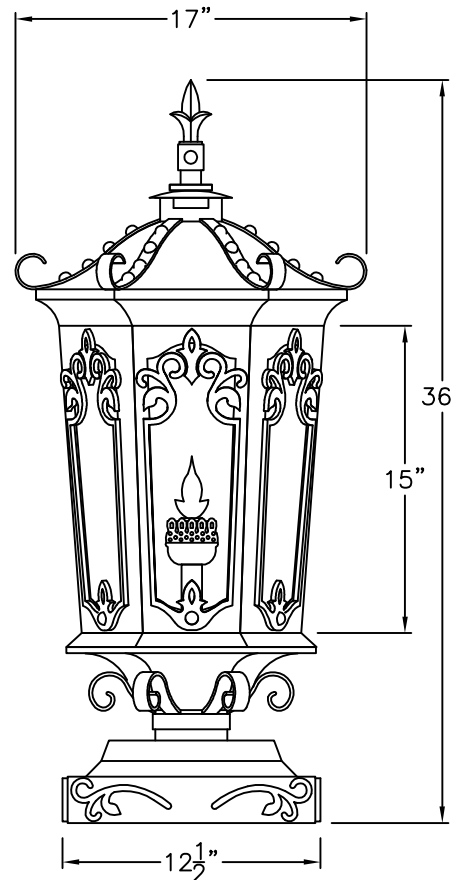
SMALL
C-007-061

13" W x 27" H x 11½" D



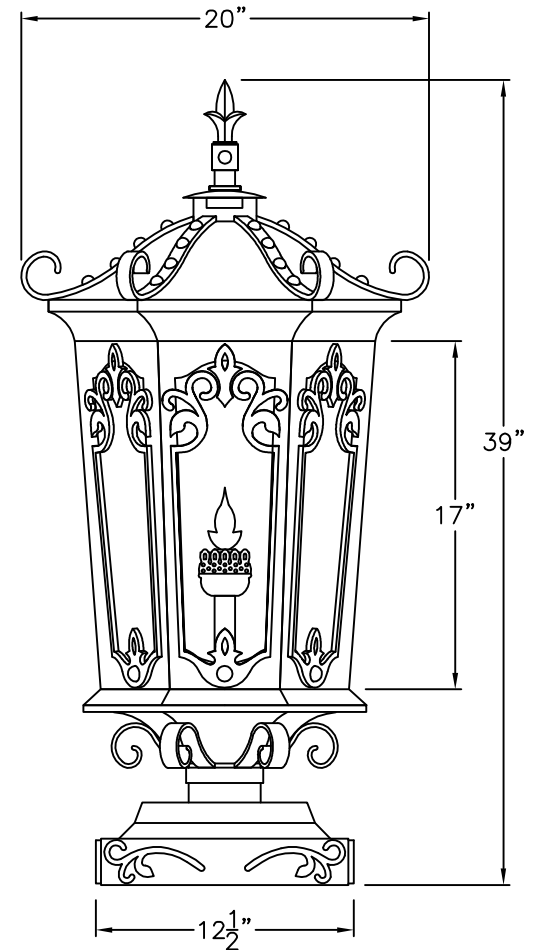
MEDIUM
C-007-062

15" W x 32½" H x 13" D



LARGE
C-007-063

17" W x 36" H x 14½" D



XLARGE
C-007-064

20" W x 39" H x 17½" D

AVAILABLE IN
GAS & ELECTRIC
WITH EXCEPTION
OF SMALL SIZE

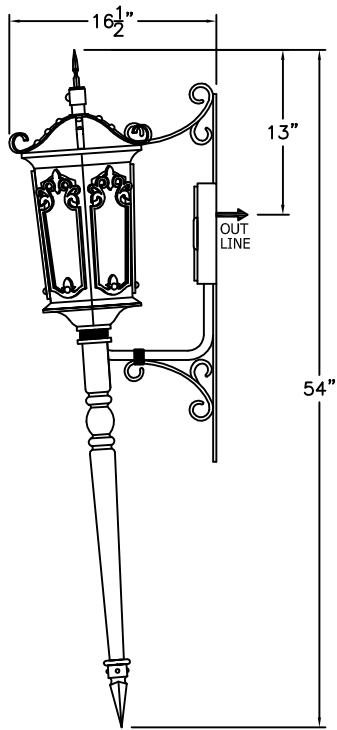
* ACTUAL DIMENSIONS MAY VARY UP TO 1/2"

CUSTOM DRAWING CHANGES:

© 2011 SOLARA ENCHAINMENT
UNAUTHORIZED USE OF THIS
PLAN IS IN VIOLATION OF THE
U.S. COPYRIGHT ACT TITLE 17
OF THE U.S. CODE.

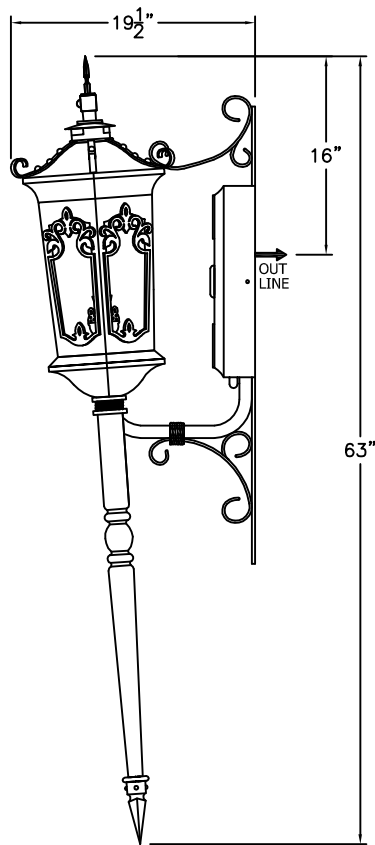


DESIGN:	VALENTIA
LINE:	PIER MOUNT
FILE:	C-007-06SET-EG-S100-2
DATE REV:	22-JUNE-11



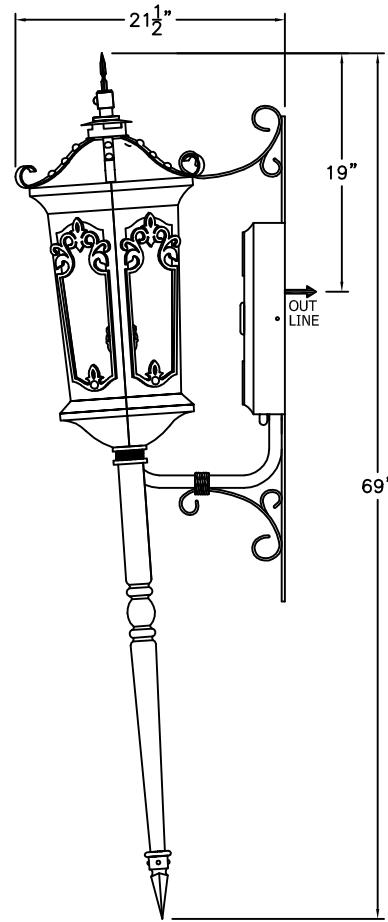
SMALL
C-007-081

13" W X 54" H X 16 1/2" D



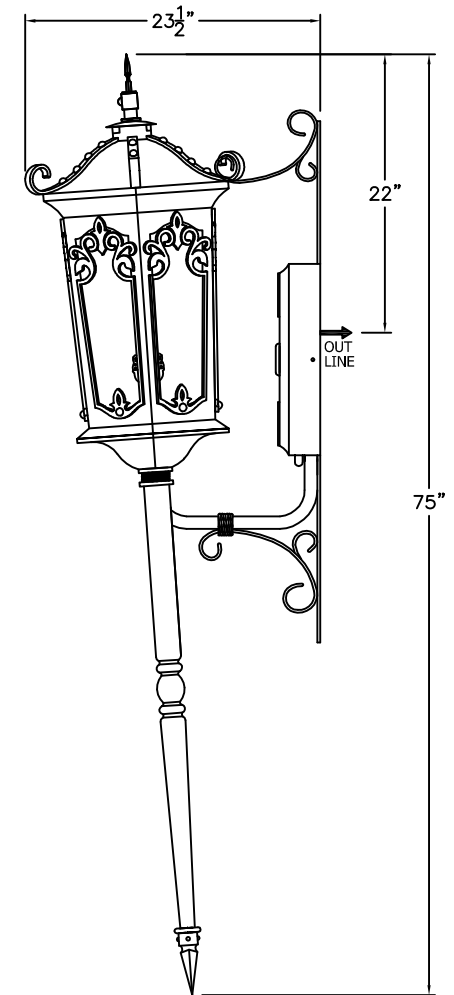
MEDIUM
C-007-082

15" W X 63" H X 19 1/2" D



LARGE
C-007-083

17" W X 69" H X 21 1/2" D



XLARGE
C-007-084

20" W X 75" H X 23 1/2" D

AVAILABLE IN
GAS & ELECTRIC
WITH EXCEPTION
OF SMALL SIZE

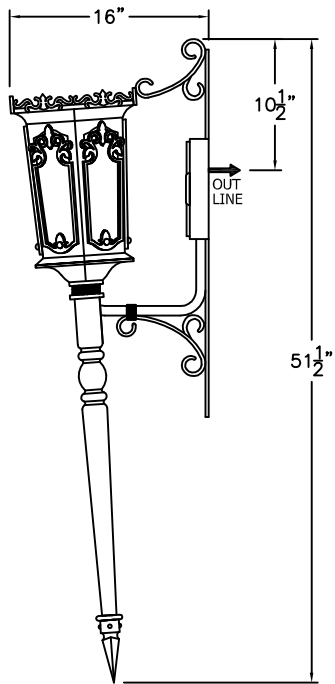
* ACTUAL DIMENSIONS MAY VARY UP TO 1/2"

CUSTOM DRAWING CHANGES:

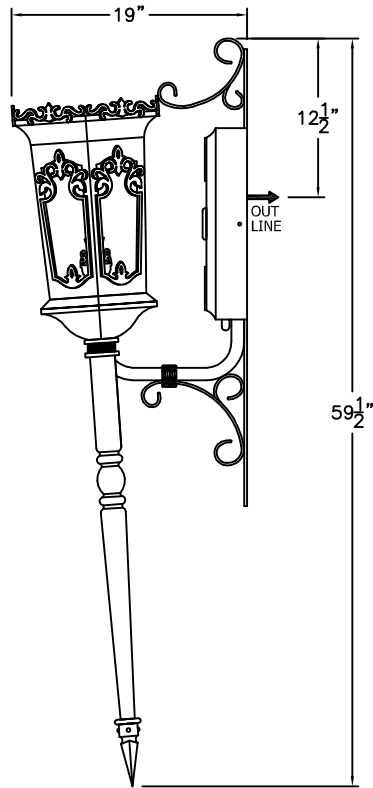
© 2011 SOLARA ENCHAINMENT
UNAUTHORIZED USE OF THIS
PLAN IS IN VIOLATION OF THE
U.S. COPYRIGHT ACT TITLE 17
OF THE U.S. CODE.



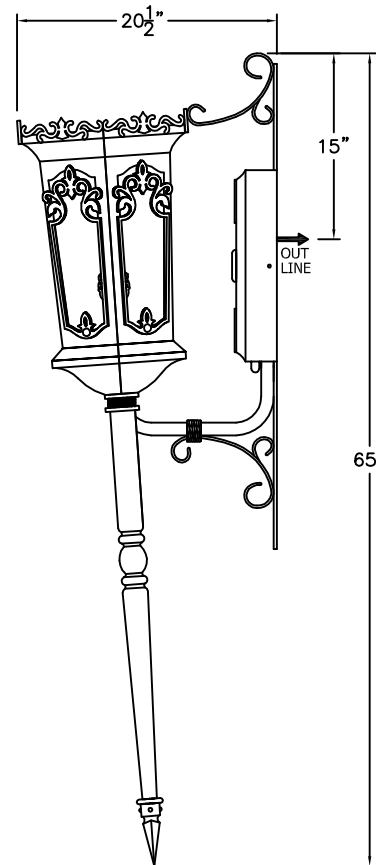
DESIGN:	VALENTIA
LINE:	TORCH MOUNT
FILE:	C-007-08SET-EG-S100-1
DATE REV:	01-MARCH-11



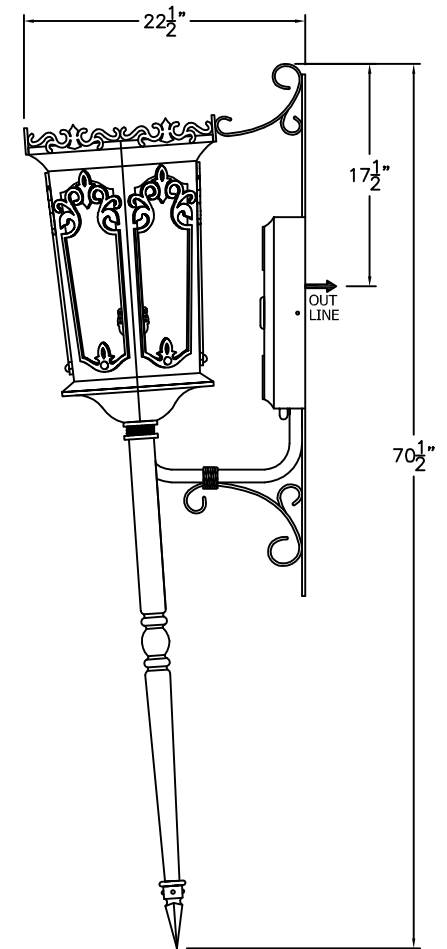
SMALL
C-007-091
11 1/2" W X 51 1/2" H X 16" D



MEDIUM
C-007-092
13 1/2" W X 59 1/2" H X 19" D



LARGE
C-007-093
15 1/2" W X 65" H X 20 1/2" D



XLARGE
C-007-094
17 1/2" W X 70 1/2" H X 22 1/2" D

AVAILABLE IN
GAS & ELECTRIC
WITH EXCEPTION
OF SMALL SIZE

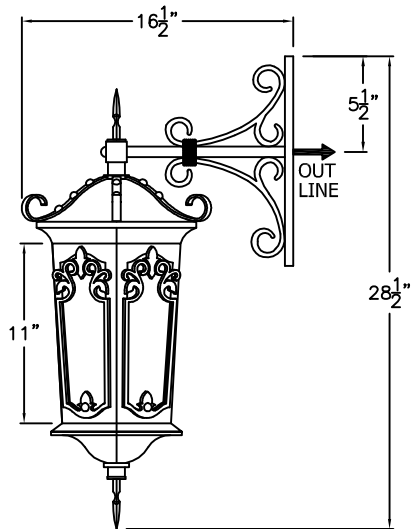
* ACTUAL DIMENSIONS MAY VARY UP TO 1/2"

CUSTOM DRAWING CHANGES:

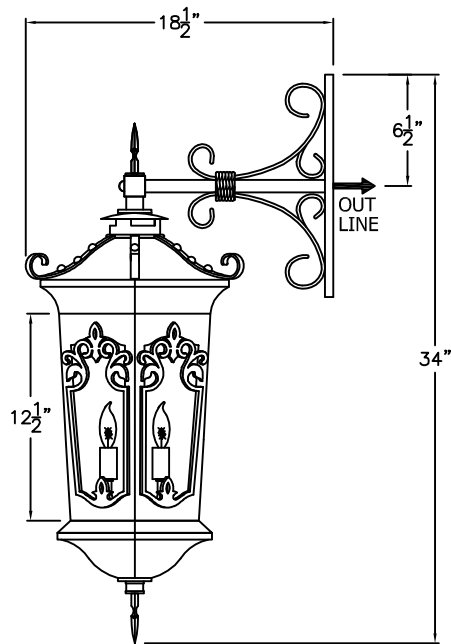
© 2011 SOLARA ENCHAINMENT
UNAUTHORIZED USE OF THIS
PLAN IS IN VIOLATION OF THE
U.S. COPYRIGHT ACT TITLE 17
OF THE U.S. CODE.



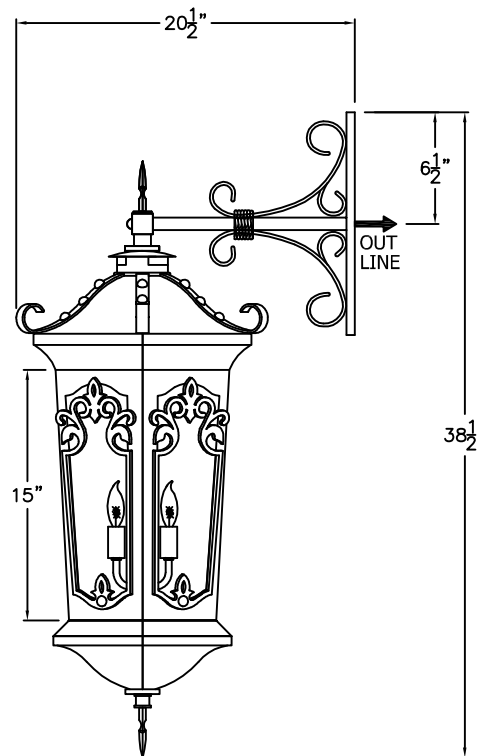
DESIGN:	VALENTIA
LINE:	TORCH MOUNT
FILE:	C-007-09SET-EG-S100-1
DATE REV:	01-MARCH-11



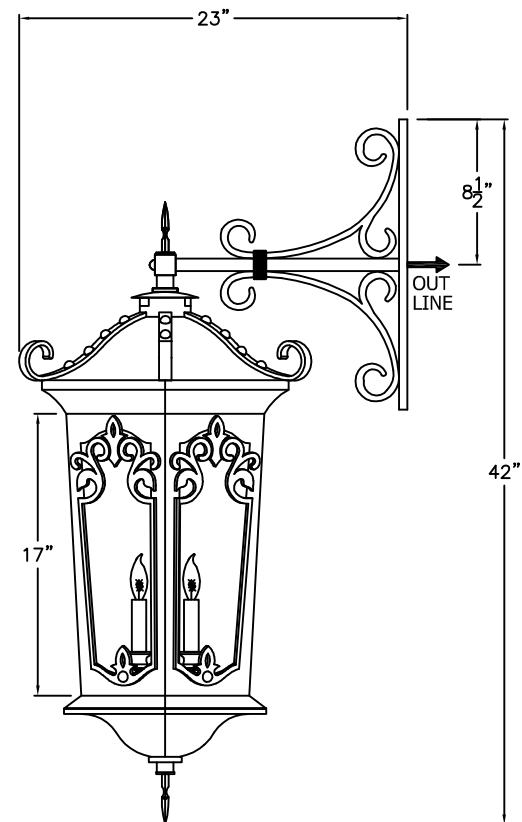
SMALL
C-007-101
13" W X 28 $\frac{1}{2}$ " H X 16 $\frac{1}{2}$ " D



MEDIUM
C-007-102
15" W X 34" H X 18 $\frac{1}{2}$ " D



LARGE
C-007-103
17" W X 38 $\frac{1}{2}$ " H X 20 $\frac{1}{2}$ " D



XLARGE
C-007-104
20" W X 42" H X 23" D

ONLY AVAILABLE
IN ELECTRIC

* ACTUAL DIMENSIONS MAY VARY UP TO 1/2"

CUSTOM DRAWING CHANGES:

© 2011 SOLARA ENCHAINMENT
UNAUTHORIZED USE OF THIS
PLAN IS IN VIOLATION OF THE
U.S. COPYRIGHT ACT TITLE 17
OF THE U.S. CODE.



DESIGN:	VALENTIA
LINE:	HANGING BRACKET
FILE:	C-007-10SET-EL-S100-1
DATE REV:	01-MARCH-11