



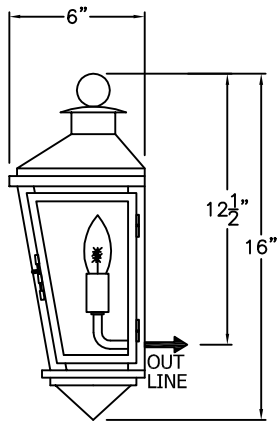
SOLARA

Iron Doors & Lighting

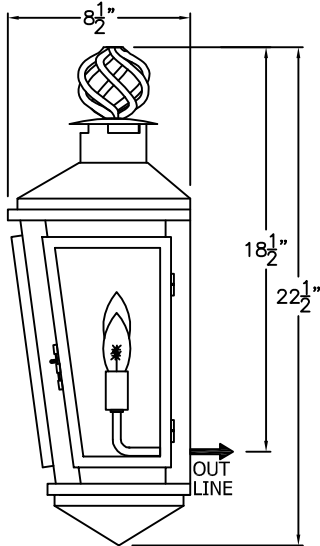


Venice - C003

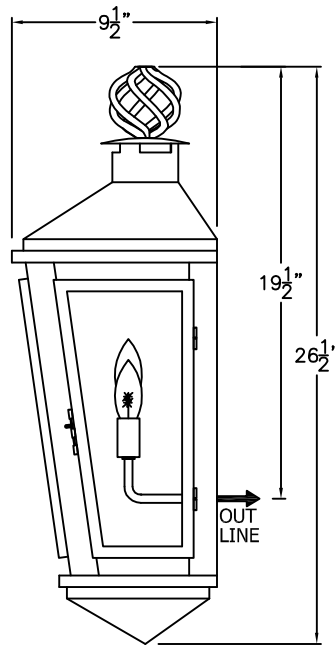




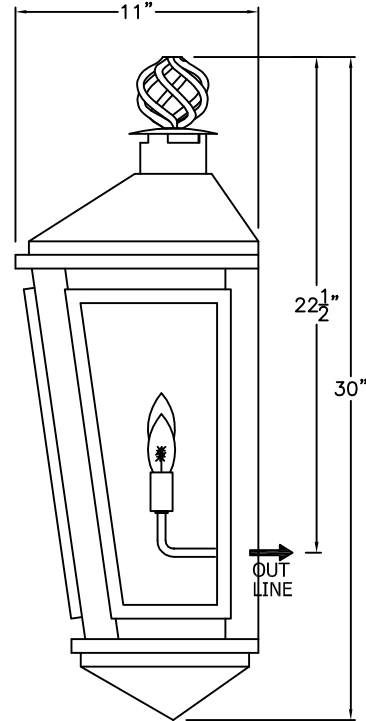
SMALL
C-003-001
8 1/2" W x 16" H x 6" D



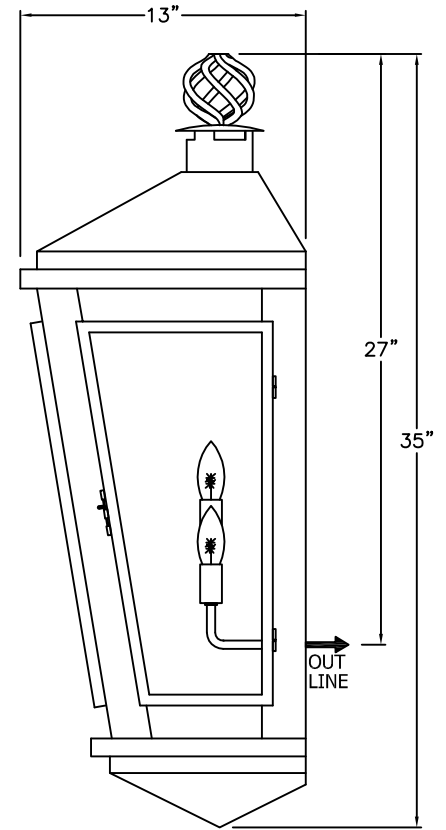
MEDIUM
C-003-002
10 1/2" W x 22 1/2" H x 8 1/2" D



INTERMEDIUM
C-003-0023
12 1/2" W x 26 1/2" H x 9 1/2" D



LARGE
C-003-003
15" W x 30" H x 11" D



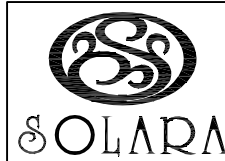
XLARGE
C-003-004
18" W x 35" H x 13" D

ONLY AVAILABLE
IN ELECTRIC

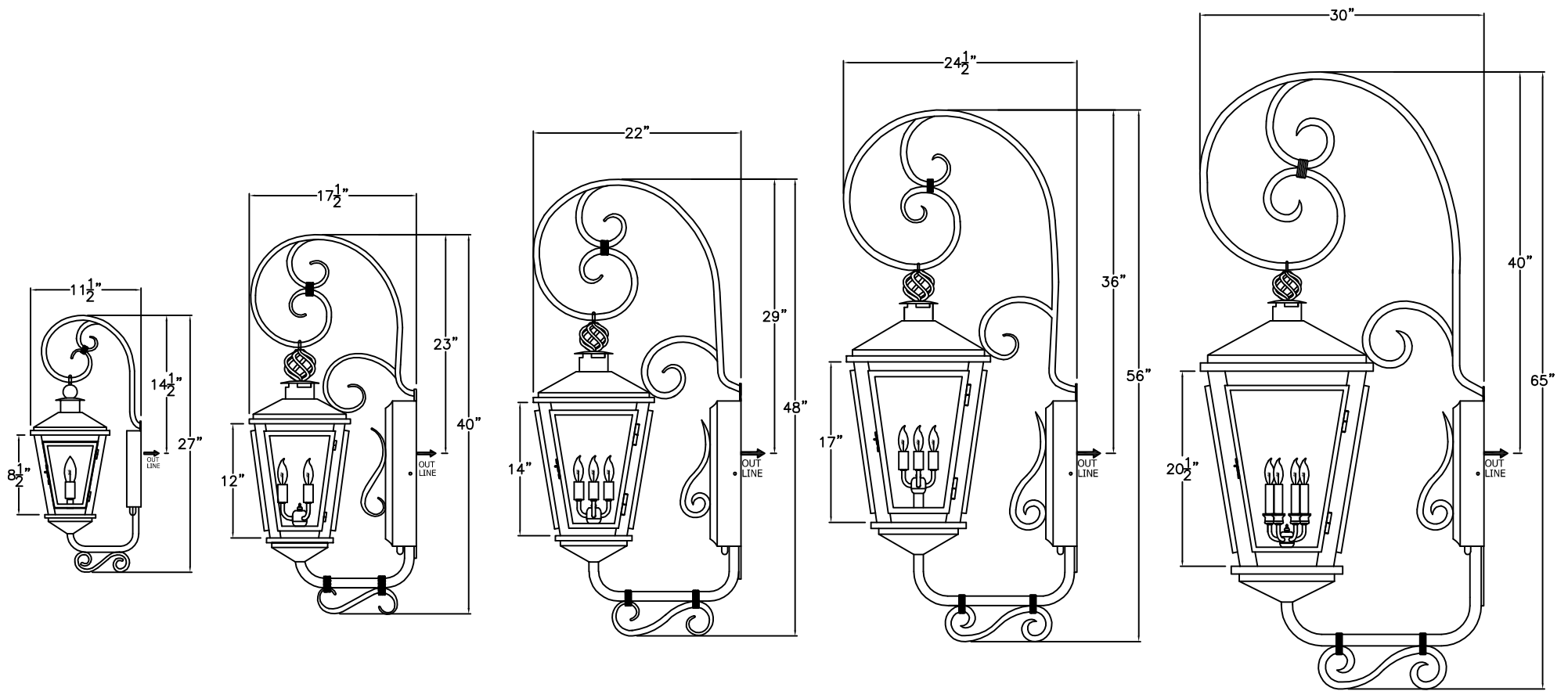
* ACTUAL DIMENSIONS MAY VARY UP TO 1/2"

CUSTOM DRAWING CHANGES:

© 2010 SOLARA ENCHAINMENT
UNAUTHORIZED USE OF THIS
PLAN IS IN VIOLATION OF THE
U.S. COPYRIGHT ACT TITLE 17
OF THE U.S. CODE.



DESIGN:	VENICE
LINE:	SCONCE MOUNT
FILE:	C-003-00SET-EL-S100-1
DATE REV:	24-SEP-10



SMALL
C-003-011

8 1/2" W x 27" H x 11 1/2" D

MEDIUM
C-003-012

10 1/2" W x 40" H x 17 1/2" D

INTERMEDIUM
C-003-0123

12 1/2" W x 48" H x 22" D

LARGE
C-003-013

15" W x 56" H x 24 1/2" D

XLARGE
C-003-014

18" W x 65" H x 30" D

AVAILABLE IN
GAS & ELECTRIC
WITH EXCEPTION
OF SMALL SIZE

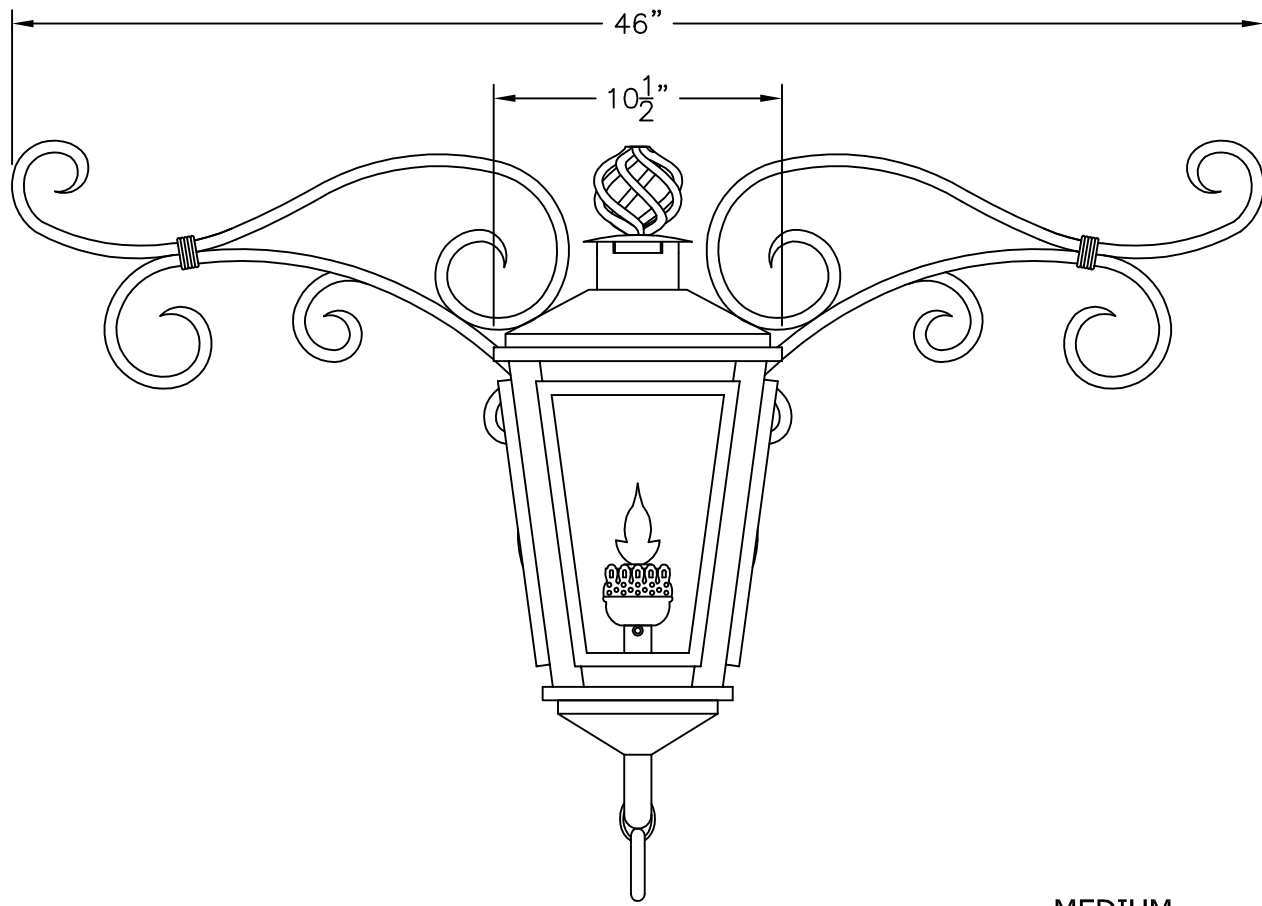
* ACTUAL DIMENSIONS MAY VARY UP TO 1/2"

CUSTOM DRAWING CHANGES:

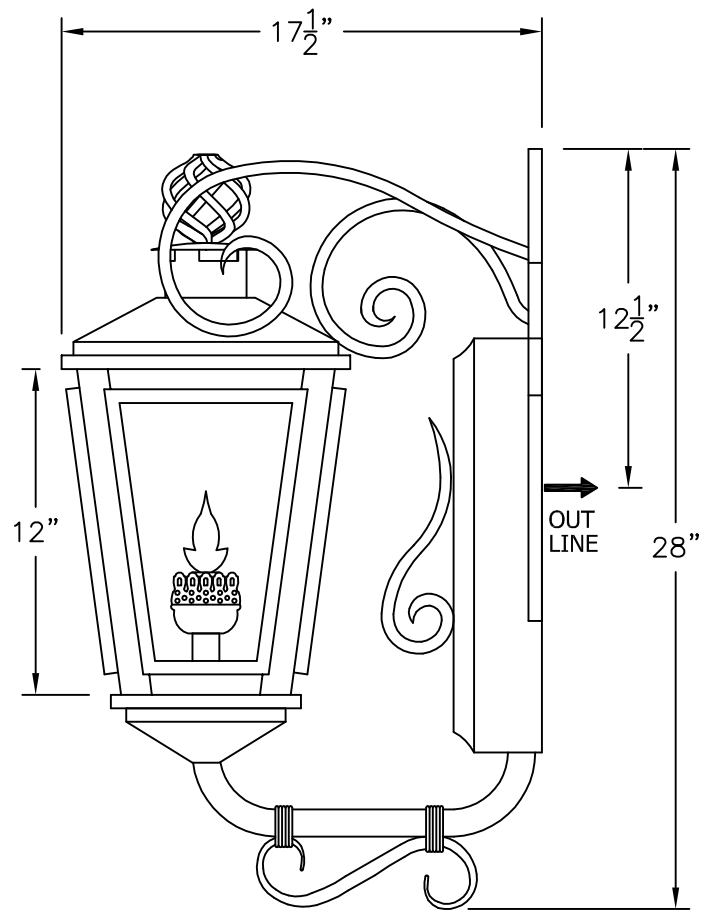
© 2010 SOLARA ENCHAINMENT
UNAUTHORIZED USE OF THIS
PLAN IS IN VIOLATION OF THE
U.S. COPYRIGHT ACT TITLE 17
OF THE U.S. CODE.



DESIGN:	VENICE
LINE:	WALL MOUNT
FILE:	C-003-01SET-EL-S100-2
DATE REV:	24-SEP-10



FRONT VIEW



SIDE VIEW

MEDIUM
C-003-022
46" W x 28" H x 17 1/2" D

AVAILABLE IN
GAS & ELECTRIC
WITH EXCEPTION
OF SMALL SIZE

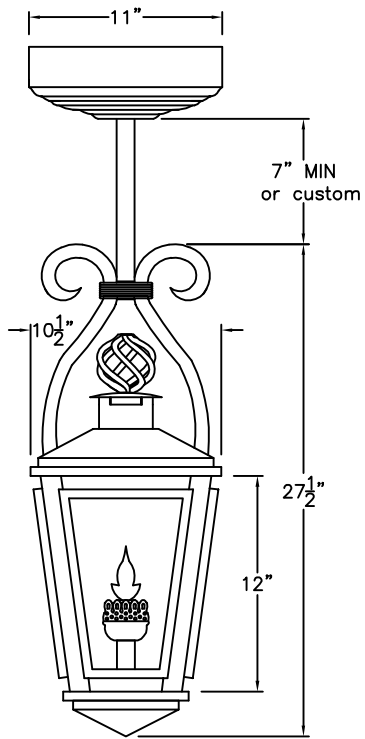
* ACTUAL DIMENSIONS MAY VARY UP TO 1/2"

CUSTOM DRAWING CHANGES:

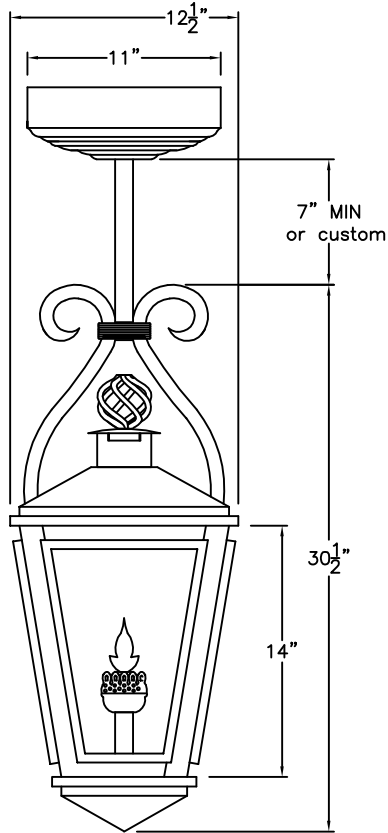
© 2010 SOLARA ENCHAINMENT
UNAUTHORIZED USE OF THIS
PLAN IS IN VIOLATION OF THE
U.S. COPYRIGHT ACT TITLE 17
OF THE U.S. CODE.



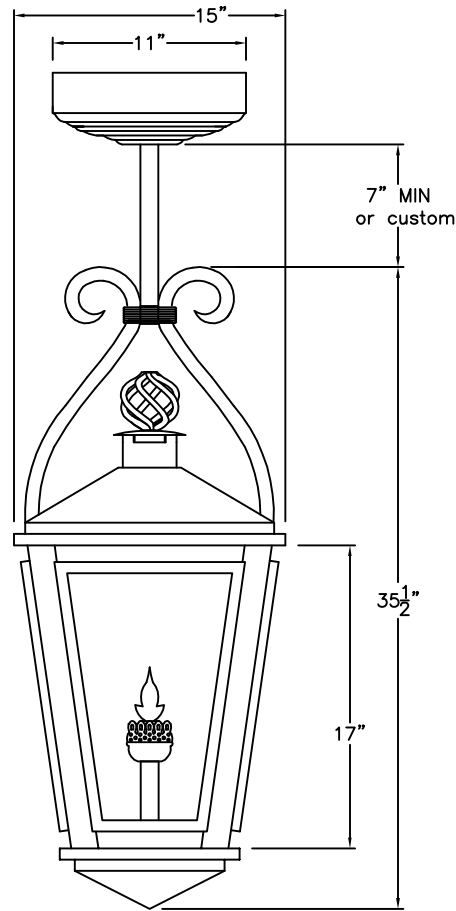
DESIGN:	VENICE
LINE:	CENTRAL MOUNT
FILE:	C-003-022-EG-S100-1
DATE REV:	24-SEP-10



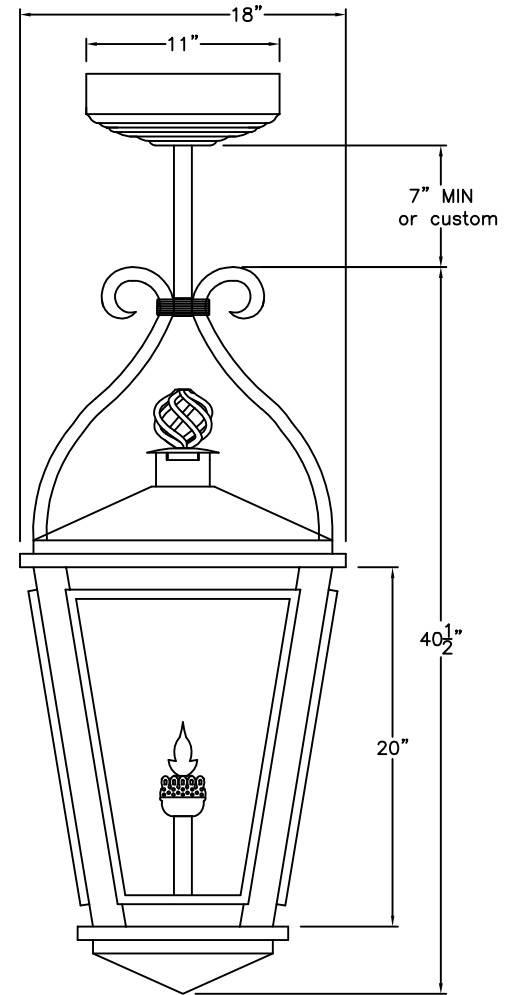
MEDIUM
C-003-032
11" W x 27 1/2" H



MEDIUM / LARGE
C-003-0323
12 1/2" W x 30 1/2" H



LARGE
C-003-033
15" W x 35 1/2" H



XLARGE
C-003-034
18" W x 40 1/2" H

AVAILABLE IN
GAS & ELECTRIC
WITH EXCEPTION
OF SMALL SIZE

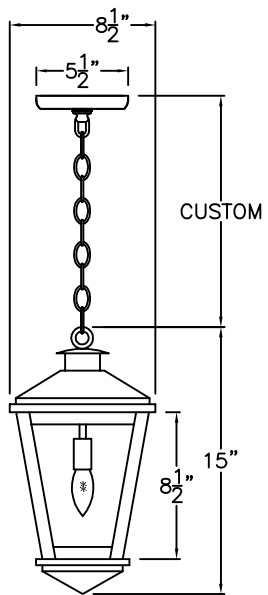
* ACTUAL DIMENSIONS MAY VARY UP TO 1/2"

CUSTOM DRAWING CHANGES:

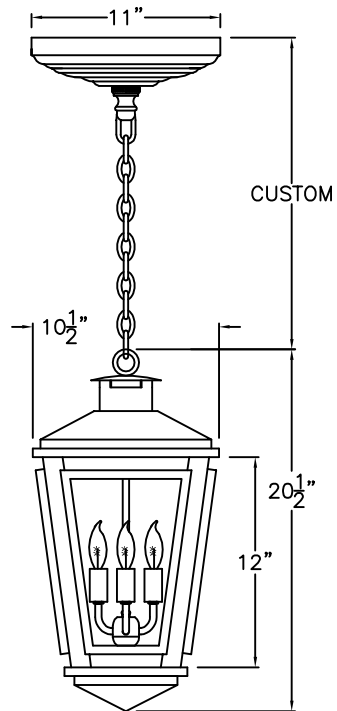
© 2010 SOLARA ENCHAINMENT
UNAUTHORIZED USE OF THIS
PLAN IS IN VIOLATION OF THE
U.S. COPYRIGHT ACT TITLE 17
OF THE U.S. CODE.



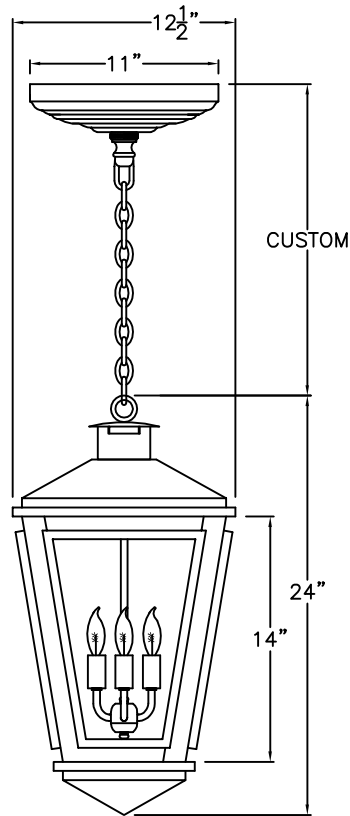
DESIGN:	VENICE
LINE:	PENDANT STEM
FILE:	C-003-03SET-EG-S100-1
DATE REV:	28-JUNE-11



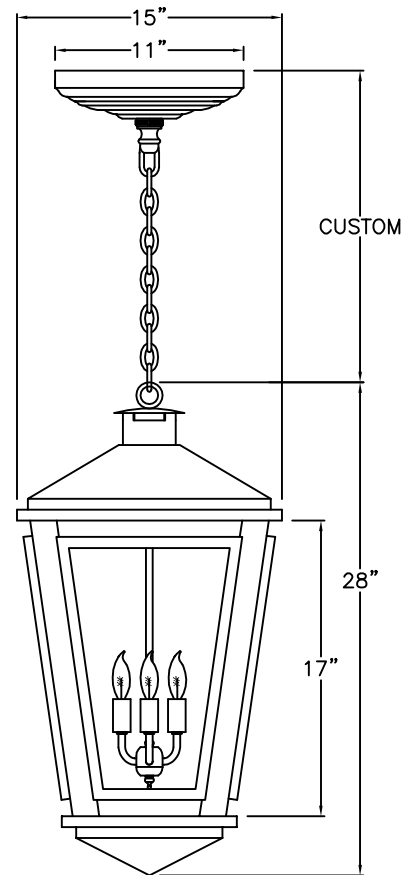
SMALL
C-003-041
8 1/2" W x 15" H



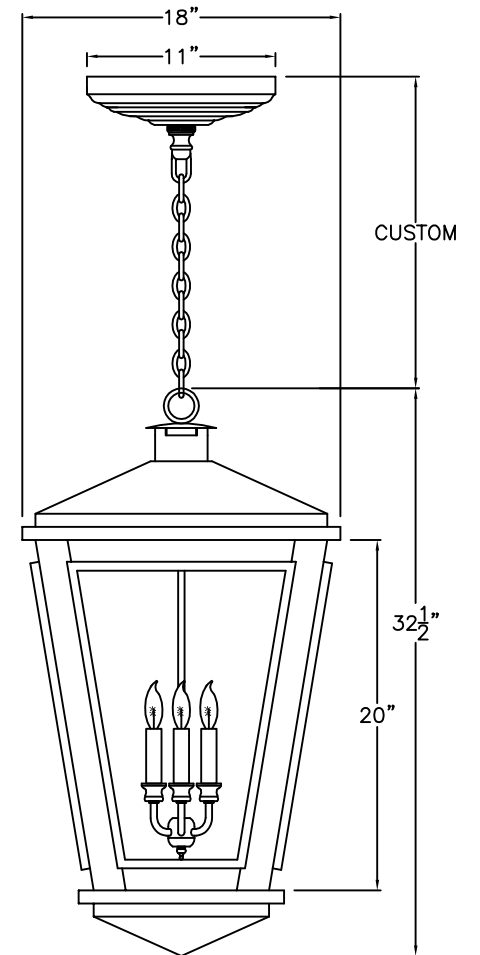
MEDIUM
C-003-042
10 1/2" W x 20 1/2" H



MEDIUM / LARGE
C-003-0423
12 1/2" W x 24" H



LARGE
C-003-043
15" W x 28" H



XLARGE
C-003-044
18" W x 32 1/2" H

ONLY AVAILABLE
IN ELECTRIC

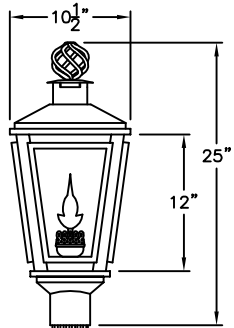
* ACTUAL DIMENSIONS MAY VARY UP TO 1/2"

CUSTOM DRAWING CHANGES:

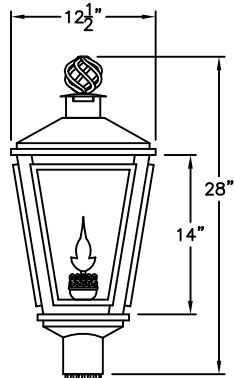
© 2011 SOLARA ENCHAINMENT
UNAUTHORIZED USE OF THIS
PLAN IS IN VIOLATION OF THE
U.S. COPYRIGHT ACT TITLE 17
OF THE U.S. CODE.



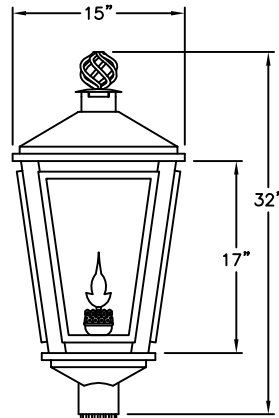
DESIGN:	VENICE
LINE:	PENDANT CHAIN
FILE:	C-003-04SET-EL-S100-1
DATE REV:	28-JUNE-11



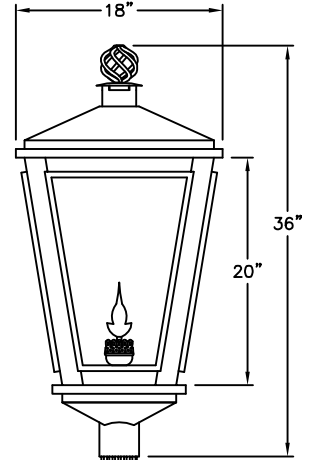
MEDIUM
C-003-052
10 1/2" W x 25" H



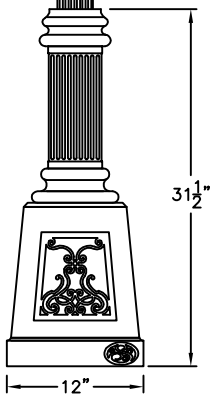
MEDIUM / LARGE
C-003-0523
10 1/2" W x 28" H



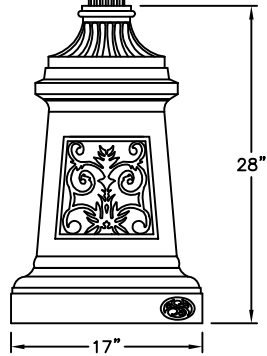
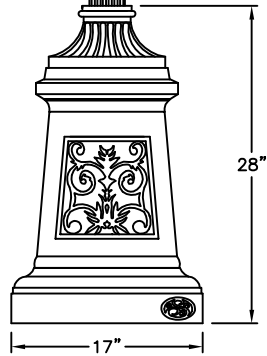
LARGE
C-003-053
15" W x 32" H



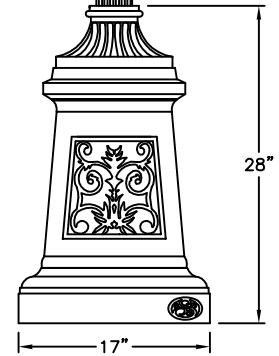
XLARGE
C-003-054
18" W x 36" H



SOLARA BASE



MUNICH BASE



AVAILABLE IN
GAS & ELECTRIC
WITH EXCEPTION
OF SMALL SIZE

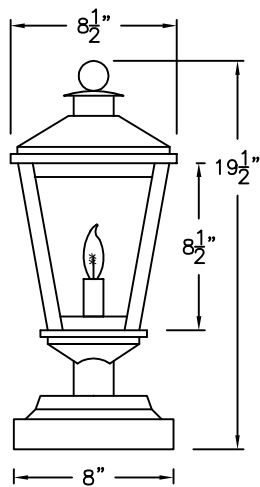
* POST ARE SOLD SEPARATELY
* ACTUAL DIMENSIONS MAY VARY UP TO 1/2"

CUSTOM DRAWING CHANGES:

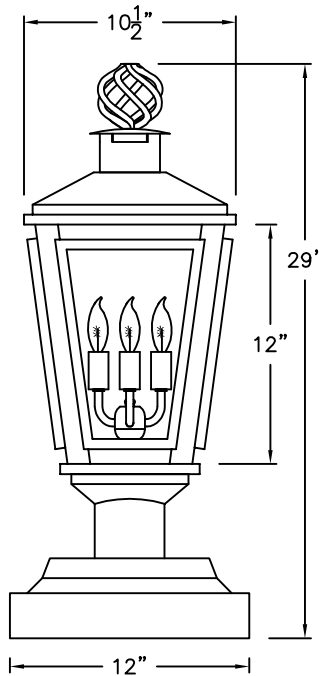
© 2011 SOLARA ENCHAINMENT
UNAUTHORIZED USE OF THIS
PLAN IS IN VIOLATION OF THE
U.S. COPYRIGHT ACT TITLE 17
OF THE U.S. CODE.



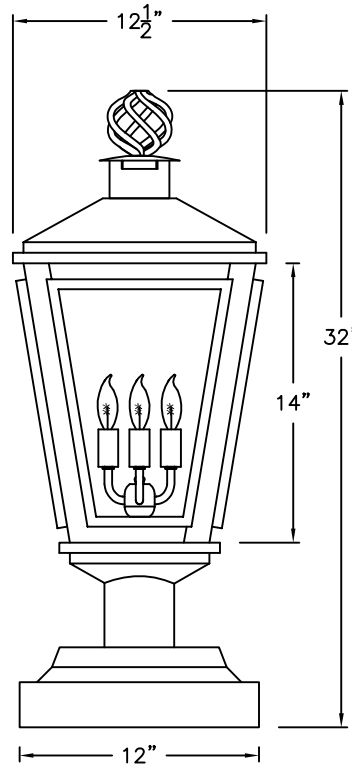
DESIGN:	VENICE
LINE:	POST MOUNT
FILE:	C-003-05SET-EG-S100-1
DATE REV:	28-JUNE-11



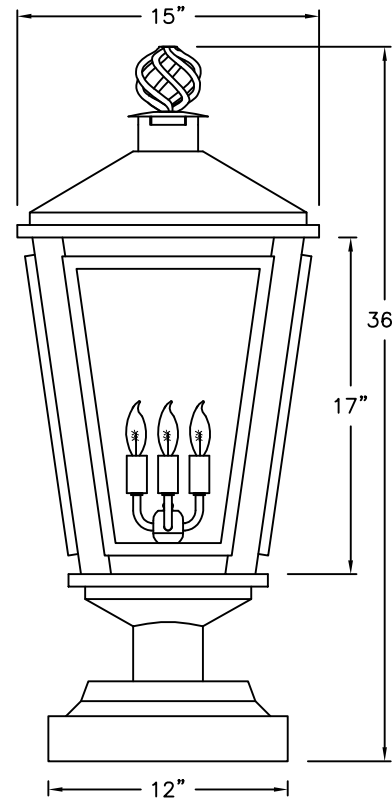
SMALL
C-003-061
8 1/2" W x 19 1/2" H



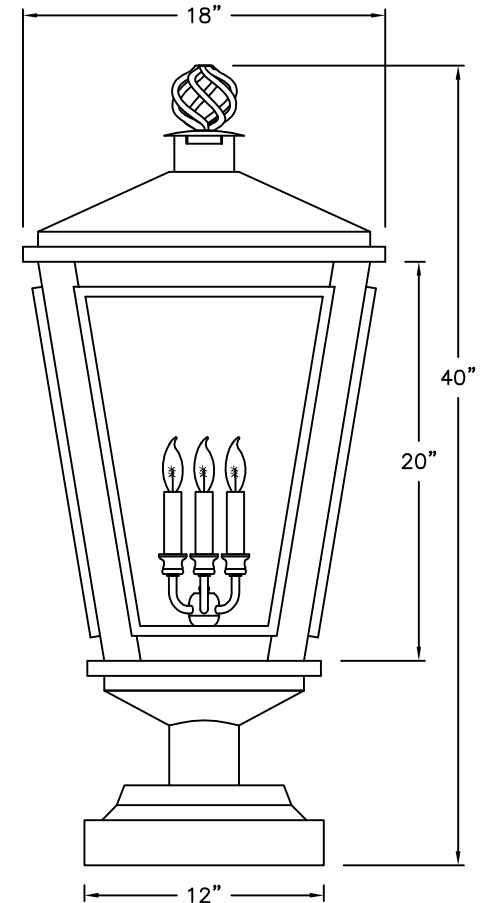
MEDIUM
C-003-062
12" W x 29" H



MEDIUM / LARGE
C-003-0623
12 1/2" W x 32" H



LARGE
C-003-063
15" W x 36" H



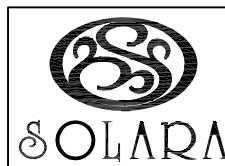
XLARGE
C-003-064
18" W x 40" H

AVAILABLE IN
GAS & ELECTRIC
WITH EXCEPTION
OF SMALL SIZE

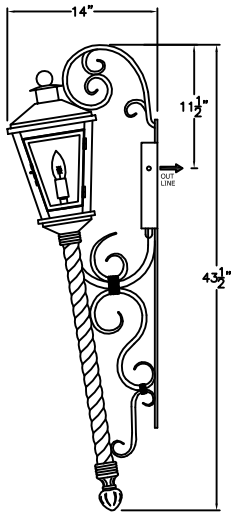
* ACTUAL DIMENSIONS MAY VARY UP TO 1/2"

CUSTOM DRAWING CHANGES:

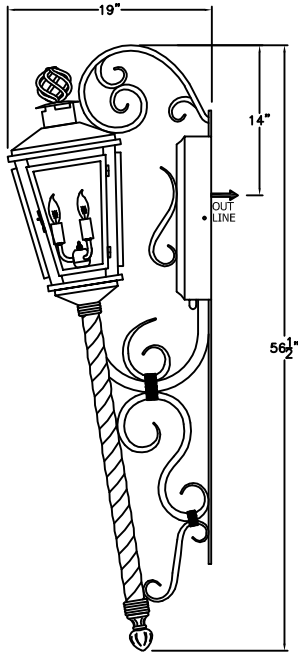
© 2011 SOLARA ENCHAINMENT
UNAUTHORIZED USE OF THIS
PLAN IS IN VIOLATION OF THE
U.S. COPYRIGHT ACT TITLE 17
OF THE U.S. CODE.



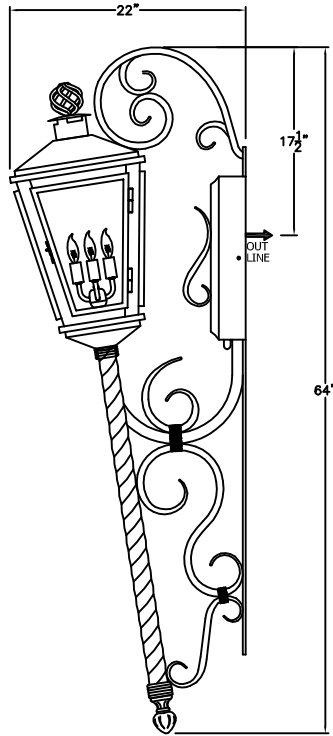
DESIGN:	VENICE
LINE:	PIER MOUNT
FILE:	C-003-06SET-EL-S100-1
DATE REV:	28-JUNE-11



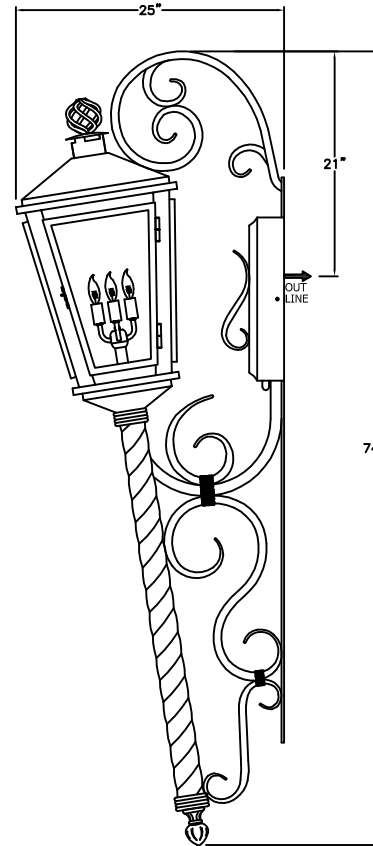
SMALL
C-003-081
8 1/2" W X 43 1/2" H X 14" D



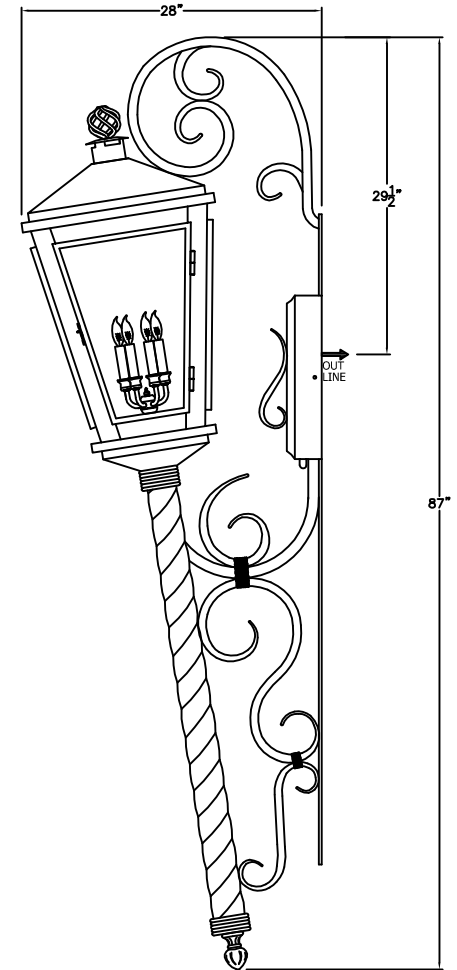
MEDIUM
C-003-082
10 1/2" W X 56 1/2" H X 19" D



INTERMEDIUM
C-003-0823
12 1/2" W X 64" H X 22" D



LARGE
C-003-083
15" W X 74" H X 25" D



XLARGE
C-003-084
18" W X 87" H X 28" D

AVAILABLE IN
GAS & ELECTRIC
WITH EXCEPTION
OF SMALL SIZE

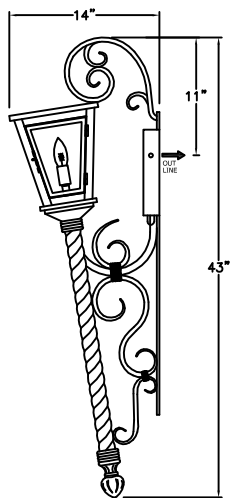
* ACTUAL DIMENSIONS MAY VARY UP TO 1/2"

CUSTOM DRAWING CHANGES:

© 2011 SOLARA ENCHAINMENT
UNAUTHORIZED USE OF THIS
PLAN IS IN VIOLATION OF THE
U.S. COPYRIGHT ACT TITLE 17
OF THE U.S. CODE.

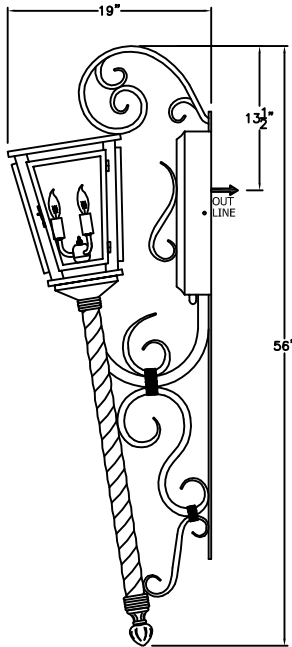


DESIGN:	VENICE
LINE:	TORCH MOUNT
FILE:	C-003-08SET-EL-S100-1
DATE REV:	10-FEB-11



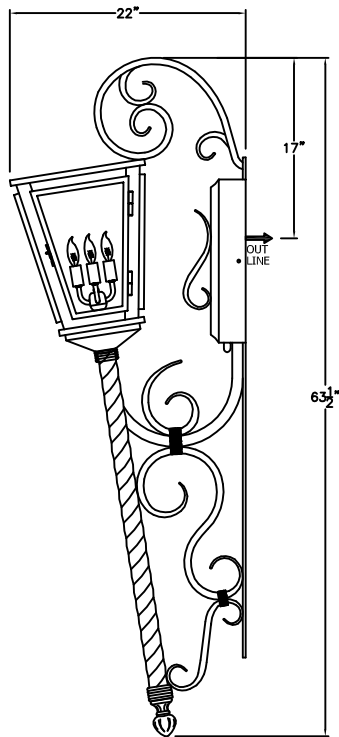
SMALL
C-003-091

8½" W X 43" H X 14" D



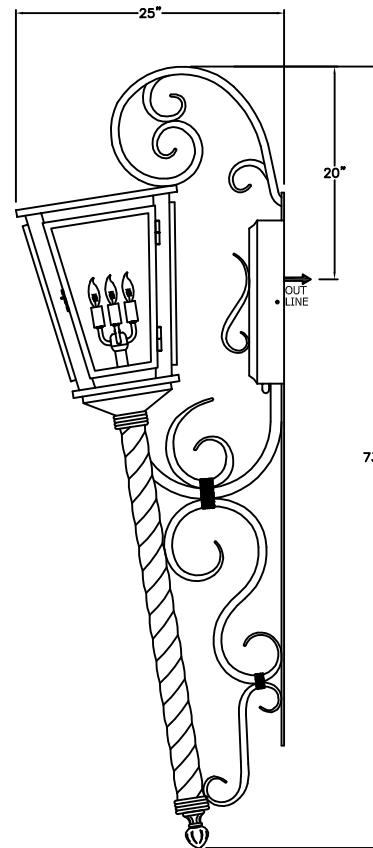
MEDIUM
C-003-092

10½" W X 56" H X 19" D



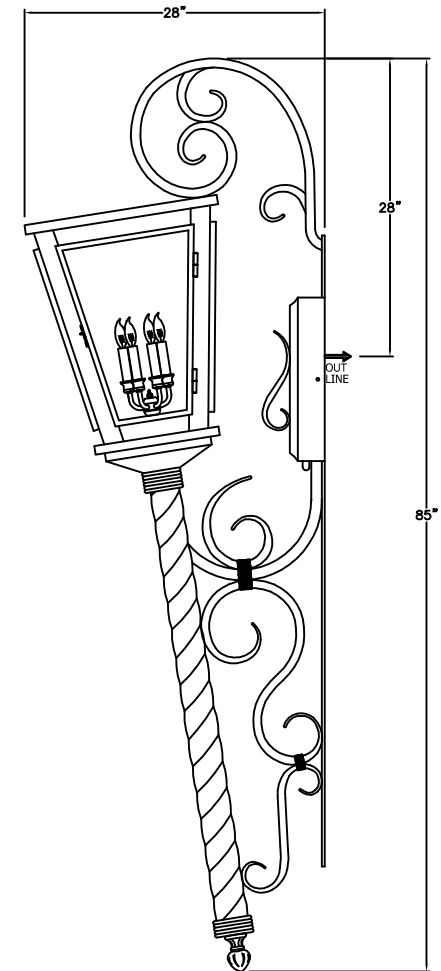
INTERMEDIUM
C-003-0923

12½" W X 63½" H X 22" D



LARGE
C-003-093

15" W X 73" H X 25" D



XLARGE
C-003-094

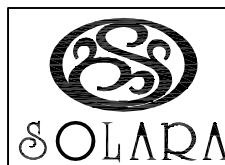
18" W X 85" H X 28" D

AVAILABLE IN
GAS & ELECTRIC
WITH EXCEPTION
OF SMALL SIZE

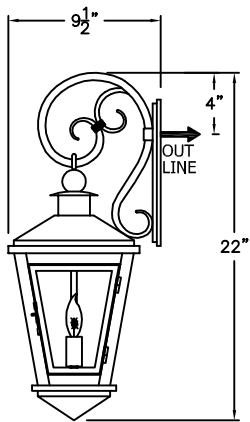
* ACTUAL DIMENSIONS MAY VARY UP TO 1/2"

CUSTOM DRAWING CHANGES:

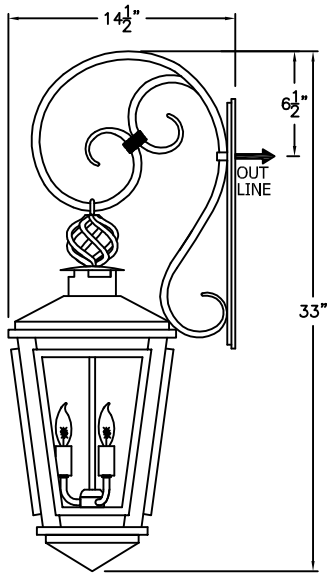
© 2011 SOLARA ENCHAINMENT
UNAUTHORIZED USE OF THIS
PLAN IS IN VIOLATION OF THE
U.S. COPYRIGHT ACT TITLE 17
OF THE U.S. CODE.



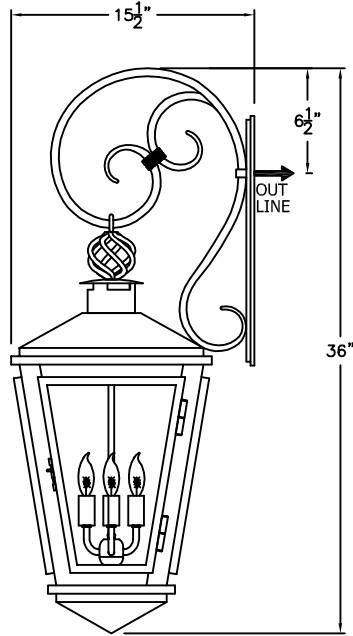
DESIGN:	VENICE
LINE:	TORCH MOUNT
FILE:	C-003-09SET-EL-S100-1
DATE REV:	10-FEB-11



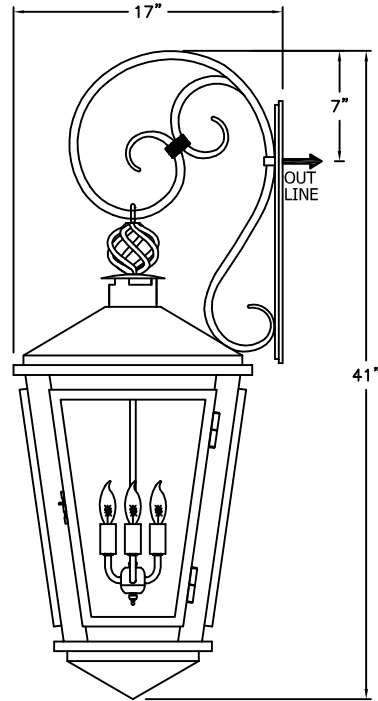
SMALL
C-003-101
8 1/2" W X 22" H X 9 1/2" D



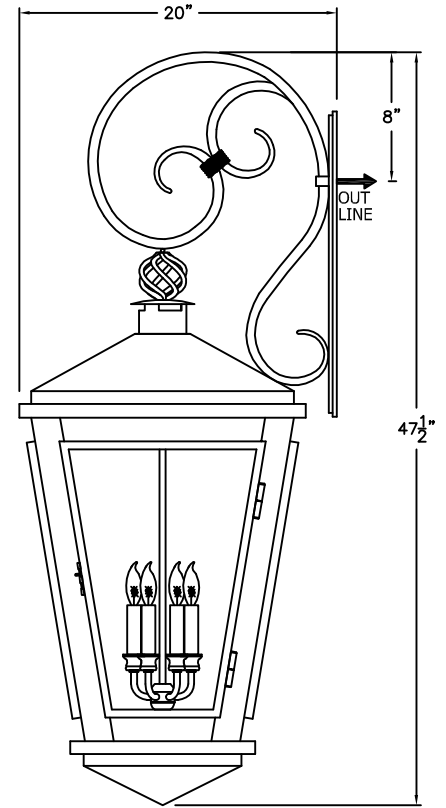
MEDIUM
C-003-102
10 1/2" W X 33" H X 14 1/2" D



INTERMEDIUM
C-003-1023
12 1/2" W X 36" H X 15 1/2" D



LARGE
C-003-103
15" W X 41" H X 17" D



XLARGE
C-003-104
18" W X 47 1/2" H X 20" D

ONLY AVAILABLE
IN ELECTRIC

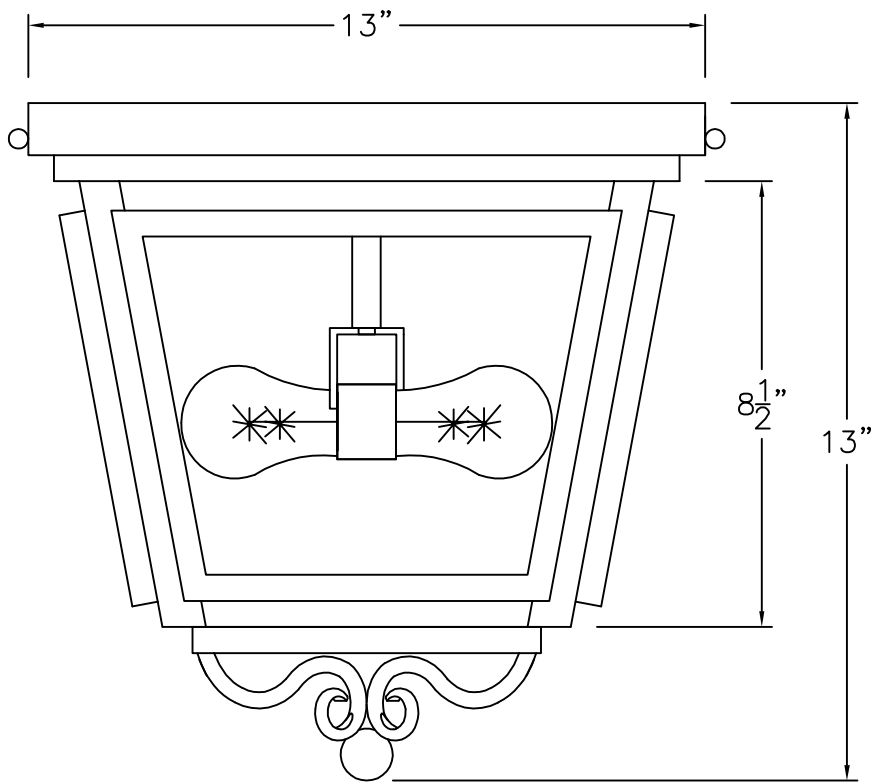
* ACTUAL DIMENSIONS MAY VARY UP TO 1/2"

CUSTOM DRAWING CHANGES:

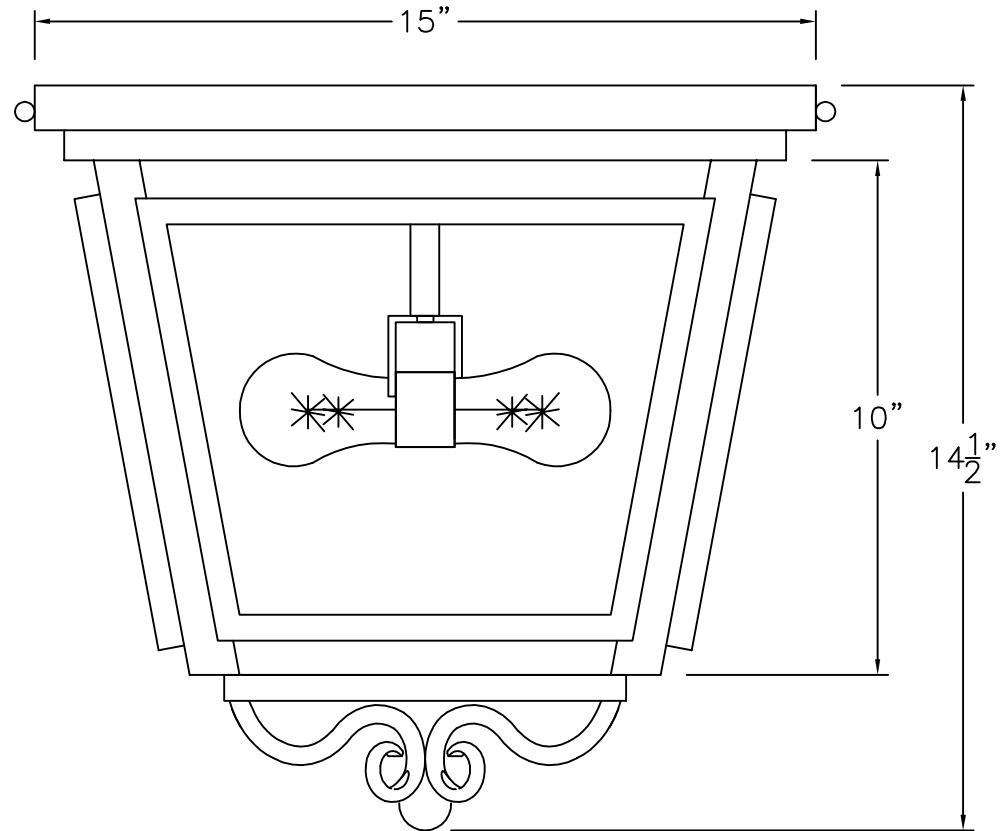
© 2011 SOLARA ENCHAINMENT
UNAUTHORIZED USE OF THIS
PLAN IS IN VIOLATION OF THE
U.S. COPYRIGHT ACT TITLE 17
OF THE U.S. CODE.



DESIGN:	VENICE
LINE:	HANGING MOUNT
FILE:	C-003-10SET-EL-S100-1
DATE REV:	10-FEB-11



MEDIUM
C-003-122
13" W x 13" H



LARGE
C-003-013
15" W x 14 1/2" H

AVAILABLE IN
GAS & ELECTRIC
WITH EXCEPTION
OF SMALL SIZE

* ACTUAL DIMENSIONS MAY VARY UP TO 1/2"

CUSTOM DRAWING CHANGES:

© 2010 SOLARA ENCHAINMENT
UNAUTHORIZED USE OF THIS
PLAN IS IN VIOLATION OF THE
U.S. COPYRIGHT ACT TITLE 17
OF THE U.S. CODE.



DESIGN:	VENICE
LINE:	FLUSH CEILING
FILE:	C-003-12SET-EL-S100-2
DATE REV:	24-SEP-10