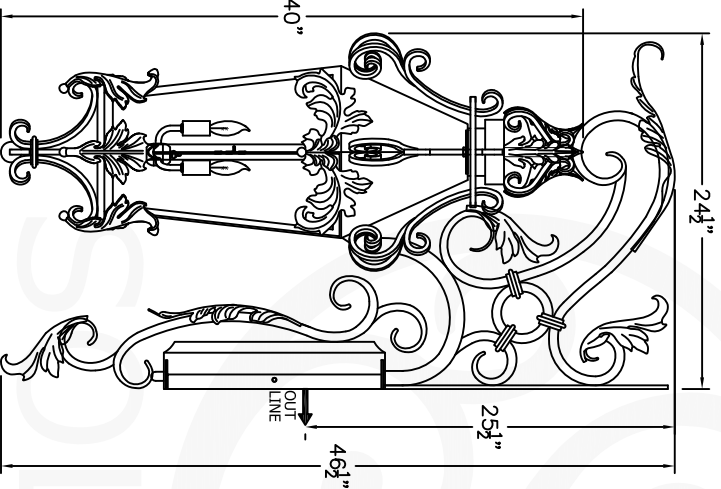
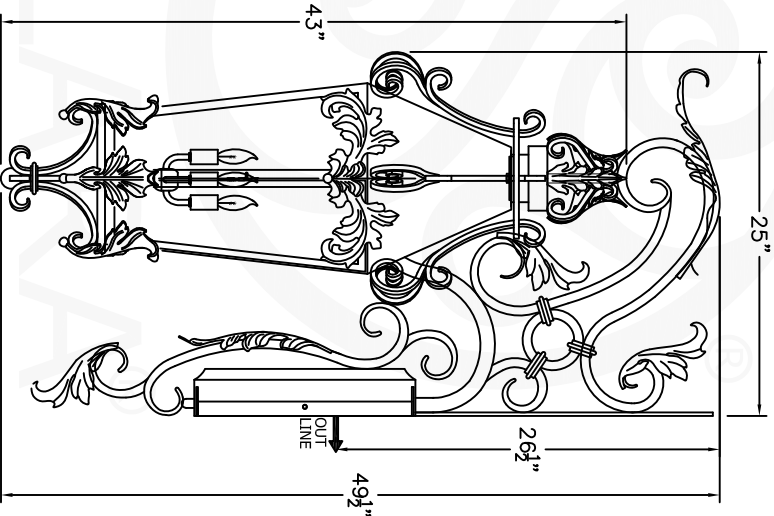


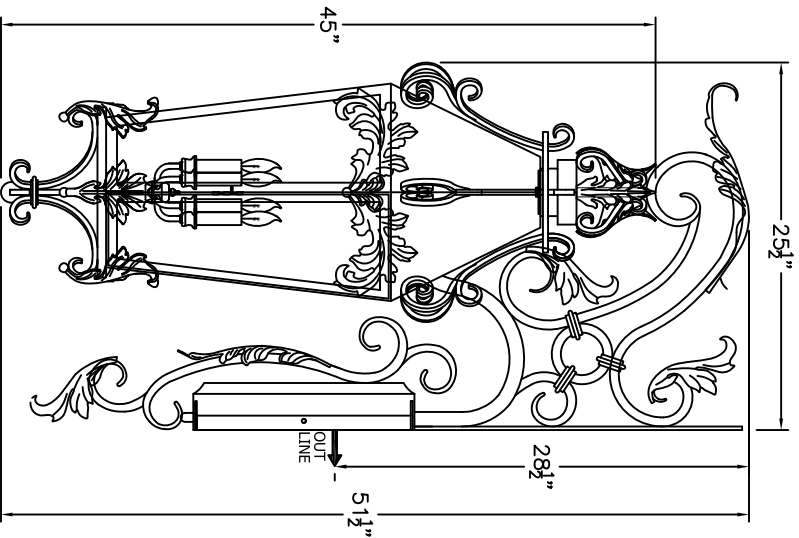
SMALL
D019-011
14" W X 44" H X 17 1/2" D



MEDIUM
D019-012
18" W X 46" H X 24 1/2" D



LARGE
D019-013
22" W X 49 1/2" H X 25" D



X-LARGE
D019-014
26" W X 51 1/2" H X 25 1/2" D

AVAILABLE IN
GAS & ELECTRIC
WITH EXCEPTION
OF SMALL SIZE

CUSTOM DRAWING CHANGES:

* ACTUAL DIMENSIONS MAY VARY UP TO 1/2"

© 2015 SOLARA ENCHAINMENT
UNAUTHORIZED USE OF THIS
PLAN IS IN VIOLATION OF THE
U.S. COPYRIGHT ACT TITLE 17
OF THE U.S. CODE.



DESIGN: AURORE

LINE: WALL MOUNT

FILE: D019-01SET-EL-S100-1

DATE REV: 17-AUG-2015