



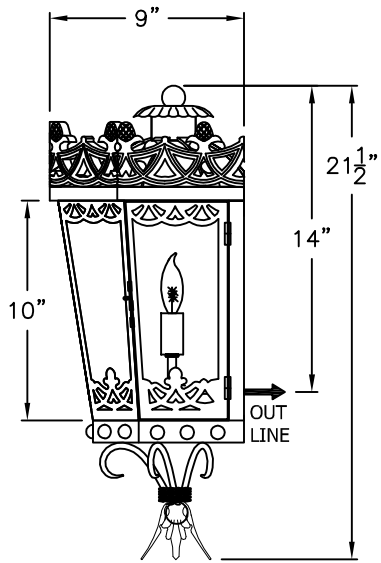
SOLARA

Iron Doors & Lighting

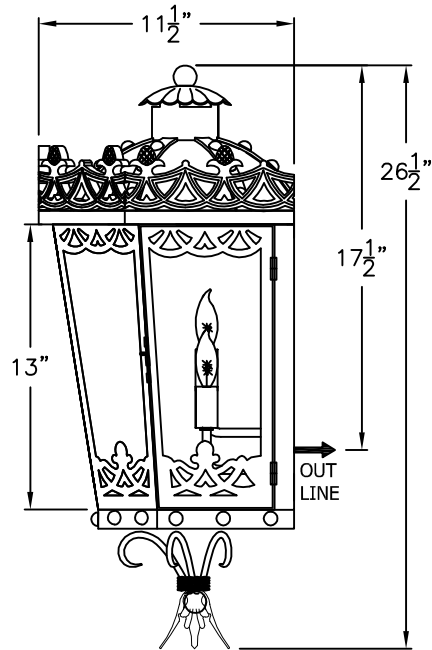


Frankfurt - D005

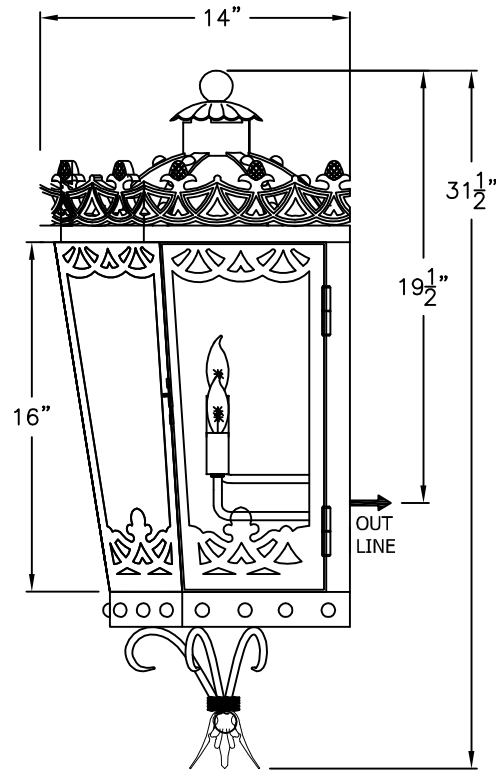




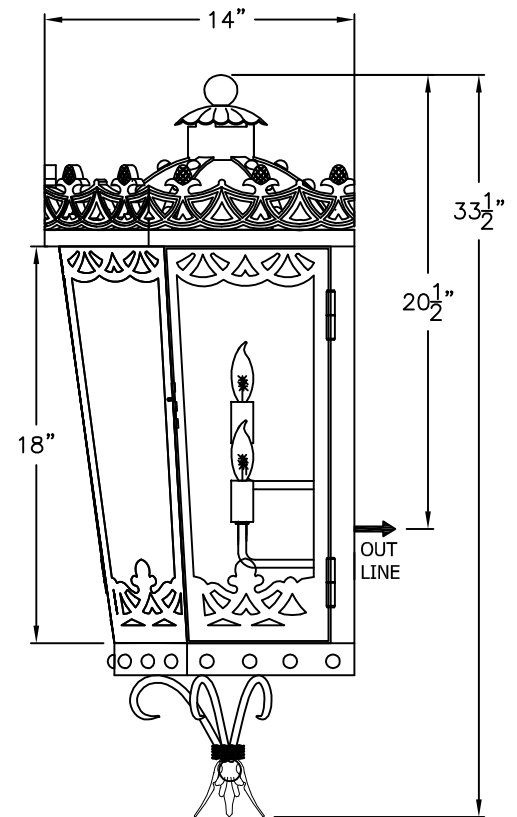
SMALL
D-005-001
11" W x 21 1/2" H x 9" W



MEDIUM
D-005-002
13 1/2" W x 26 1/2" H x 11 1/2" W



LARGE
D-005-003
16" W x 31 1/2" H x 14" W



X-LARGE
D-005-004
16" W x 33 1/2" H x 14" W

**ONLY AVAILABLE
IN ELECTRIC**

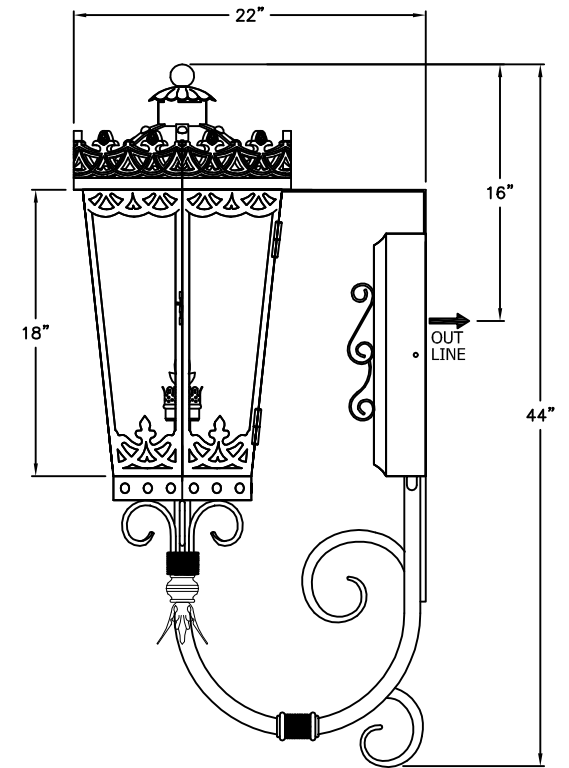
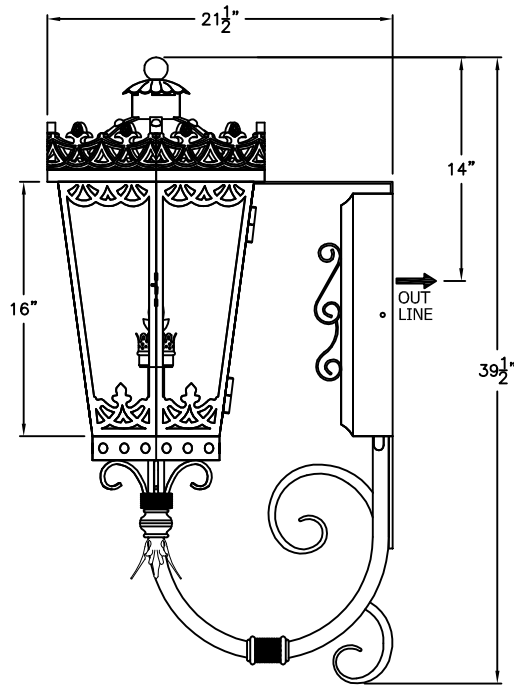
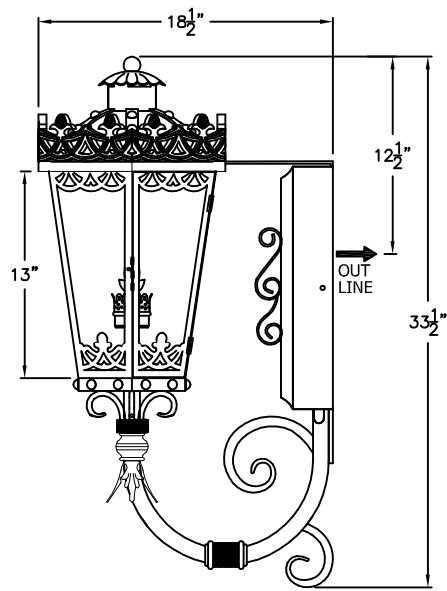
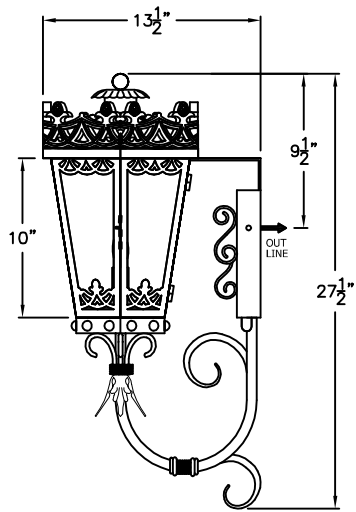
* ACTUAL DIMENSIONS MAY VARY UP TO 1/2"

CUSTOM DRAWING CHANGES:

© 2010 SOLARA ENCHAINMENT
UNAUTHORIZED USE OF THIS
PLAN IS IN VIOLATION OF THE
U.S. COPYRIGHT ACT TITLE 17
OF THE U.S. CODE.



DESIGN: FRANKFURT
LINE: FLUSH SCONCE MOUNT
FILE: D-005-00SET-EL-S100-2
DATE REV: 12-NOV-10



SMALL
D-005-011

11" W X 27 1/2" H X 13 1/2" D

MEDIUM
D-005-012

13 1/2" W X 33 1/2" H X 18 1/2" D

LARGE
D-005-013

16" W X 39 1/2" H X 21 1/2" D

X-LARGE
D-005-014

16" W X 44" H X 22" D

AVAILABLE IN
GAS & ELECTRIC
WITH EXCEPTION
OF SMALL SIZE

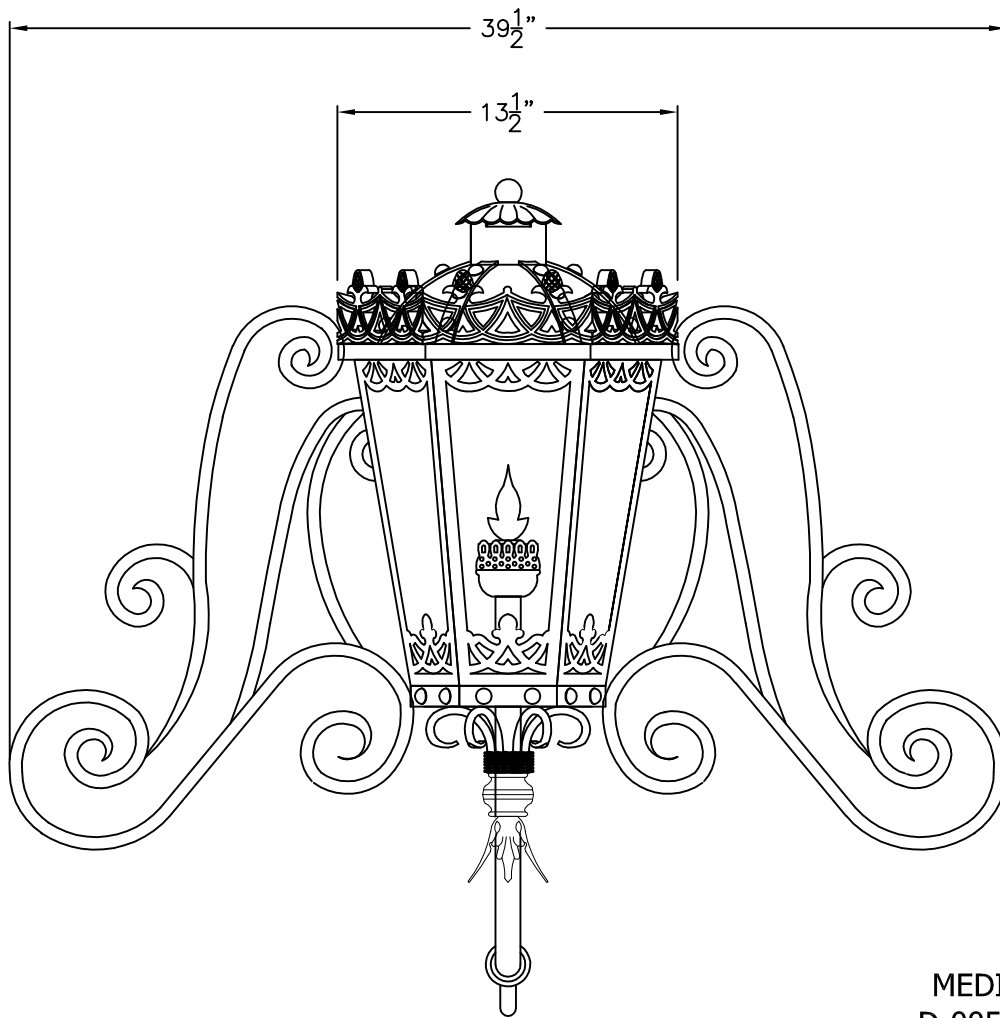
* ACTUAL DIMENSIONS MAY VARY UP TO 1/2"

CUSTOM DRAWING CHANGES:

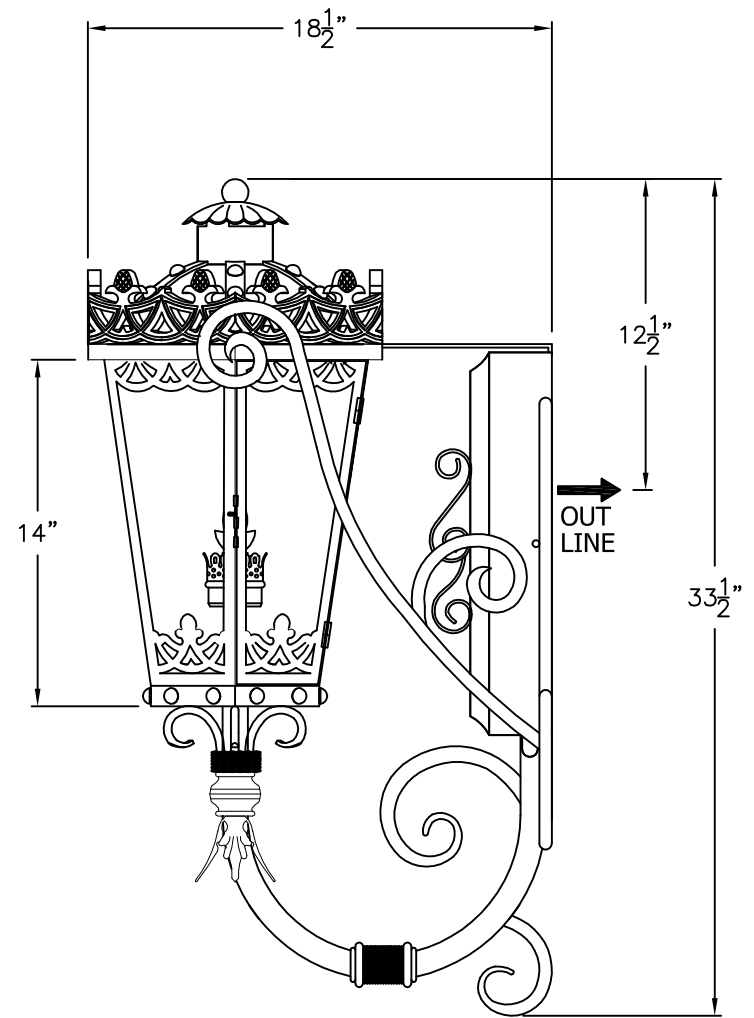
© 2010 SOLARA ENCHAINMENT
UNAUTHORIZED USE OF THIS
PLAN IS IN VIOLATION OF THE
U.S. COPYRIGHT ACT TITLE 17
OF THE U.S. CODE.



DESIGN:	FRANKFURT
LINE:	WALL MOUNT
FILE:	D-005-01SET-EG-S100-2
DATE REV:	12-NOV-10



FRONT VIEW



SIDE VIEW

MEDIUM
D-005-022
39 1/2" W X 33 1/2" H X 18 1/2" D

AVAILABLE IN
GAS & ELECTRIC
WITH EXCEPTION
OF SMALL SIZE

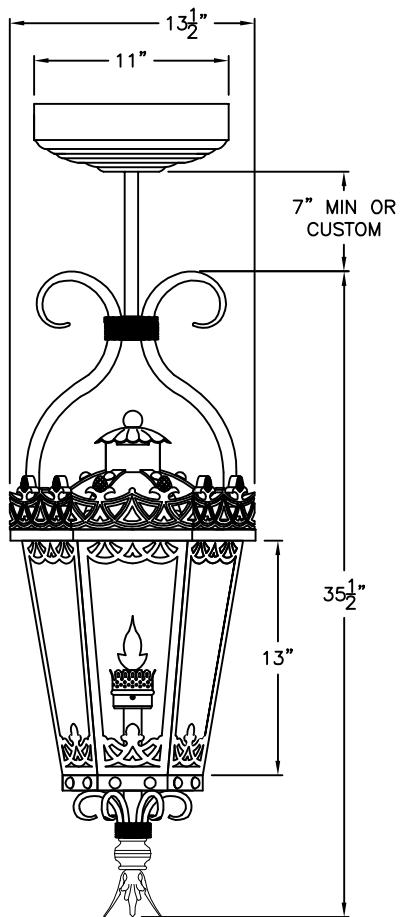
* ACTUAL DIMENSIONS MAY VARY UP TO 1/2"

CUSTOM DRAWING CHANGES:

© 2010 SOLARA ENCHAINMENT
UNAUTHORIZED USE OF THIS
PLAN IS IN VIOLATION OF THE
U.S. COPYRIGHT ACT TITLE 17
OF THE U.S. CODE.



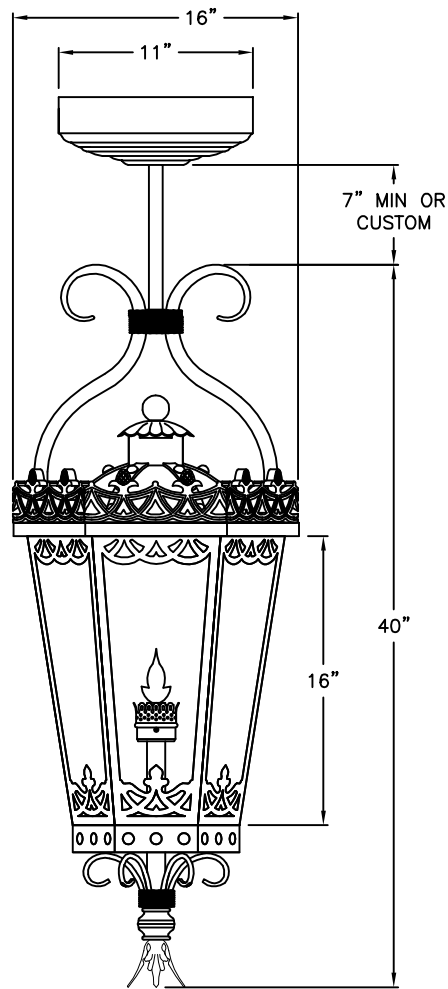
DESIGN:	FRANKFURT
LINE:	CENTRAL MOUNT
FILE:	D-005-022-EG-S100-1
DATE REV:	12-NOV-10



MEDIUM
D-005-032

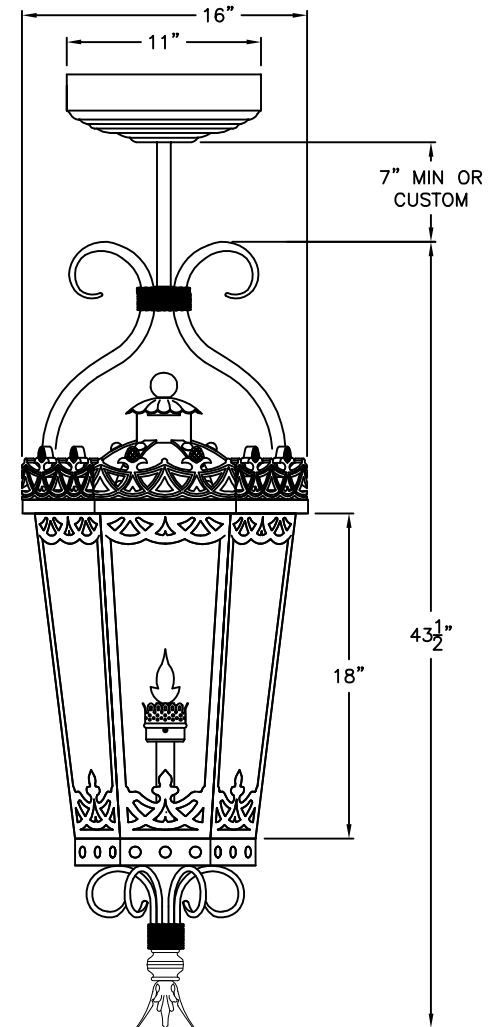
13 1/2" W x 35 1/2" H x 11 1/2" D

AVAILABLE IN
GAS & ELECTRIC
WITH EXCEPTION
OF SMALL SIZE



LARGE
D-005-033

16" W x 40" H x 14" D



X-LARGE
D-005-034

16" W X 43 1/2" H x 14" D

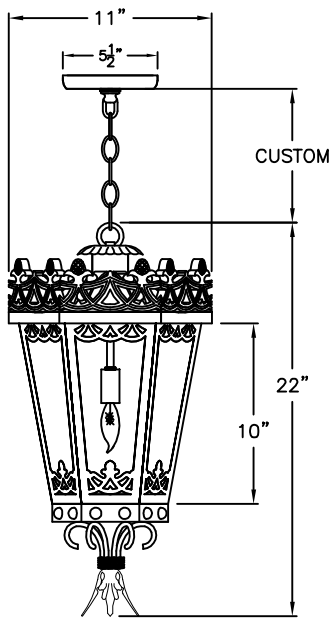
* ACTUAL DIMENSIONS MAY VARY UP TO 1/2"

CUSTOM DRAWING CHANGES:

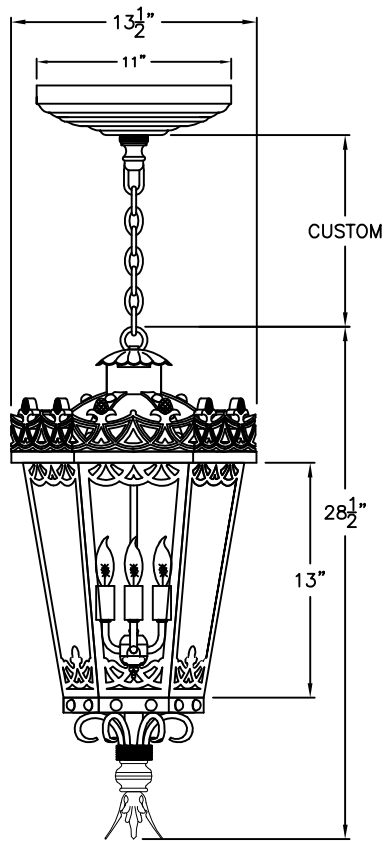
© 2011 SOLARA ENCHAINMENT
UNAUTHORIZED USE OF THIS
PLAN IS IN VIOLATION OF THE
U.S. COPYRIGHT ACT TITLE 17
OF THE U.S. CODE.



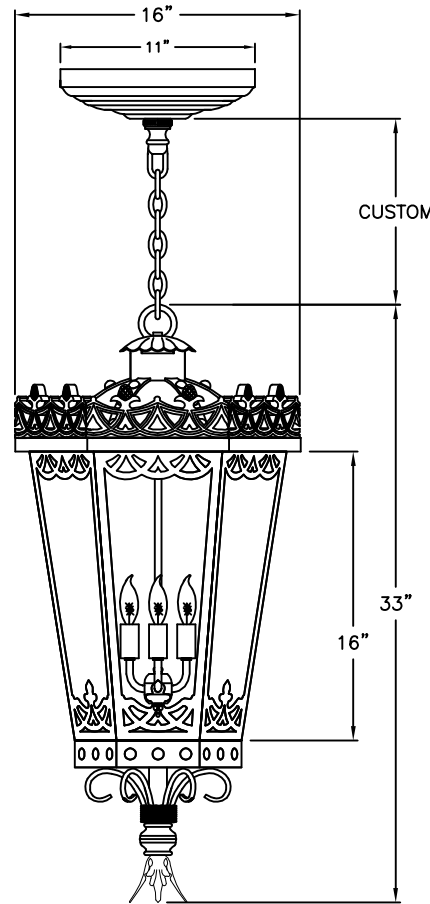
DESIGN: FRANKFURT
LINE: PENDANT STEM MOUNT
FILE: D-005-03SET-EG-S100-2
DATE REV: 20-JUNE-11



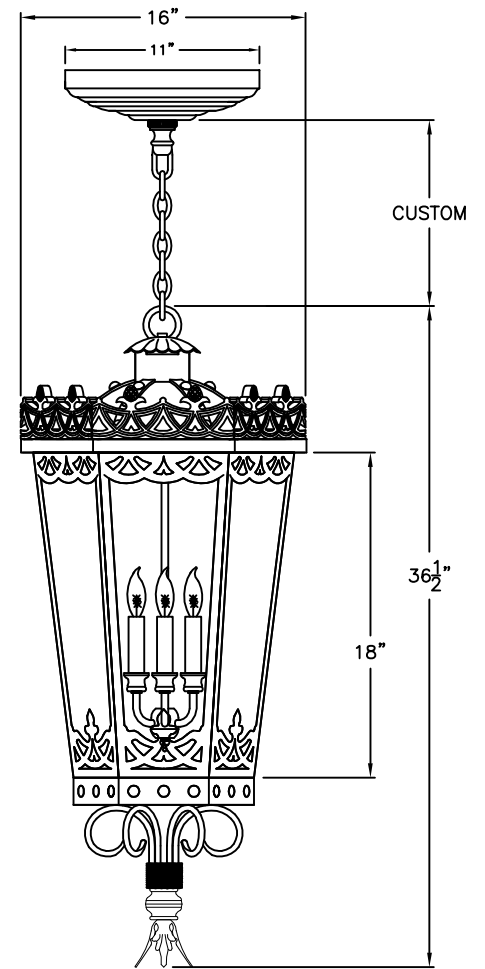
SMALL
D-005-041
 11" W x 22" H x 9 1/2" D



MEDIUM
D-005-042
 13 1/2" W x 28 1/2" H x 11 1/2" D



LARGE
D-005-043
 16" W x 33" H x 14" D



X-LARGE
D-005-044
 16" W X 36 1/2" H x 14" D

**ONLY AVAILABLE
 IN ELECTRIC**

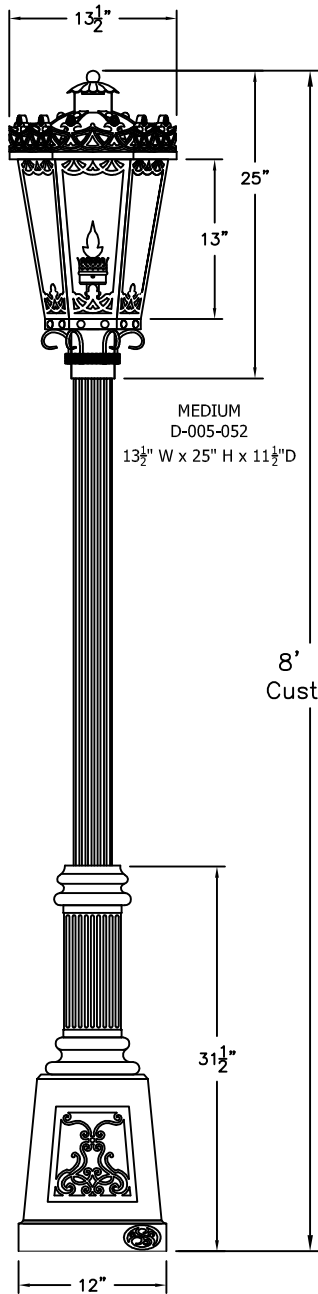
* ACTUAL DIMENSIONS MAY VARY UP TO 1/2"

CUSTOM DRAWING CHANGES:

© 2011 SOLARA ENCHAINMENT
 UNAUTHORIZED USE OF THIS
 PLAN IS IN VIOLATION OF THE
 U.S. COPYRIGHT ACT TITLE 17
 OF THE U.S. CODE.

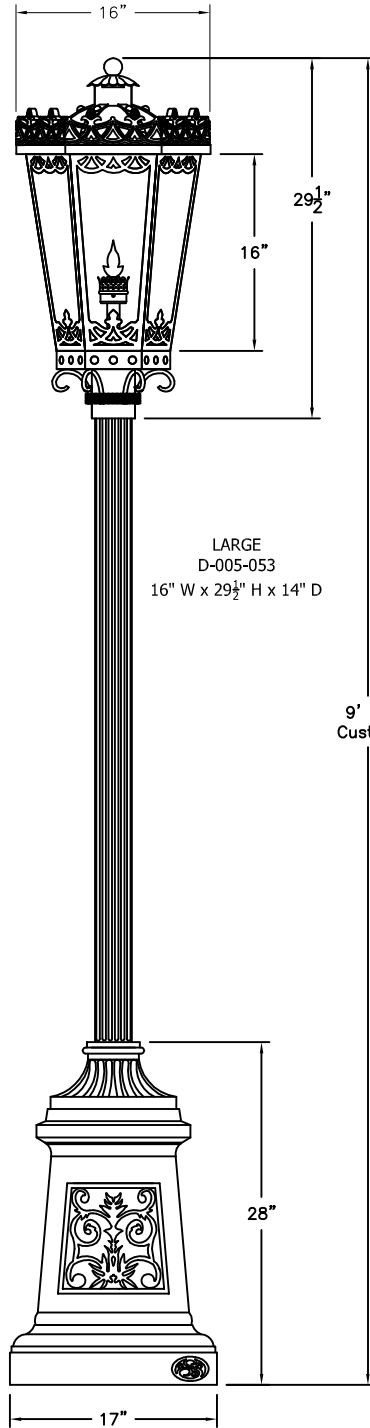


DESIGN: **FRANKFURT**
 LINE: **PENDANT CHAIN MOUNT**
 FILE: **D-005-04SET-EL-S100-2**
 DATE REV: **20-JUNE-11**



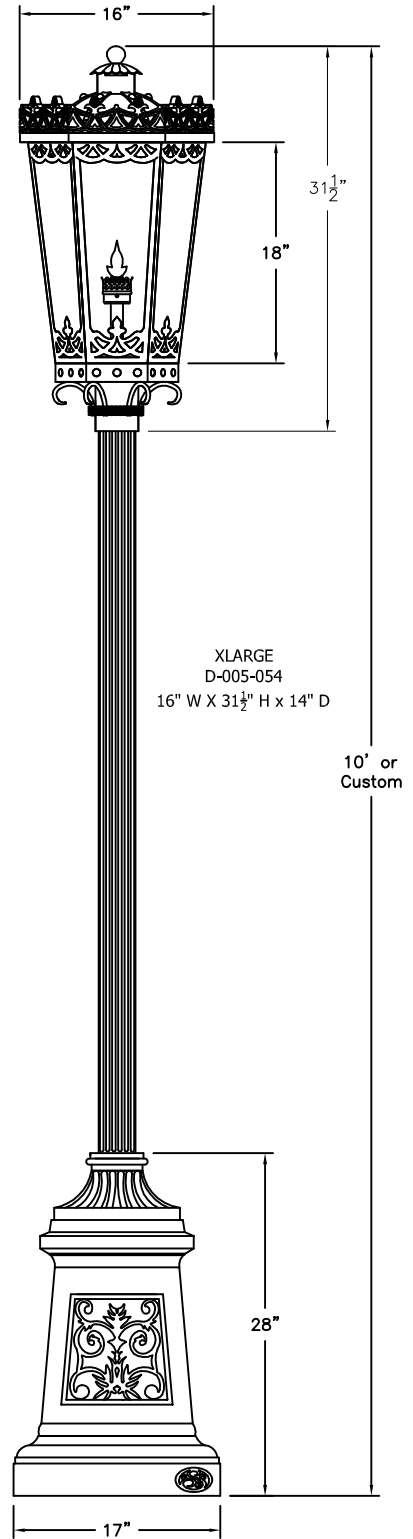
MEDIUM
D-005-052
13 1/2" W x 25" H x 11 1/2" D

SOLARA BASE



LARGE
D-005-053
16" W x 29 1/2" H x 14" D

MUNICH BASE



XLARGE
D-005-054
16" W x 31 1/2" H x 14" D

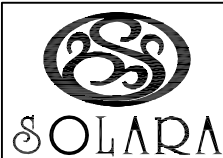
10' or
Custom

AVAILABLE IN
GAS & ELECTRIC
WITH EXCEPTION
OF SMALL SIZE

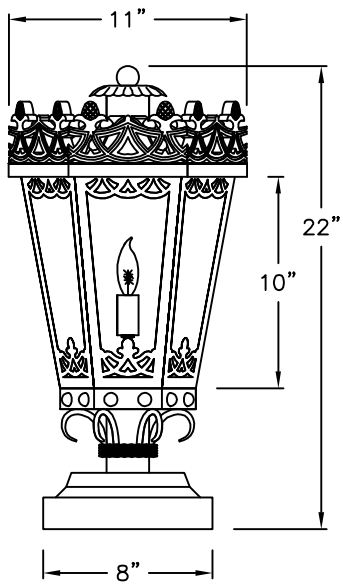
* POST ARE SOLD SEPARATELY
* ACTUAL DIMENSIONS MAY VARY UP TO 1/2"

CUSTOM DRAWING CHANGES:

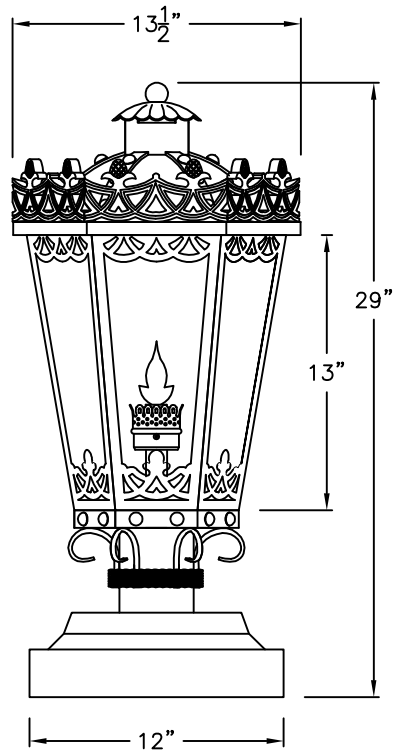
© 2011 SOLARA ENCHAINMENT
UNAUTHORIZED USE OF THIS
PLAN IS IN VIOLATION OF THE
U.S. COPYRIGHT ACT TITLE 17
OF THE U.S. CODE



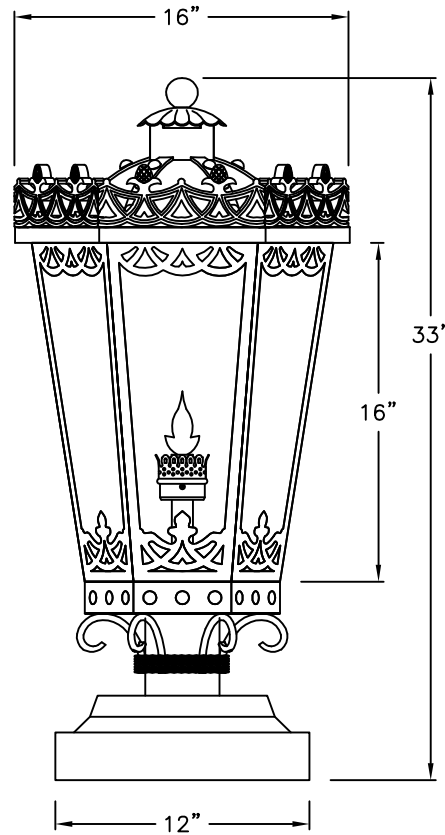
DESIGN: FRANKFURT
LINE: POST MOUNT
FILE: D-005-05SET-EG-S100-2
DATE REV: 20-JUNE-11



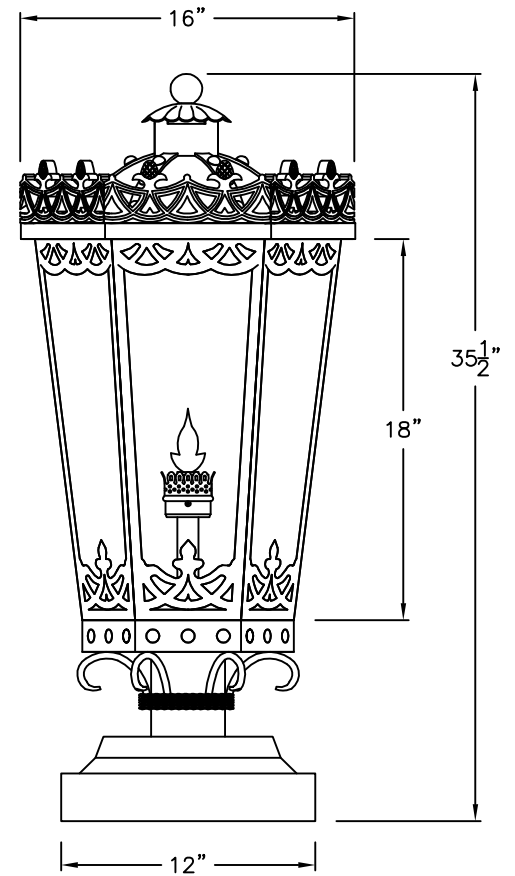
SMALL
D-005-061
11" W x 22" H x 9 $\frac{1}{2}$ " D



MEDIUM
D-005-062
13 $\frac{1}{2}$ " W x 29" H x 12" D



LARGE
D-005-063
16" W x 33" H x 14" D



X-LARGE
D-005-064
16" W x 35 $\frac{1}{2}$ " H x 14" D

AVAILABLE IN
GAS & ELECTRIC
WITH EXCEPTION
OF SMALL SIZE

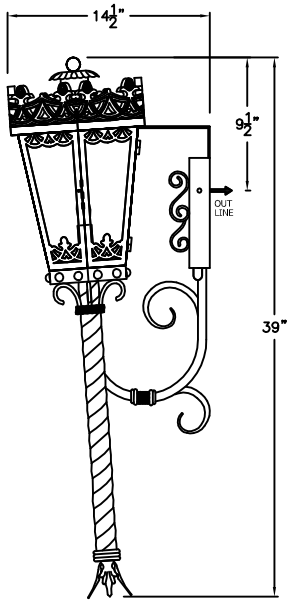
* ACTUAL DIMENSIONS MAY VARY UP TO 1/2"

CUSTOM DRAWING CHANGES:

© 2011 SOLARA ENCHAINMENT
UNAUTHORIZED USE OF THIS
PLAN IS IN VIOLATION OF THE
U.S. COPYRIGHT ACT TITLE 17
OF THE U.S. CODE.

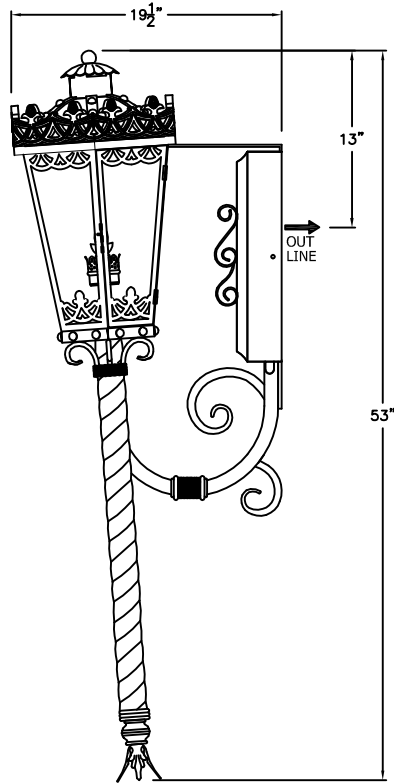


DESIGN:	FRANKFURT
LINE:	PIER MOUNT
FILE:	D-005-06SET-EG-S100-2
DATE REV:	20-JUNE-11



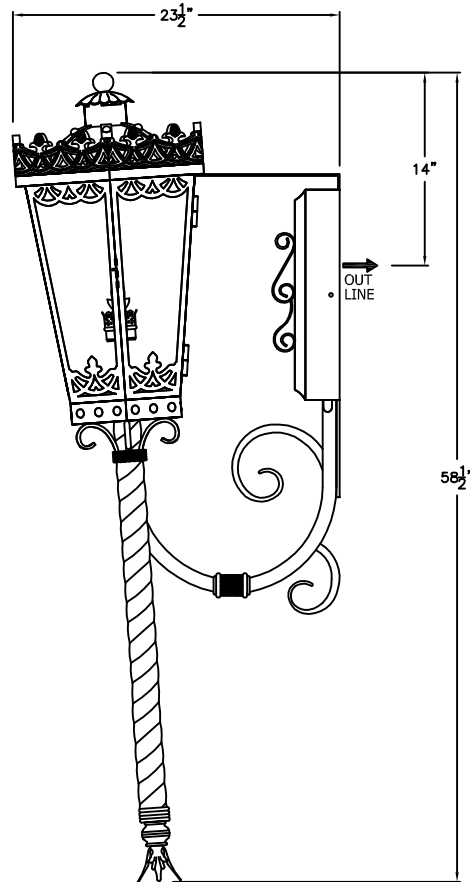
SMALL
D-005-081

11" W x 39" H x 14 1/2" D



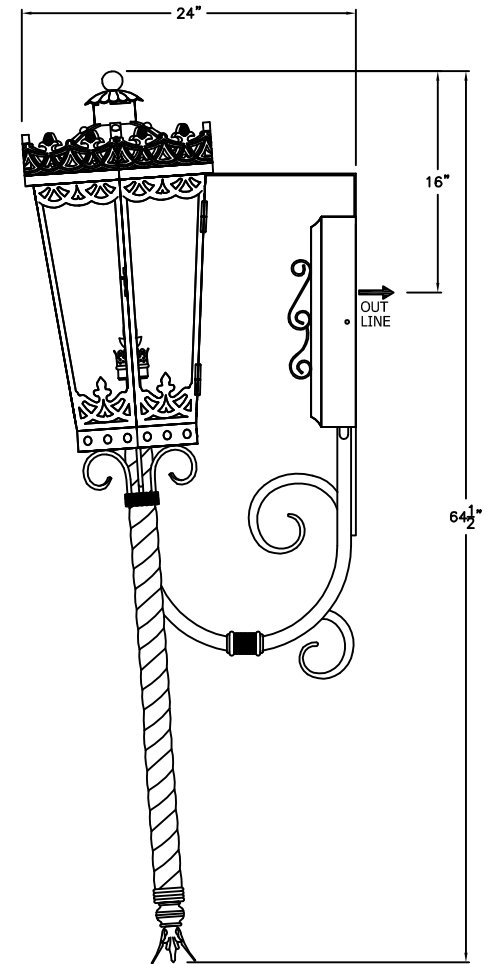
MEDIUM
D-005-082

13 1/2" W x 53" H x 19 1/2" D



LARGE
D-005-083

16" W x 58 1/2" H x 23 1/2" D



X-LARGE
D-005-084

16" W x 64 1/2" H x 24" D

AVAILABLE IN
GAS & ELECTRIC
WITH EXCEPTION
OF SMALL SIZE

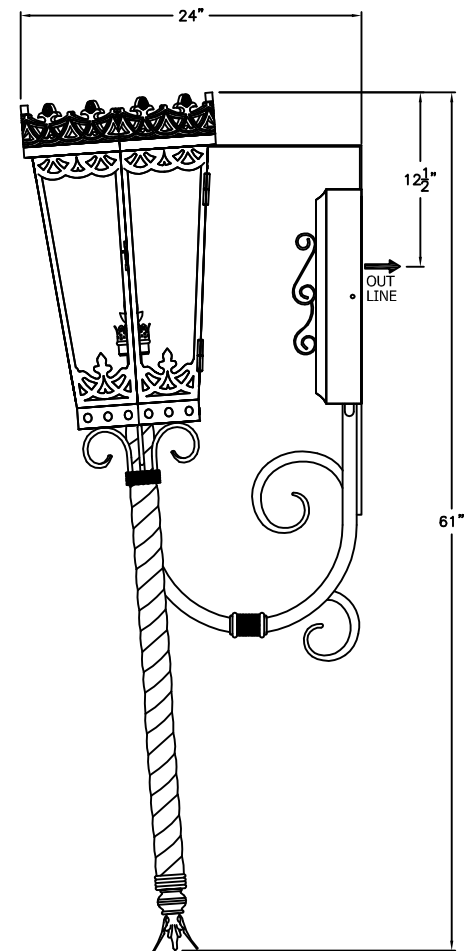
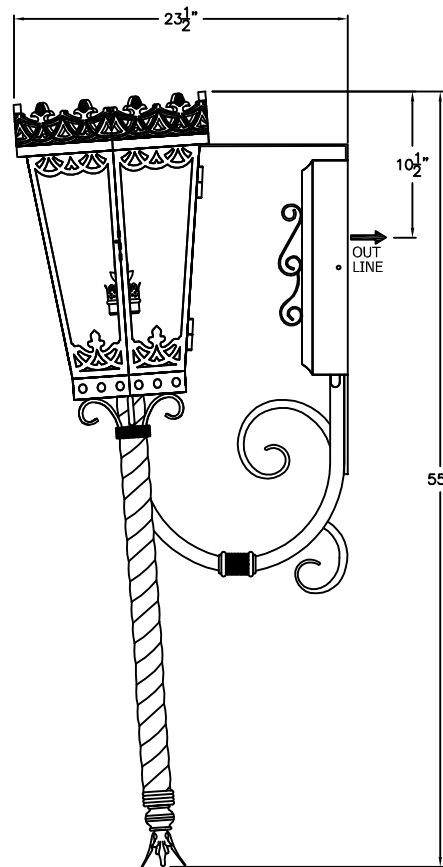
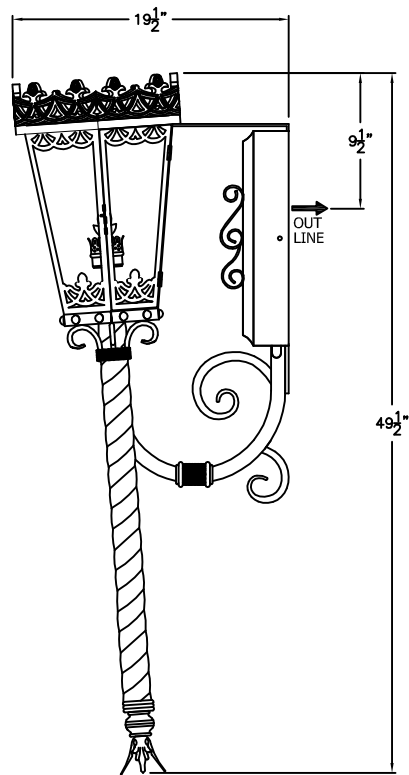
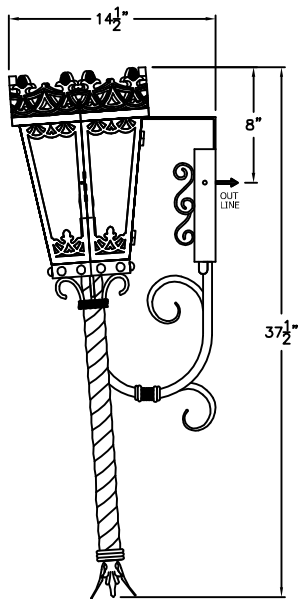
* ACTUAL DIMENSIONS MAY VARY UP TO 1/2"

CUSTOM DRAWING CHANGES:

© 2010 SOLARA ENCHAINMENT
UNAUTHORIZED USE OF THIS
PLAN IS IN VIOLATION OF THE
U.S. COPYRIGHT ACT TITLE 17
OF THE U.S. CODE



DESIGN:	FRANKFURT
LINE:	TORCH MOUNT
FILE:	D-005-08SET-EG-S100-2
DATE REV:	12-NOV-10



SMALL
D-005-091

11" W x 37 1/2" H x 14 1/2" D

MEDIUM
D-005-092

13 1/2" W x 49 1/2" H x 19 1/2" D

LARGE
D-005-093

16" W x 55" H x 23 1/2" D

X-LARGE
D-005-094

16" W x 61" H x 24" D

AVAILABLE IN
GAS & ELECTRIC
WITH EXCEPTION
OF SMALL SIZE

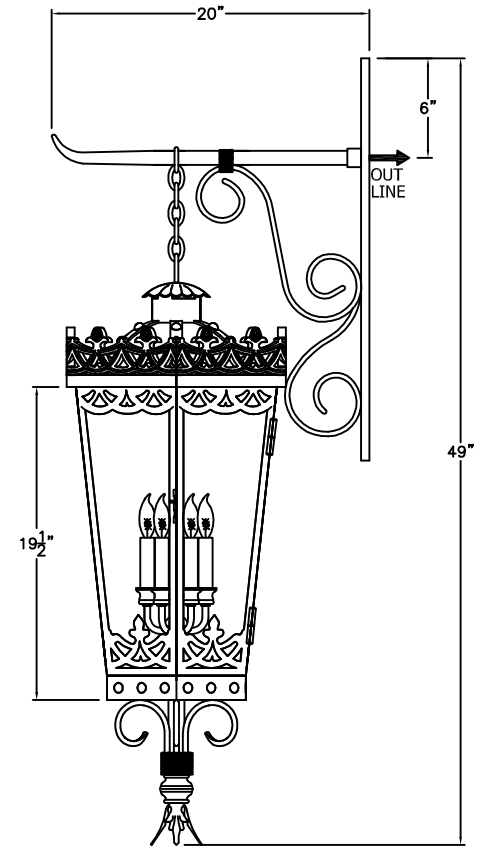
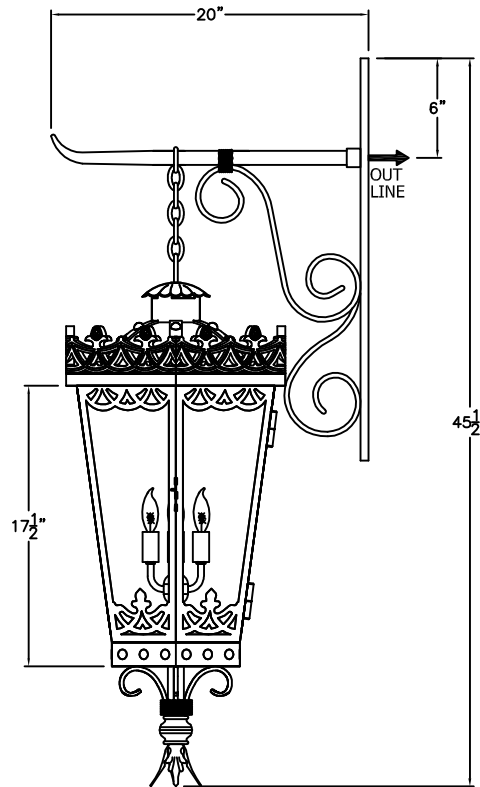
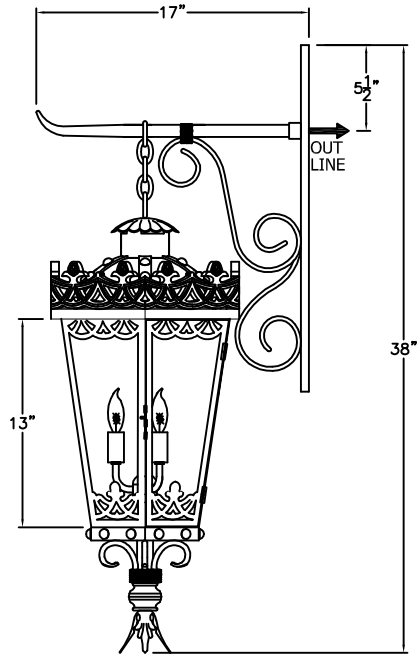
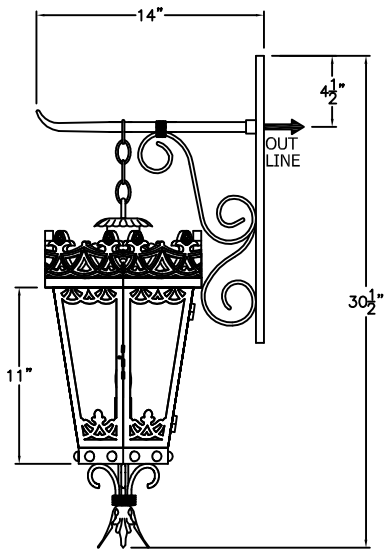
* ACTUAL DIMENSIONS MAY VARY UP TO 1/2"

CUSTOM DRAWING CHANGES:

© 2010 SOLARA ENCHAINMENT
UNAUTHORIZED USE OF THIS
PLAN IS IN VIOLATION OF THE
U.S. COPYRIGHT ACT TITLE 17
OF THE U.S. CODE



DESIGN:	FRANKFURT
LINE:	TORCH MOUNT
FILE:	D-005-09SET-EG-S100-2
DATE REV:	12-NOV-10



SMALL
D-005-101
11" W X 30 $\frac{1}{2}$ " H x 14" D

MEDIUM
D-005-102
13 $\frac{1}{2}$ " W X 38" H x 17" D

LARGE
D-005-103
16" W X 45 $\frac{1}{2}$ " H x 20"

X-LARGE
D-005-104
16" W X 49" H x 20" D

ONLY AVAILABLE
IN ELECTRIC

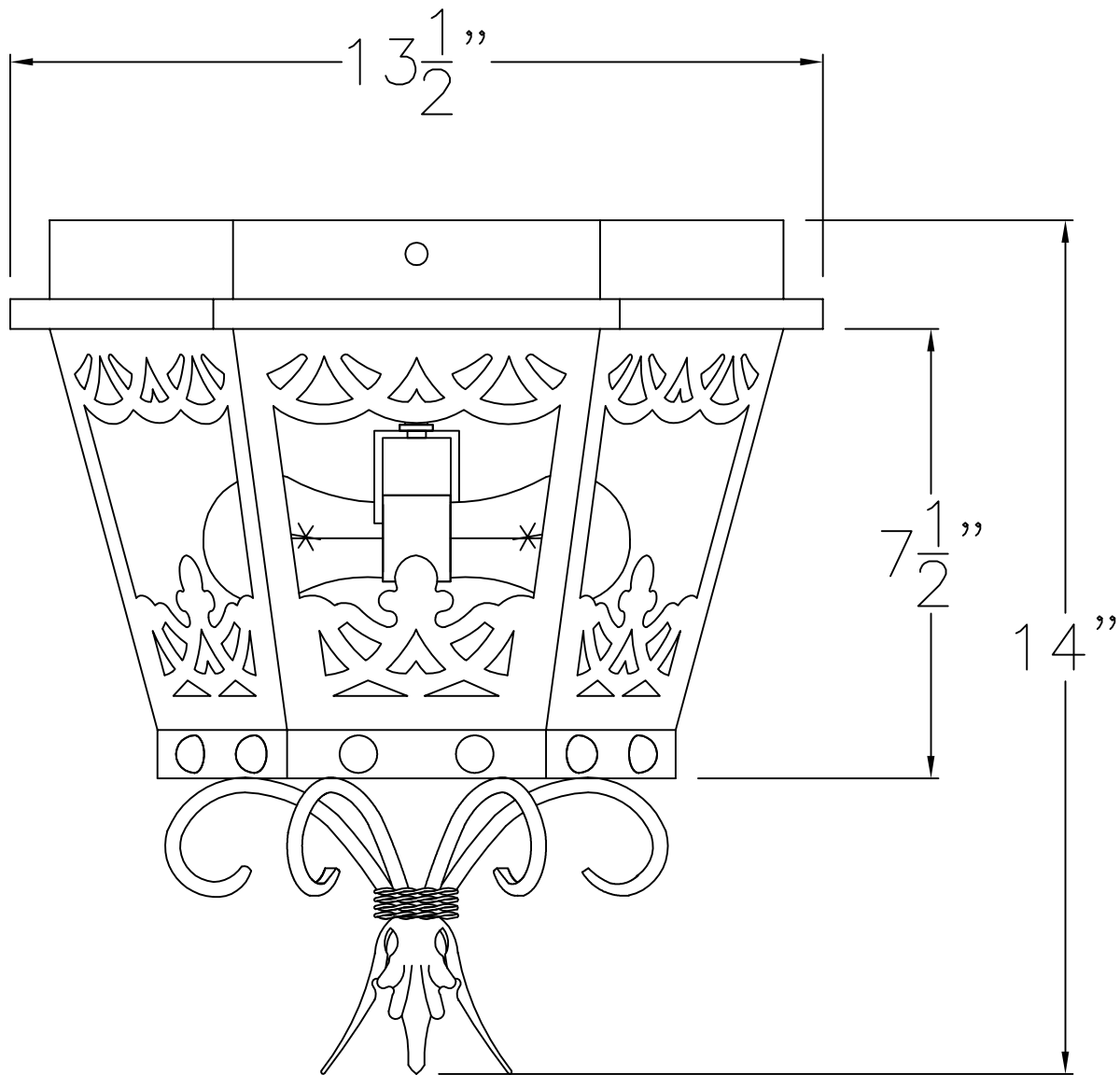
* ACTUAL DIMENSIONS MAY VARY UP TO 1/2"

CUSTOM DRAWING CHANGES:

© 2011 SOLARA ENCHAINMENT
UNAUTHORIZED USE OF THIS
PLAN IS IN VIOLATION OF THE
U.S. COPYRIGHT ACT TITLE 17
OF THE U.S. CODE.



DESIGN:	FRANKFURT
LINE:	HANGING MOUNT
FILE:	D-005-10SET-EL-S100-2
DATE REV:	01-FEB-11



MEDIUM
 D-005-122
 13 1/2" W X 14" H

* ACTUAL DIMENSIONS MAY VARY UP TO 1/2"

ONLY AVAILABLE
 IN ELECTRIC

CUSTOM DRAWING CHANGES:

© 2010 SOLARA ENCHAINMENT
 UNAUTHORIZED USE OF THIS
 PLAN IS IN VIOLATION OF THE
 U.S. COPYRIGHT ACT TITLE 17
 OF THE U.S. CODE.



DESIGN:	FRANKFURT
LINE:	CEILING MOUNT
FILE:	D-005-122-EL-S100-1
DATE REV:	18-NOV-10