



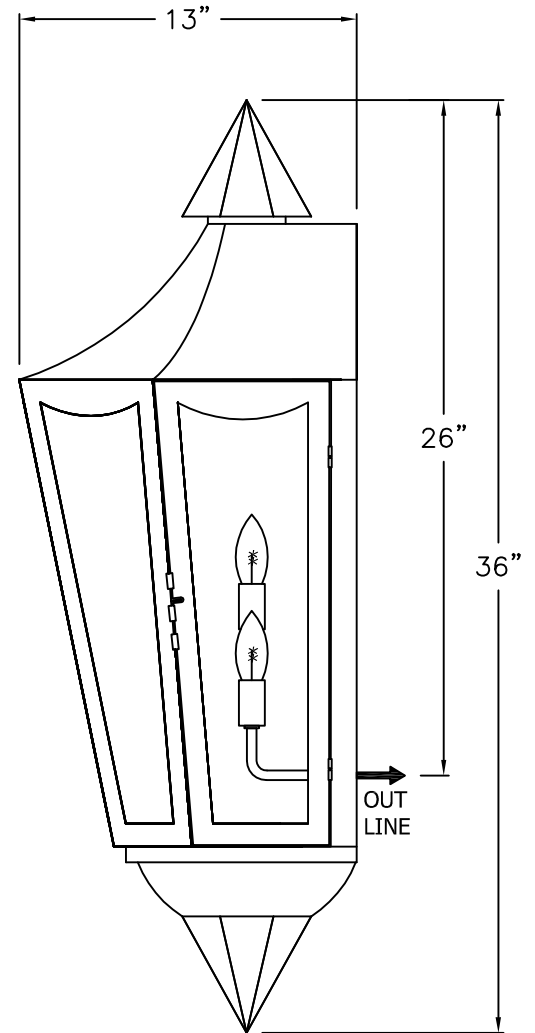
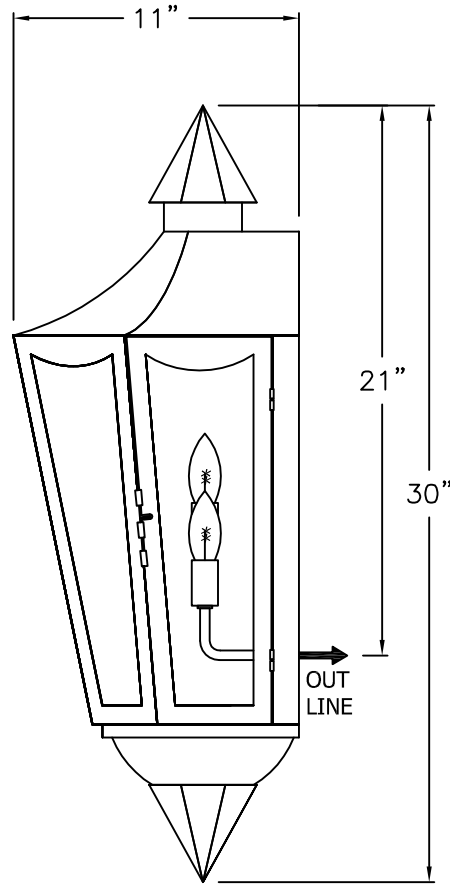
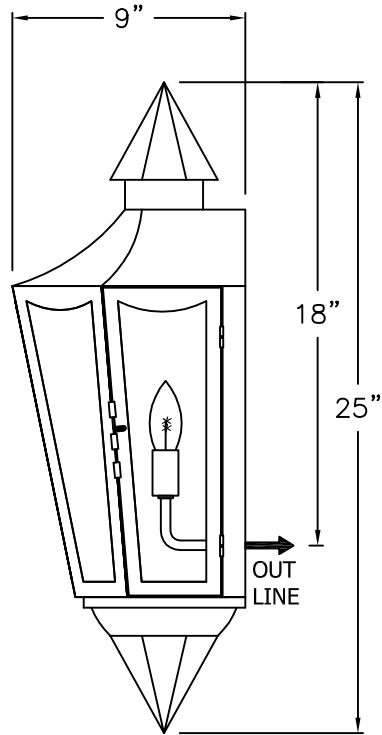
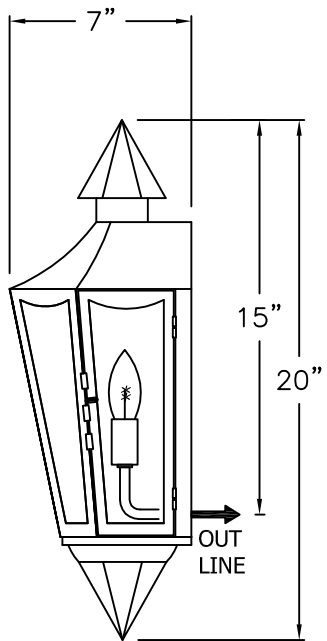
SOLARA

Iron Doors & Lighting



Pavillion - C001





SMALL
C-001-001
8 1/2" W X 20" H X 7" D

MEDIUM
C-001-002
11 1/2" W X 25" H X 9" D

LARGE
C-001-003
14 1/2" W X 30" H X 11" D

XLARGE
C-001-004
17 1/2" W X 36" H X 13" D

ONLY AVAILABLE
IN ELECTRIC

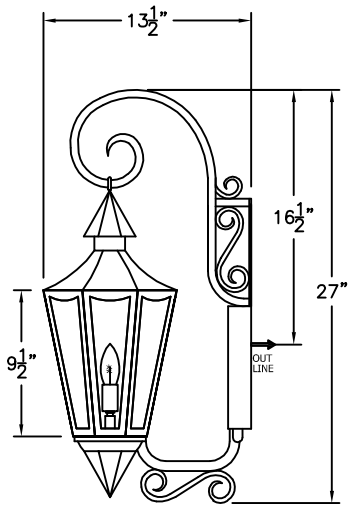
* ACTUAL DIMENSIONS MAY VARY UP TO 1/2"

CUSTOM DRAWING CHANGES:

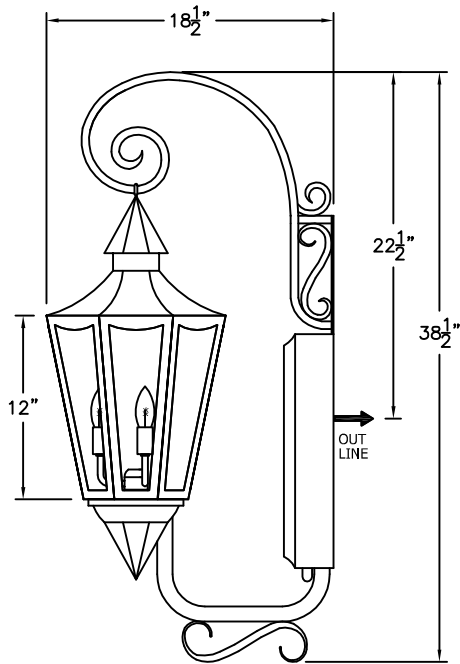
© 2010 SOLARA ENCHAINMENT
UNAUTHORIZED USE OF THIS
PLAN IS IN VIOLATION OF THE
U.S. COPYRIGHT ACT TITLE 17
OF THE U.S. CODE.



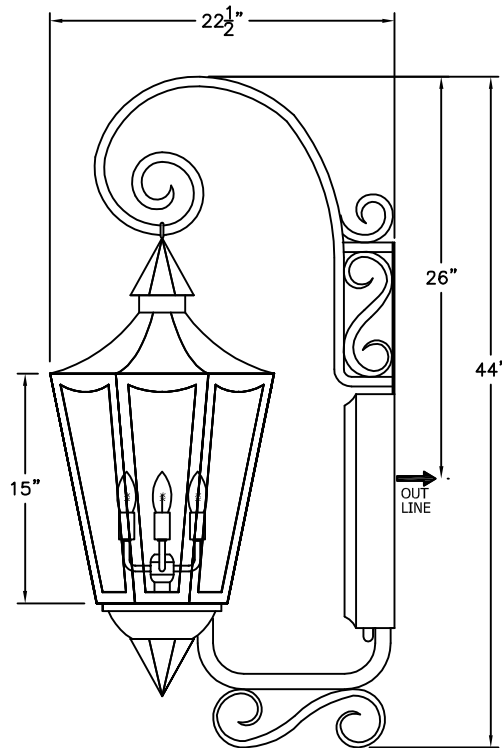
| | |
|-----------|-----------------------|
| DESIGN: | PAVILLION |
| LINE: | SCONCE MOUNT |
| FILE: | C-001-00SET-EL-S100-1 |
| DATE REV: | 27-SEPTEMBER-10 |



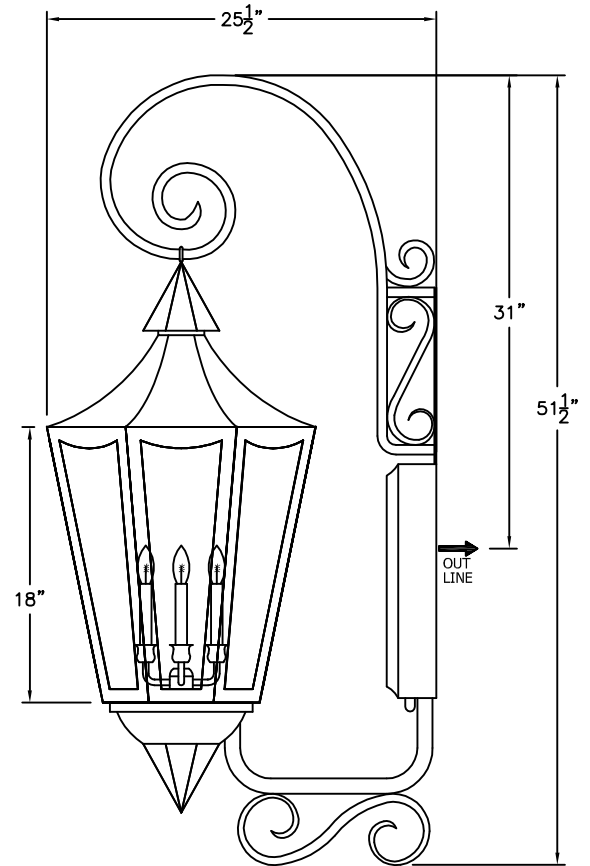
SMALL
C-001-011
8 1/2" W X 27" H X 13 1/2" D



MEDIUM
C-001-012
11 1/2" W X 38 1/2" H X 18 1/2" D



LARGE
C-001-013
14 1/2" W X 44" H X 22 1/2" D



XLARGE
C-001-014
17 1/2" W X 51 1/2" H X 25 1/2" D

AVAILABLE IN
GAS & ELECTRIC
WITH EXCEPTION
OF SMALL SIZE

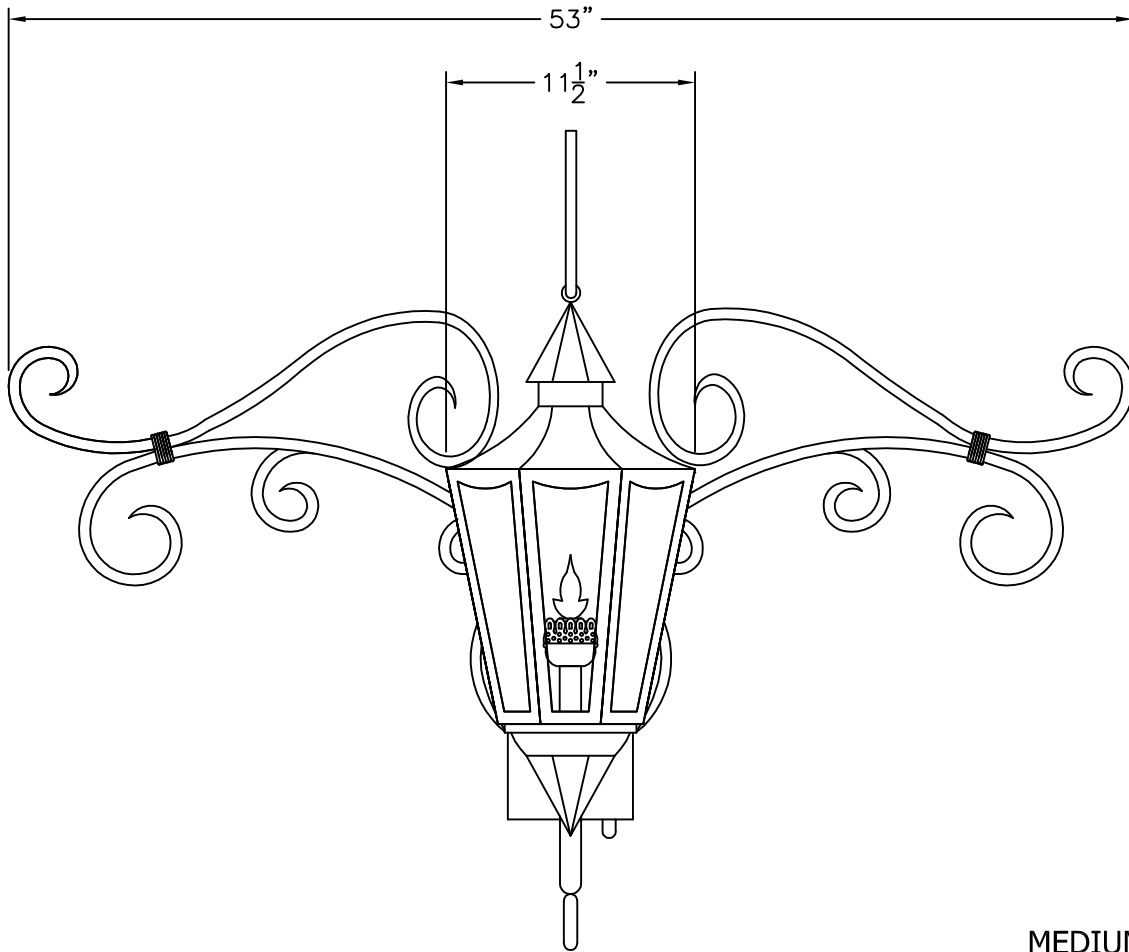
* ACTUAL DIMENSIONS MAY VARY UP TO 1/2"

CUSTOM DRAWING CHANGES:

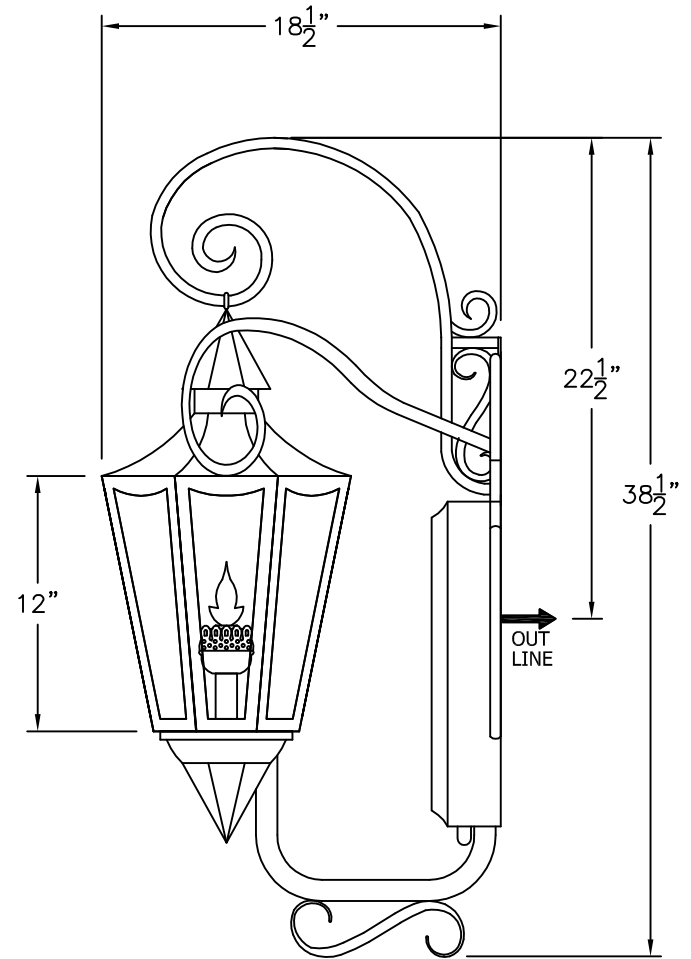
© 2010 SOLARA ENCHAINMENT
UNAUTHORIZED USE OF THIS
PLAN IS IN VIOLATION OF THE
U.S. COPYRIGHT ACT TITLE 17
OF THE U.S. CODE.



| | |
|-----------|-----------------------|
| DESIGN: | PAVILLION |
| LINE: | WALL MOUNT |
| FILE: | C-001-01SET-EL-S100-1 |
| DATE REV: | 28-SEP-10 |



FRONT VIEW



SIDE VIEW

MEDIUM
 C-001-022
 53" W X 38 1/2" H X 18 1/2" D

AVAILABLE IN
 GAS & ELECTRIC
 WITH EXCEPTION
 OF SMALL SIZE

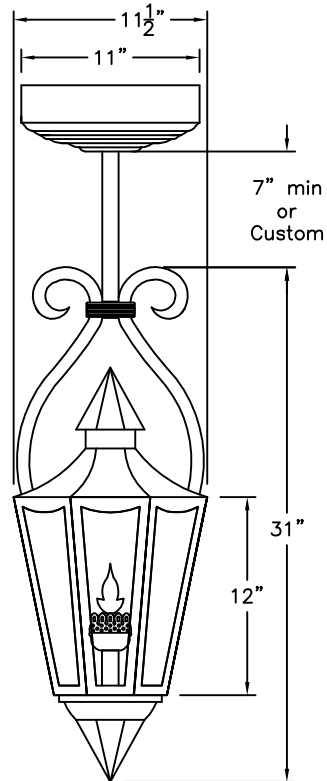
* ACTUAL DIMENSIONS MAY VARY UP TO 1/2"

CUSTOM DRAWING CHANGES:

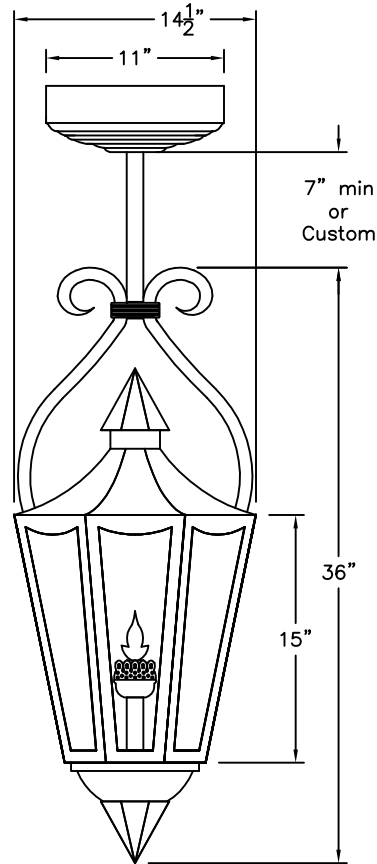
© 2010 SOLARA ENCHAINMENT
 UNAUTHORIZED USE OF THIS
 PLAN IS IN VIOLATION OF THE
 U.S. COPYRIGHT ACT TITLE 17
 OF THE U.S. CODE.



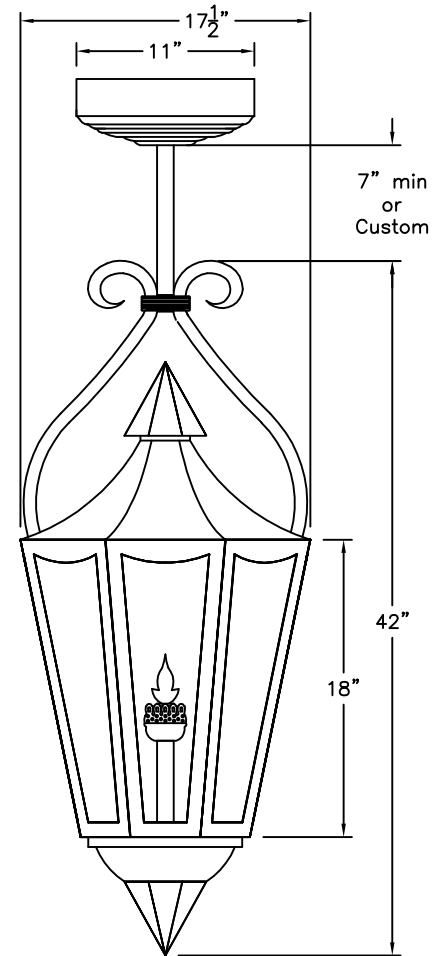
| | |
|-----------|---------------------|
| DESIGN: | PAVILLION |
| LINE: | CENTRAL MOUNT |
| FILE: | C-001-022-EG-S100-1 |
| DATE REV: | 28-SEP-10 |



MEDIUM
C-001-032
11 1/2" W X 31" H X 10" D



LARGE
C-001-033
14 1/2" W X 36" H X 12 1/2" D



XLARGE
C-001-034
17 1/2" W X 42" H X 15" D

AVAILABLE IN
GAS & ELECTRIC
WITH EXCEPTION
OF SMALL SIZE

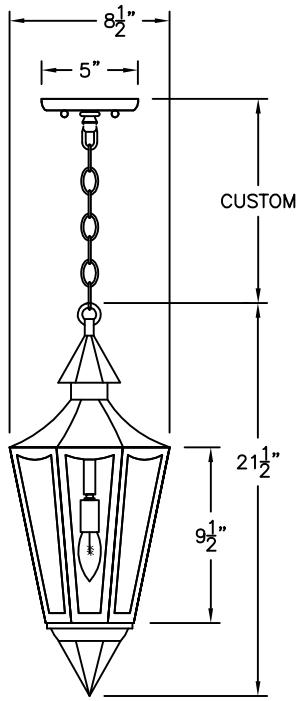
* ACTUAL DIMENSIONS MAY VARY UP TO 1/2"

CUSTOM DRAWING CHANGES:

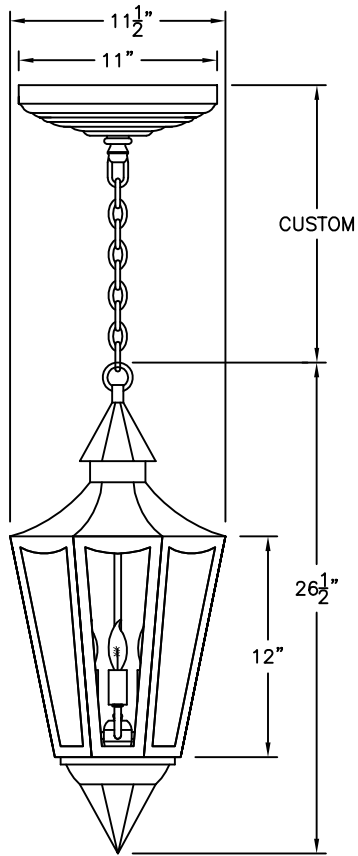
© 2011 SOLARA ENCHAINMENT
UNAUTHORIZED USE OF THIS
PLAN IS IN VIOLATION OF THE
U.S. COPYRIGHT ACT TITLE 17
OF THE U.S. CODE.



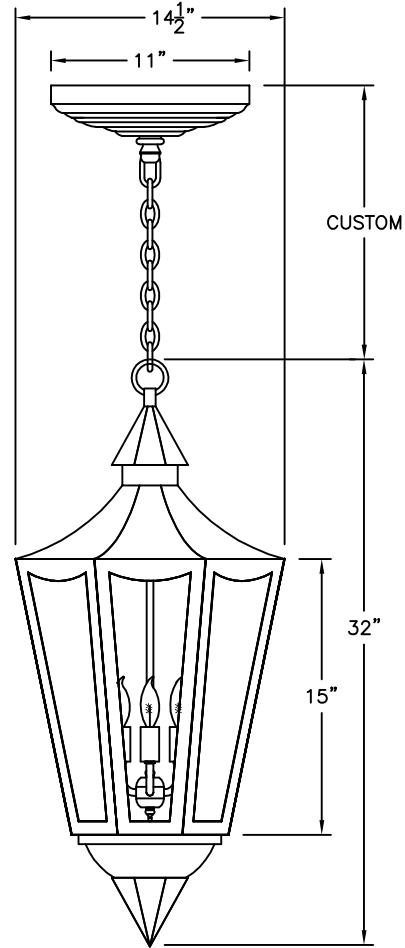
| | |
|-----------|-----------------------|
| DESIGN: | PAVILLION |
| LINE: | PENDANT STEM |
| FILE: | C-001-03SET-EG-S100-1 |
| DATE REV: | 21-JUNE-11 |



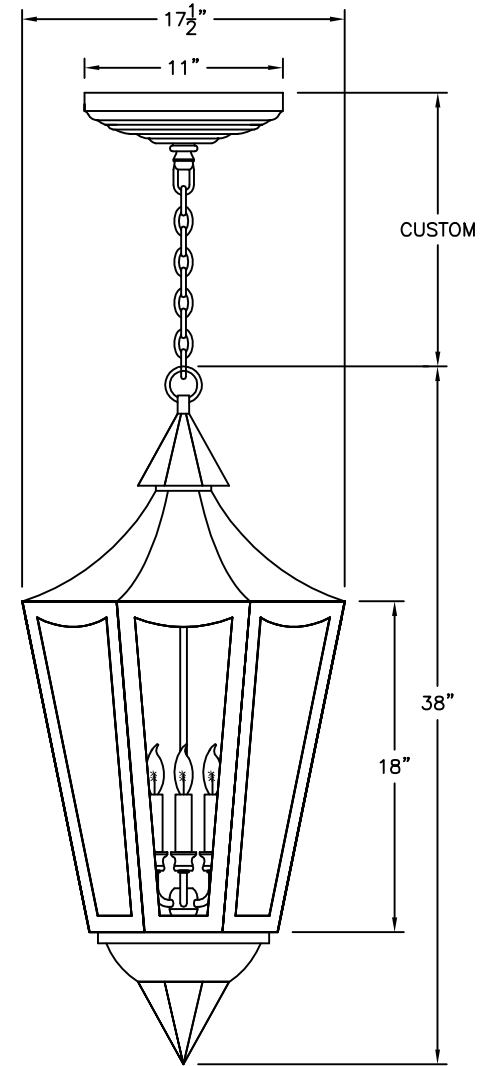
SMALL
C-001-041
8 1/2" W X 21 1/2" H X 7 1/2" D



MEDIUM
C-001-042
11 1/2" W X 26 1/2" H X 10" D



LARGE
C-001-043
14 1/2" W X 32" H X 12 1/2" D



XLARGE
C-001-044
17 1/2" W X 38" H X 15" D

ONLY AVAILABLE
IN ELECTRIC

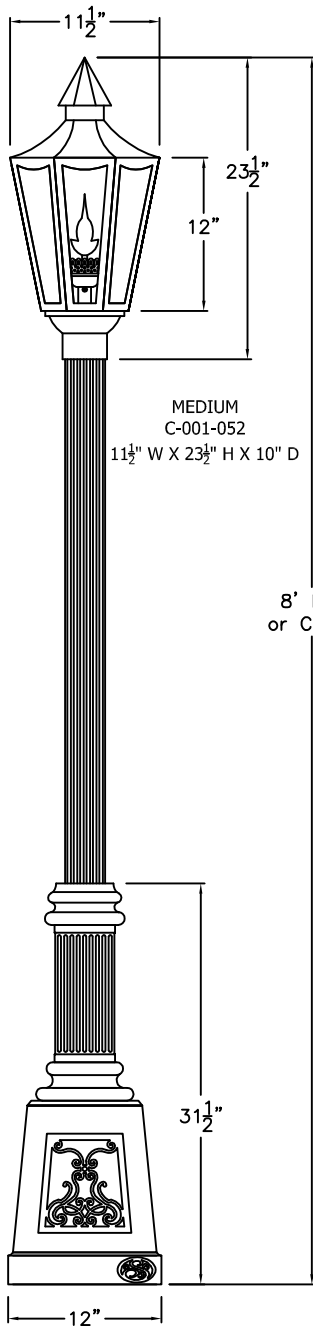
* ACTUAL DIMENSIONS MAY VARY UP TO 1/2"

CUSTOM DRAWING CHANGES:

© 2011 SOLARA ENCHAINMENT
UNAUTHORIZED USE OF THIS
PLAN IS IN VIOLATION OF THE
U.S. COPYRIGHT ACT TITLE 17
OF THE U.S. CODE.



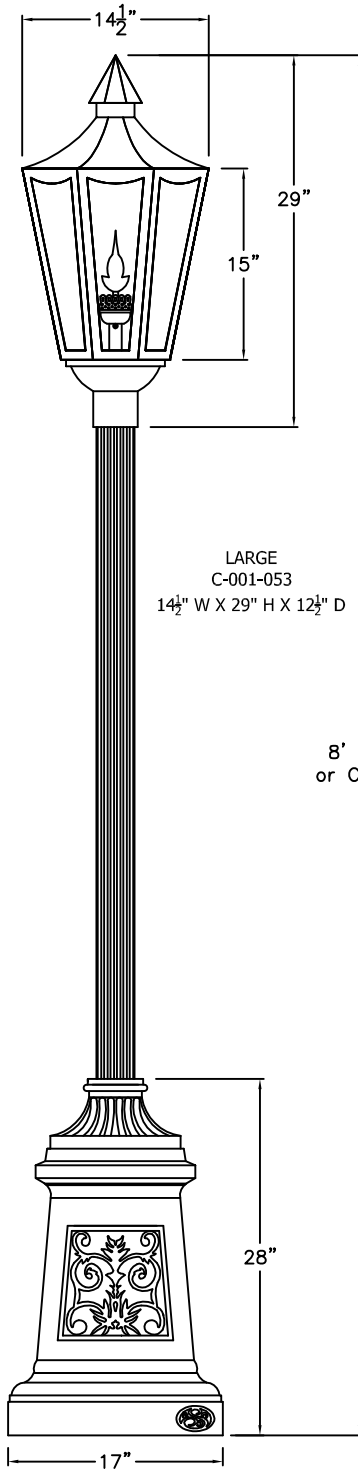
| | |
|-----------|-----------------------|
| DESIGN: | PAVILLION |
| LINE: | PENDANT CHAIN |
| FILE: | C-001-04SET-EL-S100-1 |
| DATE REV: | 21-JUNE-11 |



MEDIUM
C-001-052
11 1/2" W X 23 1/2" H X 10" D

8' MIN
or Custom

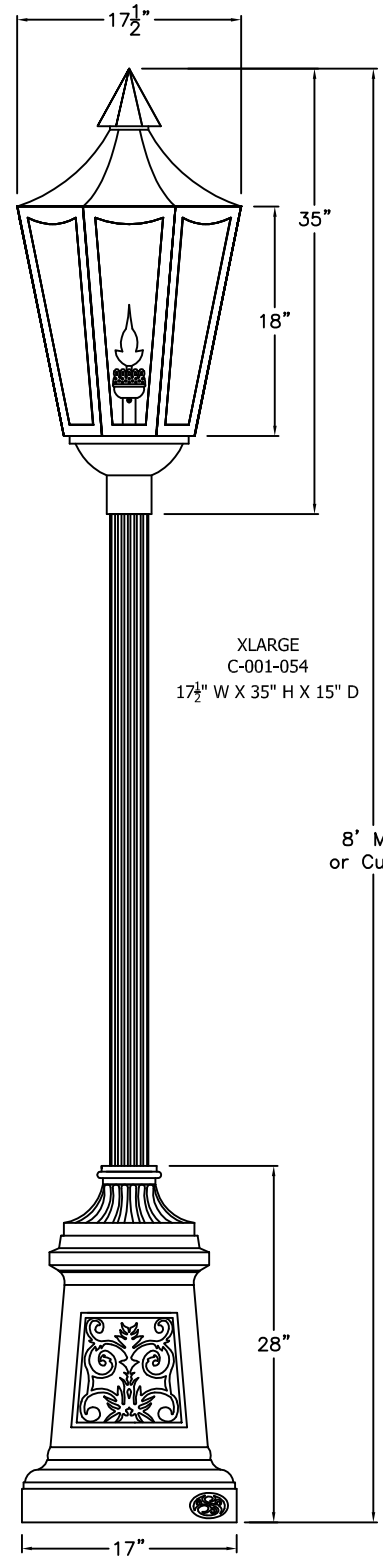
SOLARA BASE



LARGE
C-001-053
14 1/2" W X 29" H X 12 1/2" D

8' MIN
or Custom

MUNICH BASE



XLARGE
C-001-054
17 1/2" W X 35" H X 15" D

8' MIN
or Custom

AVAILABLE IN
GAS & ELECTRIC
WITH EXCEPTION
OF SMALL SIZE

* POST ARE SOLD SEPARATELY
* ACTUAL DIMENSIONS MAY VARY UP TO 1/2"

CUSTOM DRAWING CHANGES:

© 2011 SOLARA ENCHAINMENT
UNAUTHORIZED USE OF THIS
PLAN IS IN VIOLATION OF THE
U.S. COPYRIGHT ACT TITLE 17
OF THE U.S. CODE

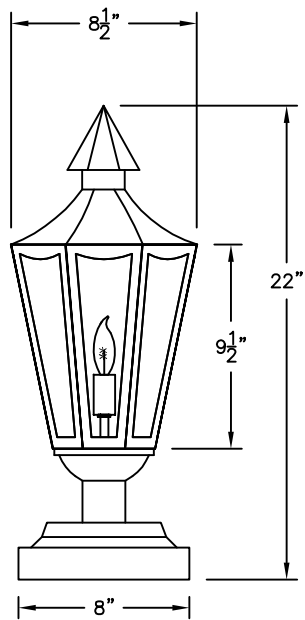


DESIGN: PAVILLION

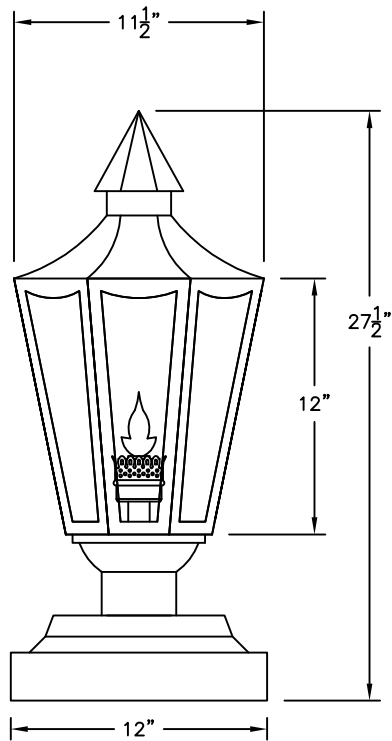
LINE: POST MOUNT

FILE: C-001-05SET-EG-S100-1

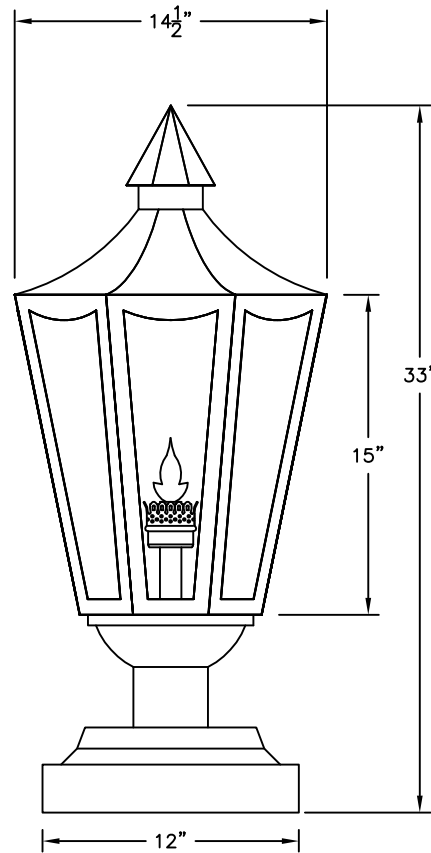
DATE REV: 21-JUNE-11



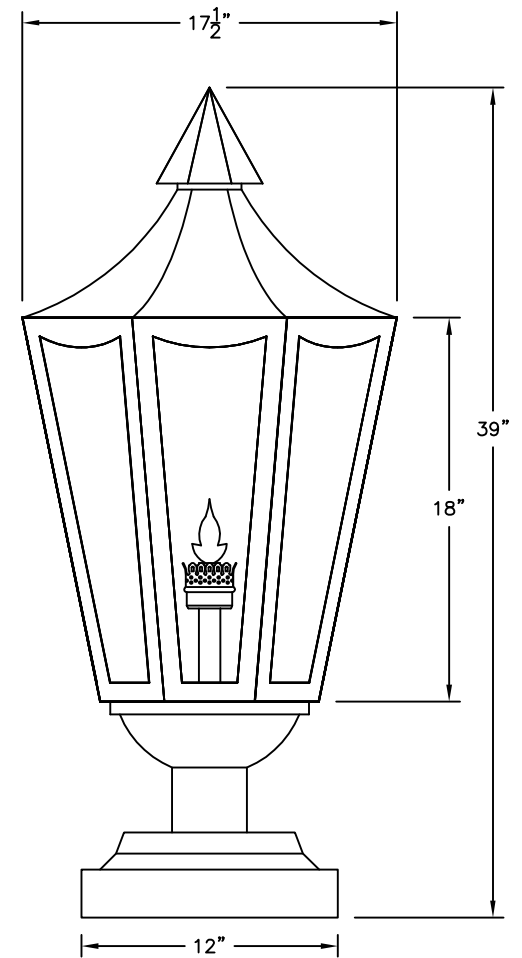
SMALL
C-001-061
8 1/2" W X 22" H X 8" D



MEDIUM
C-001-062
11 1/2" W X 27 1/2" H X 12" D



LARGE
C-001-063
14 1/2" W X 33" H X 12 1/2" D



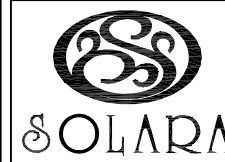
XLARGE
C-001-064
17 1/2" W X 39" H X 15" D

AVAILABLE IN
GAS & ELECTRIC
WITH EXCEPTION
OF SMALL SIZE

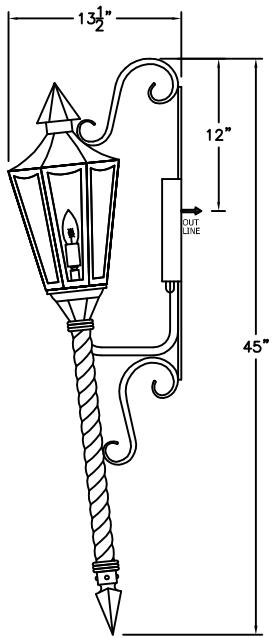
* ACTUAL DIMENSIONS MAY VARY UP TO 1/2"

CUSTOM DRAWING CHANGES:

© 2011 SOLARA ENCHAINMENT
UNAUTHORIZED USE OF THIS
PLAN IS IN VIOLATION OF THE
U.S. COPYRIGHT ACT TITLE 17
OF THE U.S. CODE.

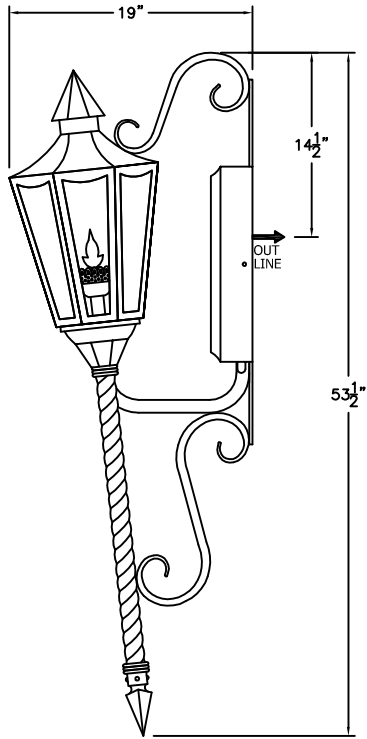


| | |
|-----------|-----------------------|
| DESIGN: | PAVILLION |
| LINE: | PIER MOUNT |
| FILE: | C-001-06SET-EG-S100-1 |
| DATE REV: | 21-JUNE-11 |



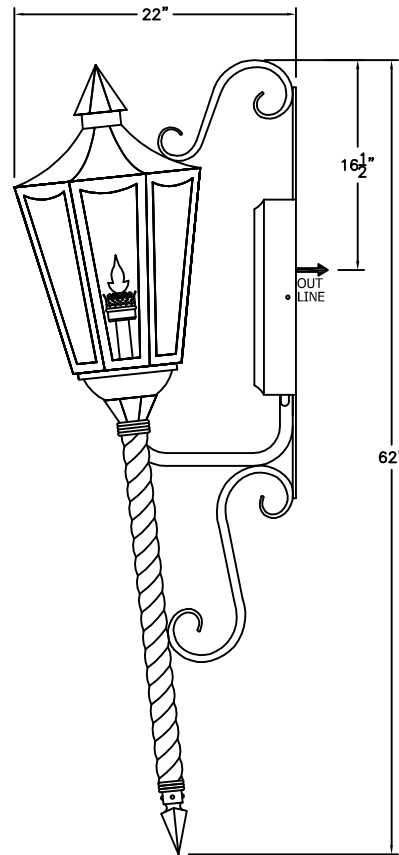
SMALL
C-001-081

8 1/2" W X 45" H X 13 1/2" D



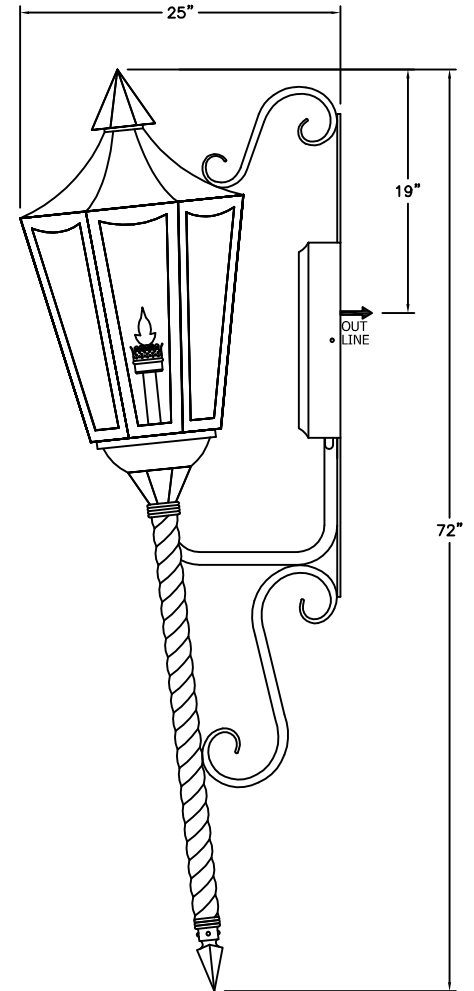
MEDIUM
C-001-082

11 1/2" W X 53 1/2" H X 19" D



LARGE
C-001-083

14 1/2" W X 62" H X 22" D



XLARGE
C-001-084

17 1/2" W X 72" H X 25" D

AVAILABLE IN
GAS & ELECTRIC
WITH EXCEPTION
OF SMALL SIZE

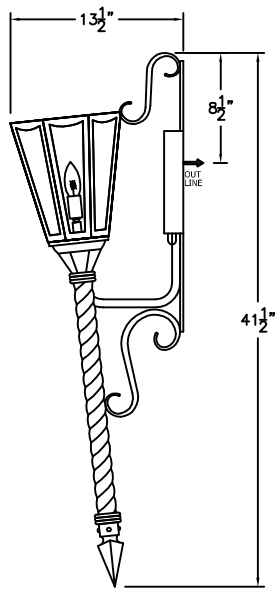
* ACTUAL DIMENSIONS MAY VARY UP TO 1/2"

CUSTOM DRAWING CHANGES:

© 2011 SOLARA ENCHAINMENT
UNAUTHORIZED USE OF THIS
PLAN IS IN VIOLATION OF THE
U.S. COPYRIGHT ACT TITLE 17
OF THE U.S. CODE.

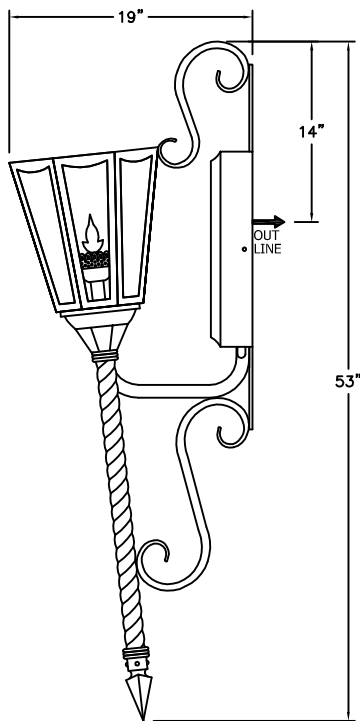


| | |
|-----------|-----------------------|
| DESIGN: | PAVILLION |
| LINE: | TORCH MOUNT |
| FILE: | C-001-08SET-EG-S100-1 |
| DATE REV: | 28-FEB-11 |



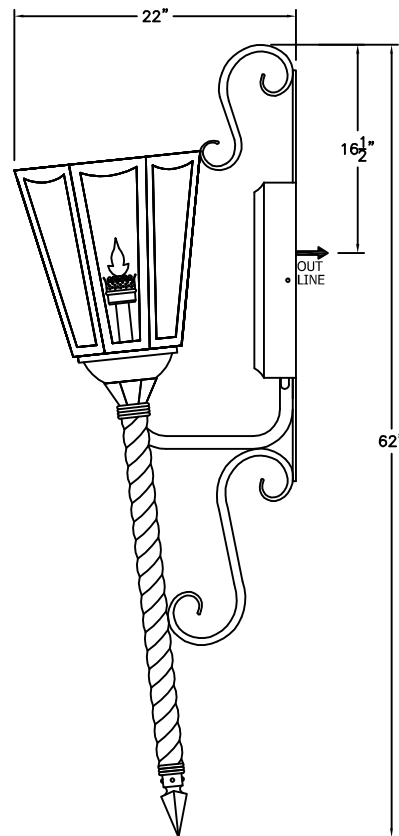
SMALL
C-001-091

8 1/2" W X 41 1/2" H X 13 1/2" D



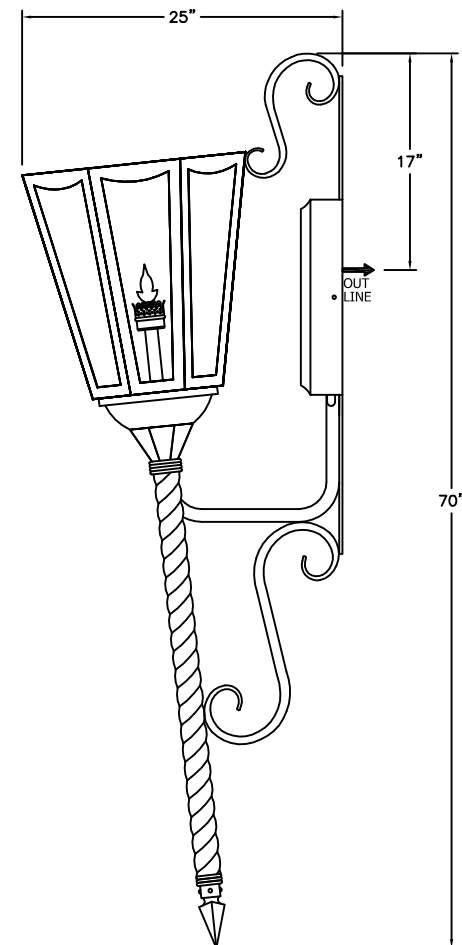
MEDIUM
C-001-092

11 1/2" W X 53" H X 19" D



LARGE
C-001-093

14 1/2" W X 62" H X 22" D



XLARGE
C-001-094

17 1/2" W X 70" H X 25" D

AVAILABLE IN
GAS & ELECTRIC
WITH EXCEPTION
OF SMALL SIZE

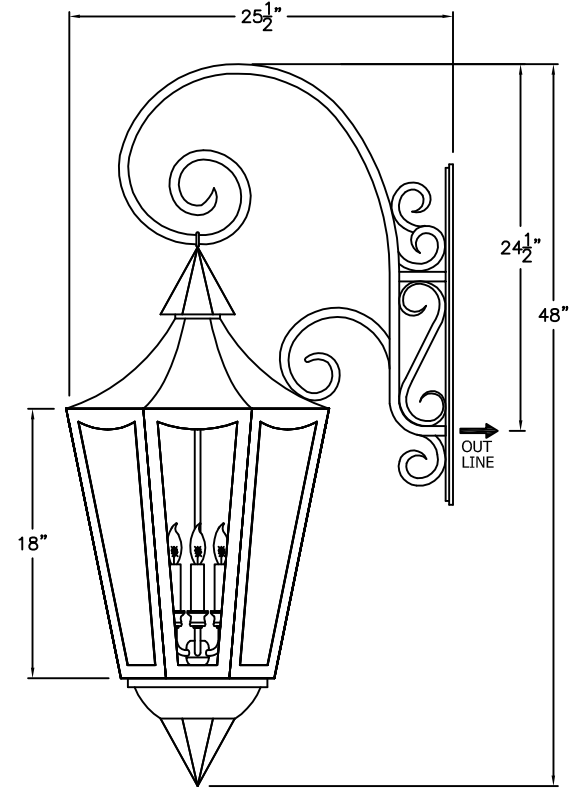
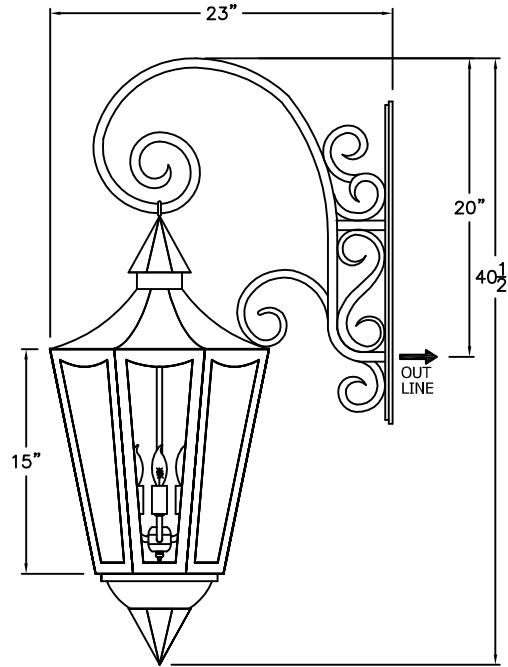
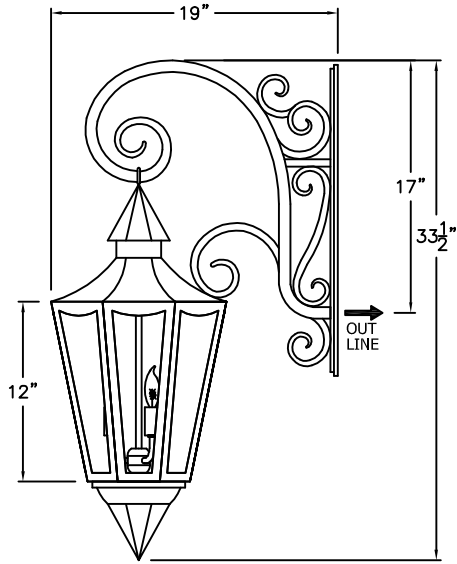
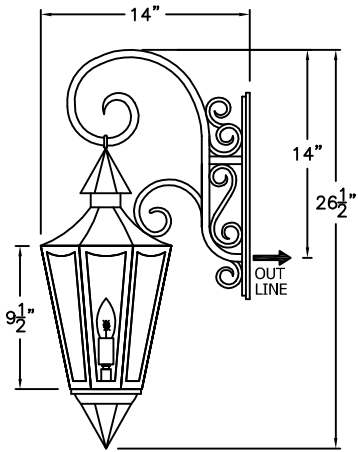
* ACTUAL DIMENSIONS MAY VARY UP TO 1/2"

CUSTOM DRAWING CHANGES:

© 2011 SOLARA ENCHAINMENT
UNAUTHORIZED USE OF THIS
PLAN IS IN VIOLATION OF THE
U.S. COPYRIGHT ACT TITLE 17
OF THE U.S. CODE.



| | |
|-----------|-----------------------|
| DESIGN: | PAVILLION |
| LINE: | TORCH MOUNT |
| FILE: | C-001-09SET-EG-S100-1 |
| DATE REV: | 28-FEB-11 |



SMALL
C-001-101

8 1/2" W X 26 1/2" H X 14" D

MEDIUM
C-001-102

11 1/2" W X 33 1/2" H X 19" D

LARGE
C-001-103

14 1/2" W X 40 1/2" H X 23" D

XLARGE
C-001-104

17 1/2" W X 48" H X 25 1/2" D

ONLY AVAILABLE
IN ELECTRIC

* ACTUAL DIMENSIONS MAY VARY UP TO 1/2"

CUSTOM DRAWING CHANGES:

© 2011 SOLARA ENCHAINMENT
UNAUTHORIZED USE OF THIS
PLAN IS IN VIOLATION OF THE
U.S. COPYRIGHT ACT TITLE 17
OF THE U.S. CODE.



| | |
|-----------|-----------------------|
| DESIGN: | PAVILLION |
| LINE: | HANGING MOUNT |
| FILE: | C-001-10SET-EL-S100-1 |
| DATE REV: | 01-MARCH-11 |