



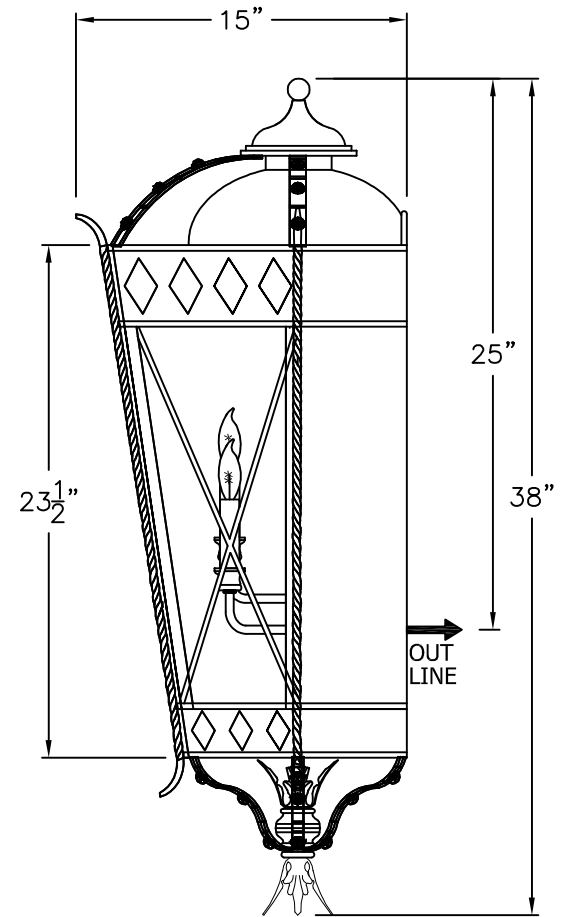
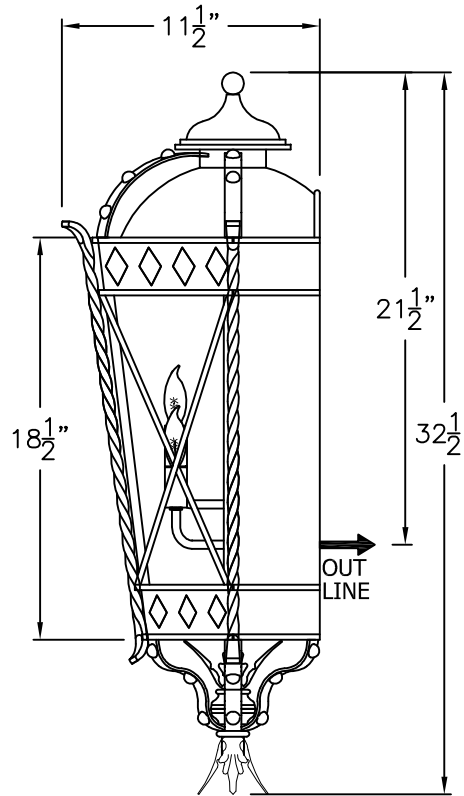
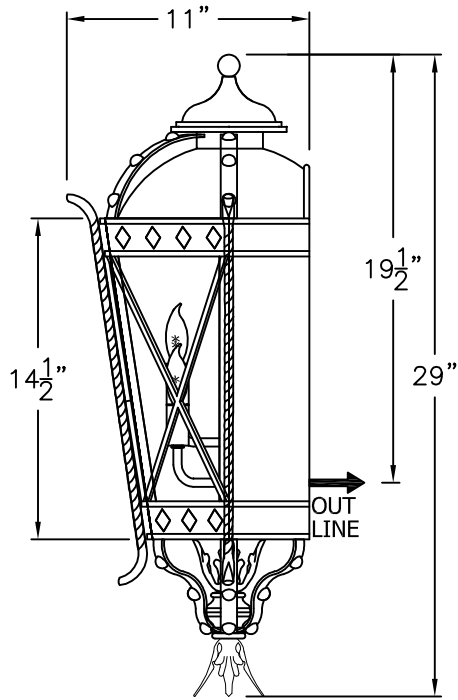
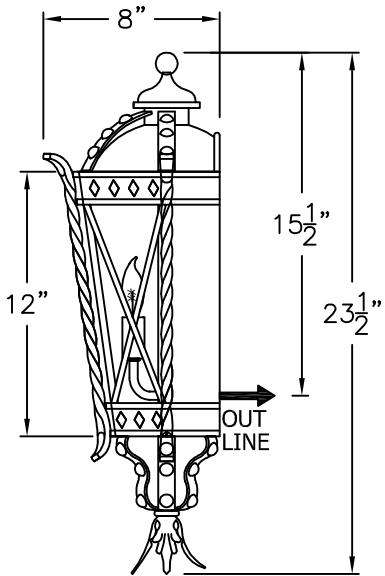
SOLARA

Iron Doors & Lighting



Praha - D007





SMALL
D-007-001

12 $\frac{1}{2}$ " W X 23 $\frac{1}{2}$ " H X 8" D

MEDIUM
D-007-002

16 $\frac{1}{2}$ " W X 29" H X 11" D

LARGE
D-007-003

17" W X 32 $\frac{1}{2}$ " H X 11 $\frac{1}{2}$ " D

XLARGE
D-007-004

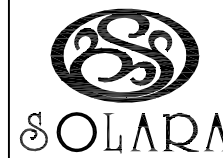
23" W X 38" H X 15" D

ONLY AVAILABLE
IN ELECTRIC

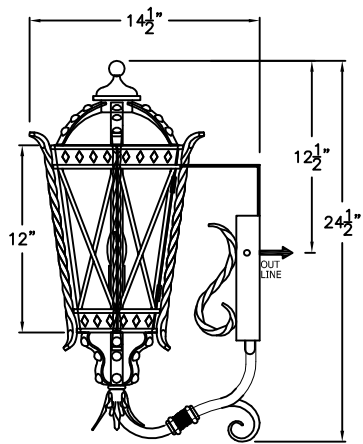
* ACTUAL DIMENSIONS MAY VARY UP TO 1/2"

CUSTOM DRAWING CHANGES:

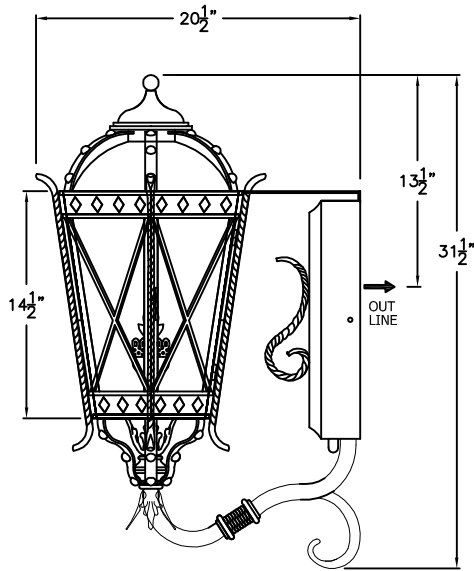
© 2011 SOLARA ENCHAINMENT
UNAUTHORIZED USE OF THIS
PLAN IS IN VIOLATION OF THE
U.S. COPYRIGHT ACT TITLE 17
OF THE U.S. CODE.



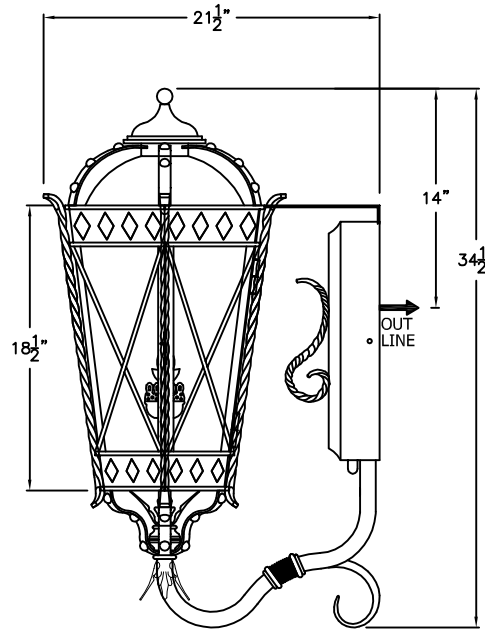
DESIGN:	PRAHA
LINE:	SCONCE MOUNT
FILE:	D-007-00SET-EL-S100-1
DATE REV:	02-MARCH-11



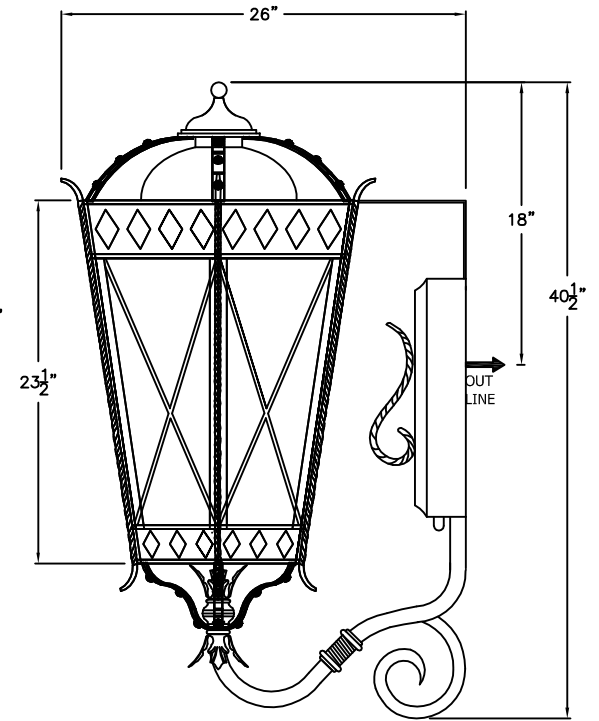
SMALL
D-007-011
12 1/2" W x 24 1/2" H x 14 1/2" D



MEDIUM
D-007-012
16 1/2" W x 31 1/2" H x 20 1/2" D



LARGE
D-007-013
17" W x 34 1/2" H x 21 1/2" D



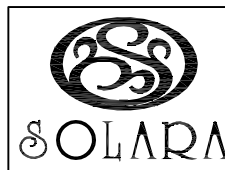
EXTRA LARGE
D-007-014
23" W x 40 1/2" H x 26" D

AVAILABLE IN
GAS & ELECTRIC
WITH EXCEPTION
OF SMALL SIZE

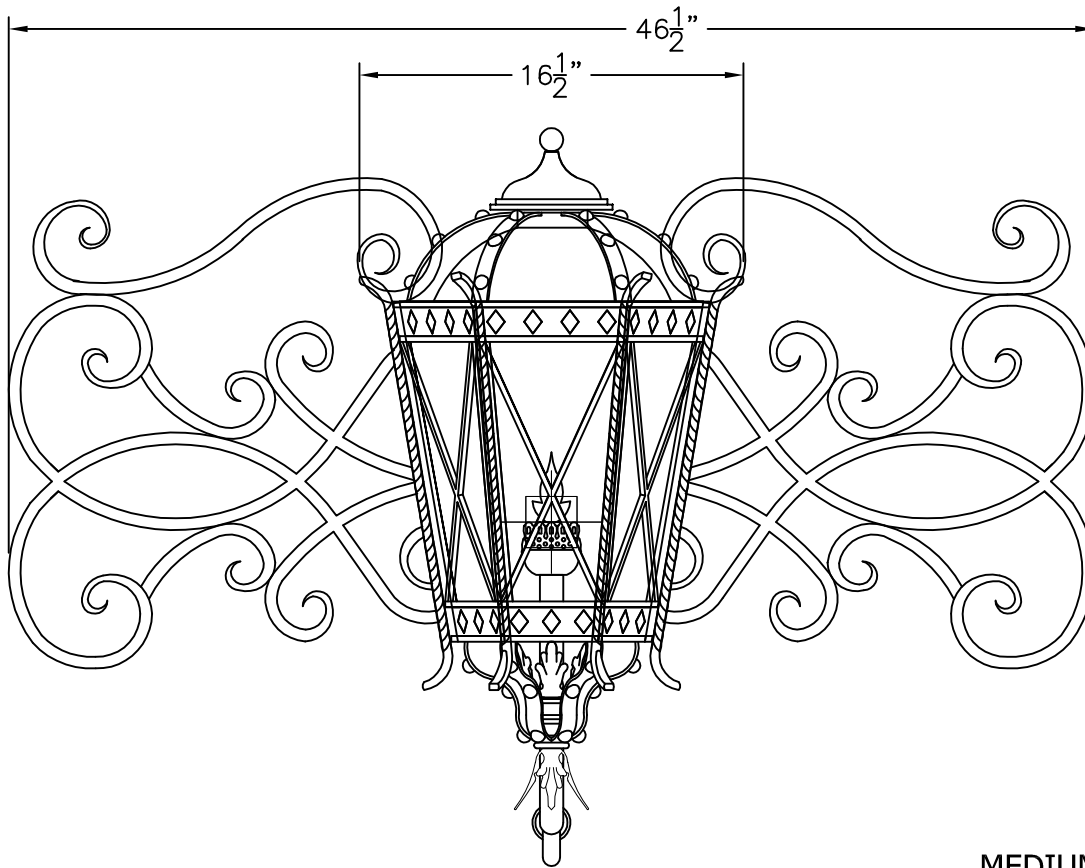
* ACTUAL DIMENSIONS MAY VARY UP TO 1/2"

CUSTOM DRAWING CHANGES:

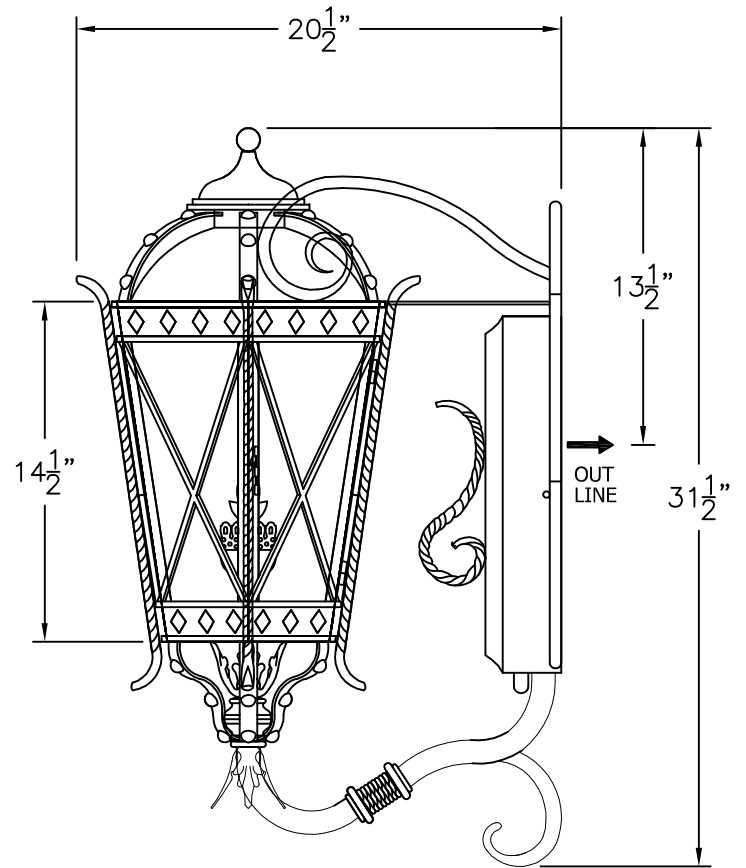
© 2010 SOLARA ENCHAINMENT
UNAUTHORIZED USE OF THIS
PLAN IS IN VIOLATION OF THE
U.S. COPYRIGHT ACT TITLE 17
OF THE U.S. CODE.



DESIGN:	PRAHA
LINE:	WALL MOUNT
FILE:	D-007-01SET-EG-S100-2
DATE REV:	06-AUGUST-10



FRONT VIEW



SIDE VIEW

MEDIUM
 D-007-022
 46 1/2" W x 31 1/2" H x 20 1/2" D

AVAILABLE IN
 GAS & ELECTRIC
 WITH EXCEPTION
 OF SMALL SIZE

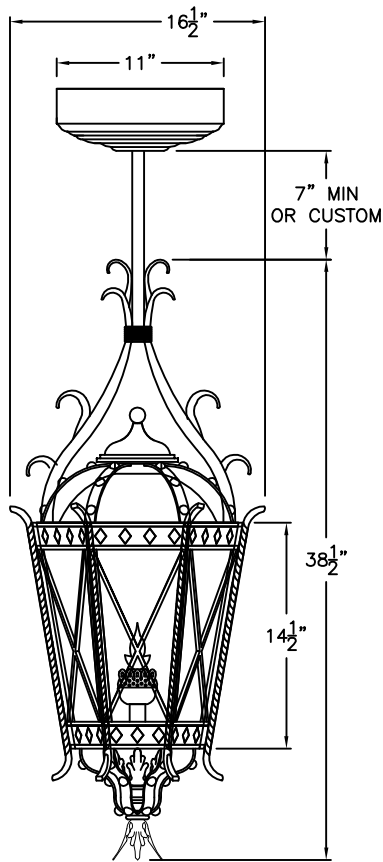
* ACTUAL DIMENSIONS MAY VARY UP TO 1/2"

CUSTOM DRAWING CHANGES:

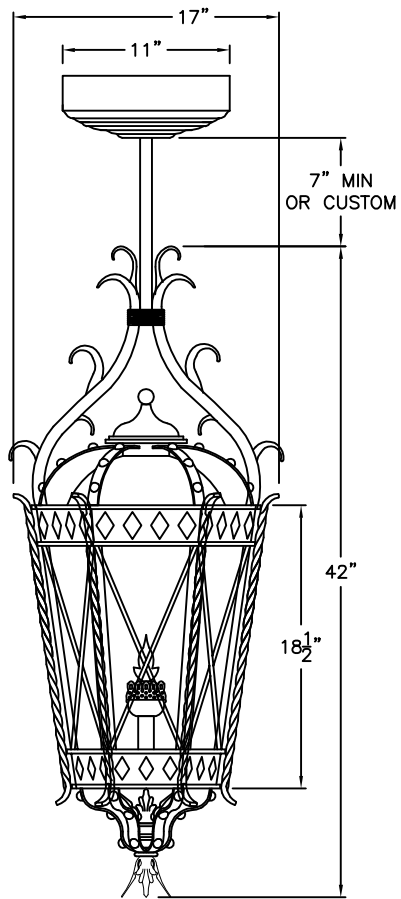
© 2010 SOLARA ENCHAINMENT
 UNAUTHORIZED USE OF THIS
 PLAN IS IN VIOLATION OF THE
 U.S. COPYRIGHT ACT TITLE 17
 OF THE U.S. CODE.



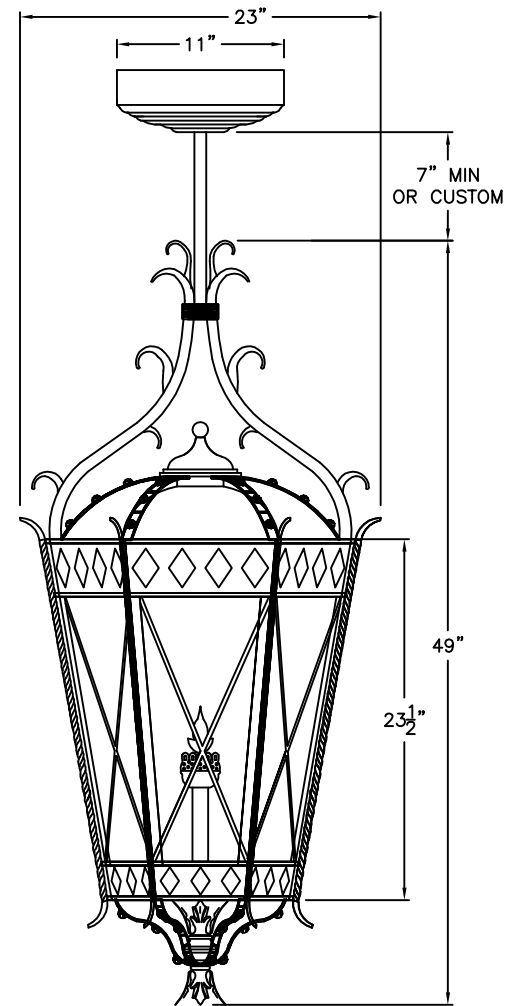
DESIGN:	PRAHA
LINE:	CENTRAL MOUNT
FILE:	D-007-022-EG-S100-2
DATE REV:	06-AUGUST-10



MEDIUM
D-007-032
16 1/2" W x 38 1/2" H X 14 1/2" D



LARGE
D-007-033
17" W x 42" H X 15" D



EXTRA LARGE
D-007-034
23" W x 49" H X 20" D

AVAILABLE IN
GAS & ELECTRIC
WITH EXCEPTION
OF SMALL SIZE

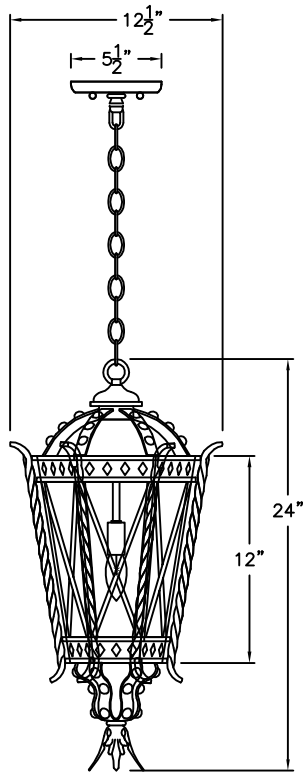
* ACTUAL DIMENSIONS MAY VARY UP TO 1/2"

CUSTOM DRAWING CHANGES:

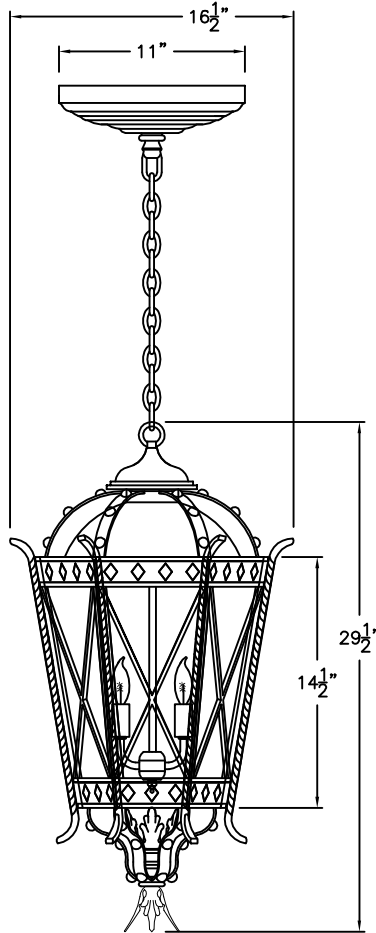
© 2011 SOLARA ENCHAINMENT
UNAUTHORIZED USE OF THIS
PLAN IS IN VIOLATION OF THE
U.S. COPYRIGHT ACT TITLE 17
OF THE U.S. CODE.



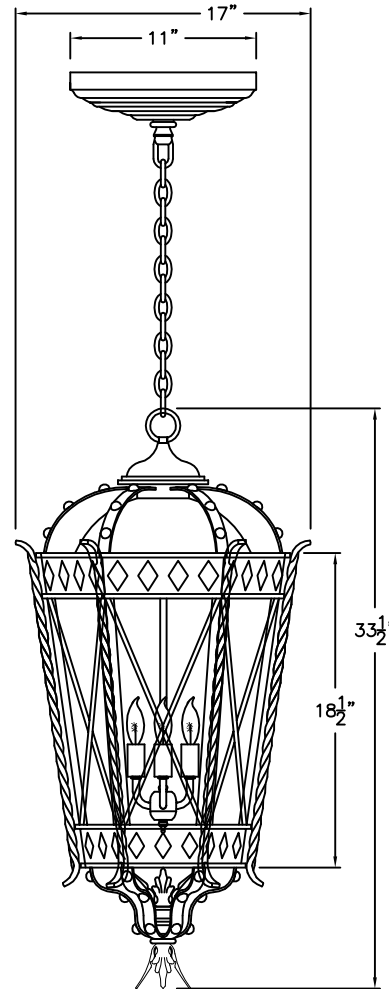
DESIGN:	PRAHA
LINE:	PENDANT STEM
FILE:	D-007-03SET-EG-S100-2
DATE REV:	21-JUNE-11



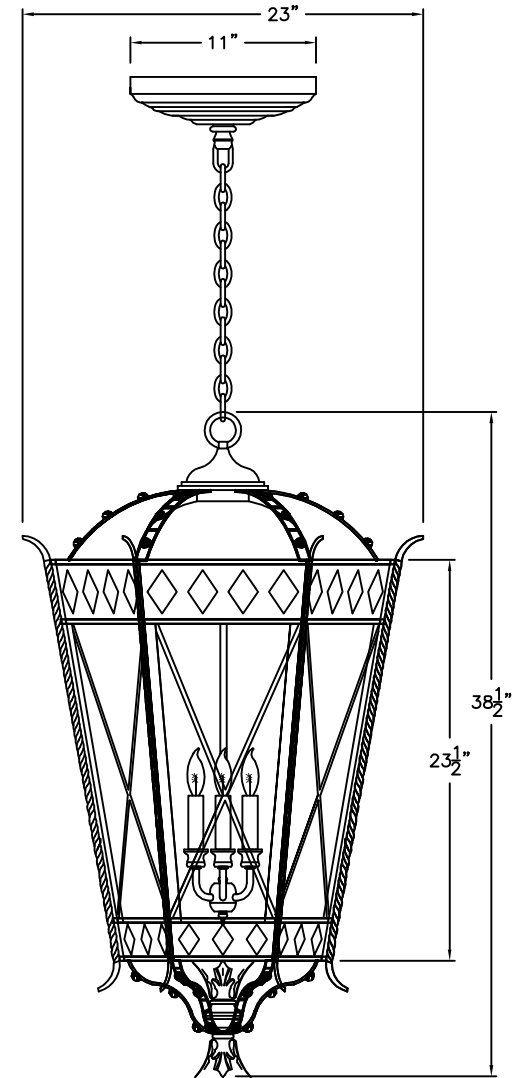
SMALL
D-007-041
12 1/2" W x 24" H x 11" D



MEDIUM
D-007-042
16 1/2" W x 29 1/2" H x 14 1/2" D



LARGE
D-007-043
17" W x 33 1/2" H x 15" D



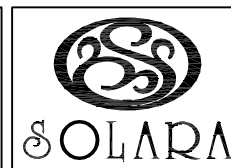
EXTRA LARGE
D-007-044
23" W x 38 1/2" H x 20" D

ONLY AVAILABLE
IN ELECTRIC

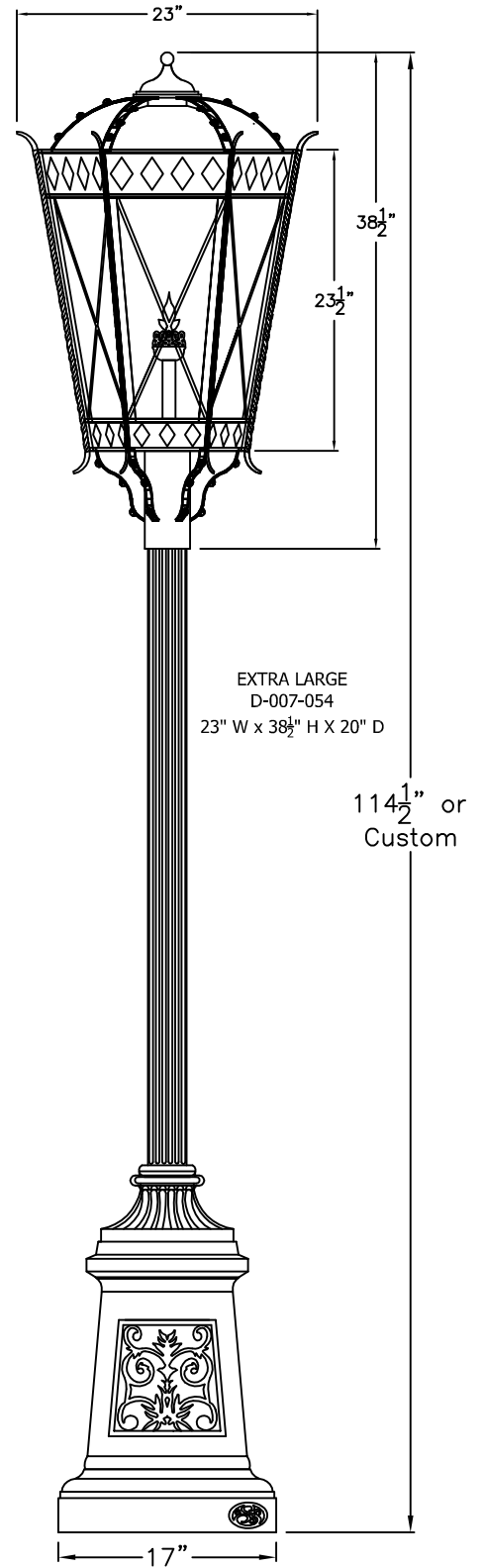
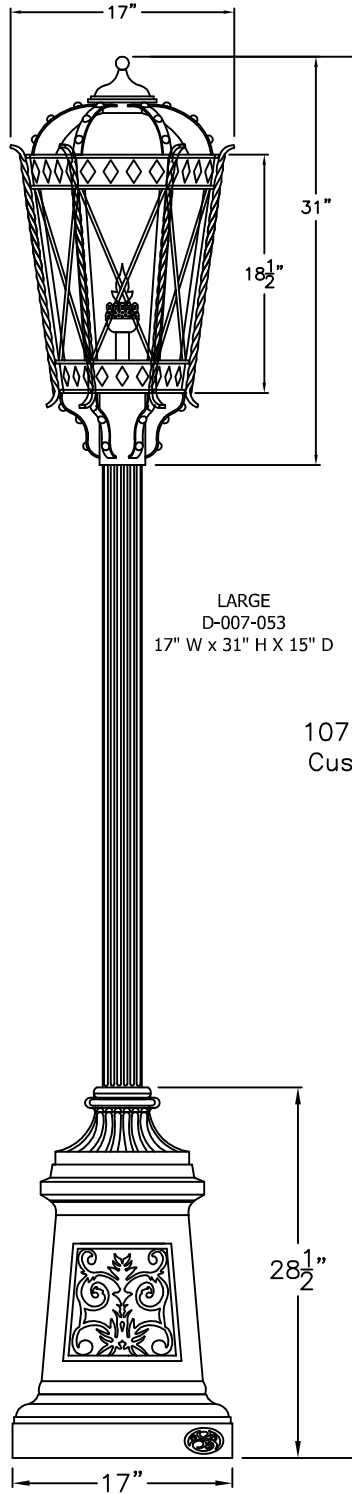
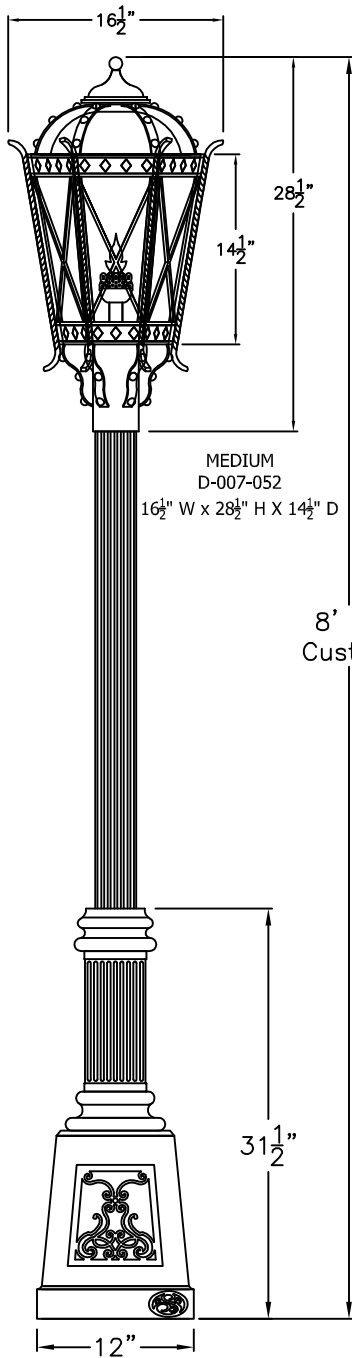
* ACTUAL DIMENSIONS MAY VARY UP TO 1/2"

CUSTOM DRAWING CHANGES:

© 2011 SOLARA ENCHAINMENT
UNAUTHORIZED USE OF THIS
PLAN IS IN VIOLATION OF THE
U.S. COPYRIGHT ACT TITLE 17
OF THE U.S. CODE.



DESIGN:	PRAHA
LINE:	PENDANT CHAIN
FILE:	D-007-04SET-EL-S100-2
DATE REV:	21-JUNE-11



AVAILABLE IN
GAS & ELECTRIC
WITH EXCEPTION
OF SMALL SIZE

* POST ARE SOLD SEPARATELY
* ACTUAL DIMENSIONS MAY VARY UP TO 1/2"

CUSTOM DRAWING CHANGES:

© 2011 SOLARA ENCHAINMENT
UNAUTHORIZED USE OF THIS
PLAN IS IN VIOLATION OF THE
U.S. COPYRIGHT ACT TITLE 17
OF THE U.S. CODE

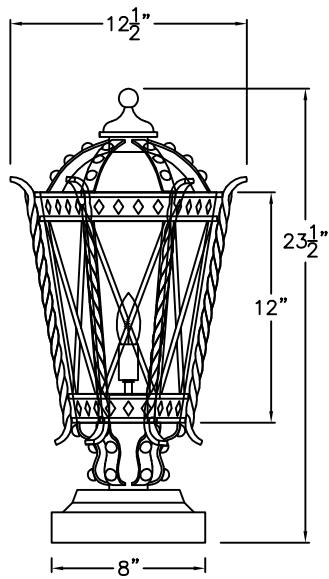


DESIGN: PRAHA

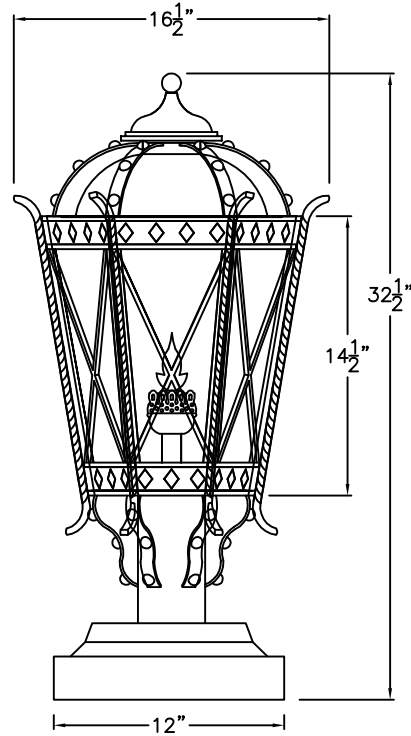
LINE: POST MOUNT

FILE: D-007-05SET-EG-S100-2

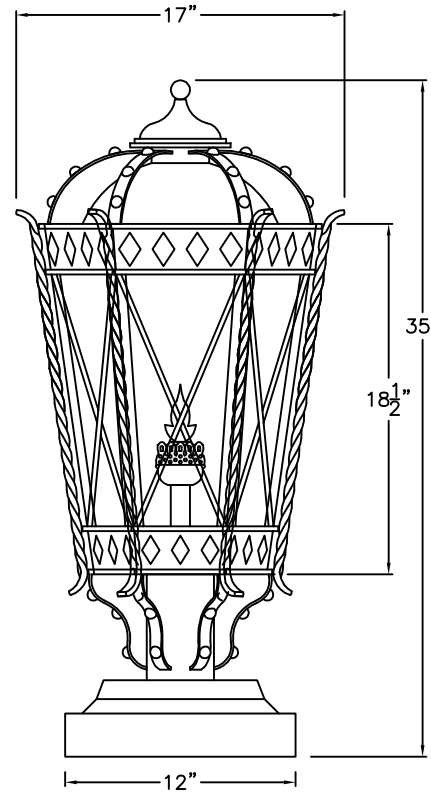
DATE REV: 21-JUNE-11



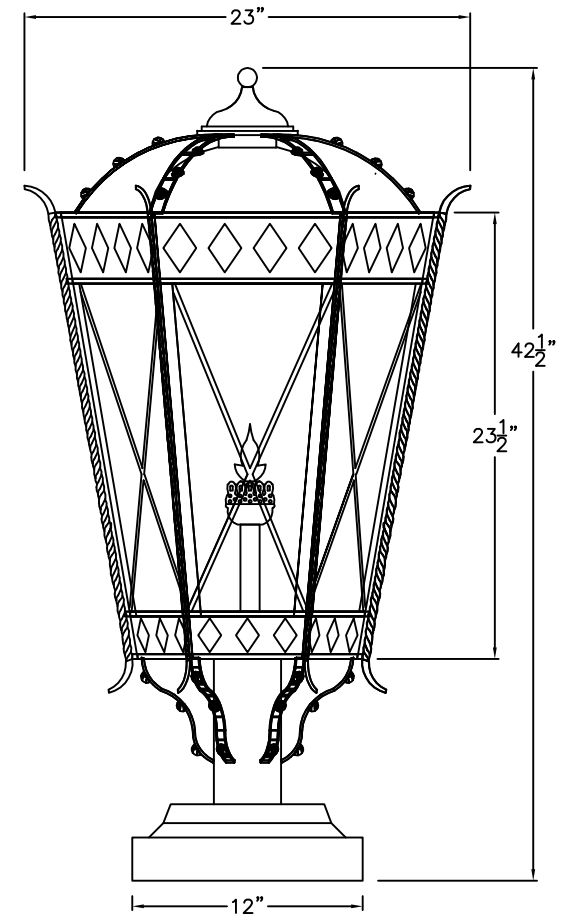
SMALL
D-007-061
12 1/2" W x 23 1/2" H x 11" D



MEDIUM
D-007-062
16 1/2" W x 32 1/2" H x 14 1/2" D



LARGE
D-007-063
17" W x 35" H x 15" D



EXTRA LARGE
D-007-064
23" W x 42 1/2" H x 20" D

AVAILABLE IN
GAS & ELECTRIC
WITH EXCEPTION
OF SMALL SIZE

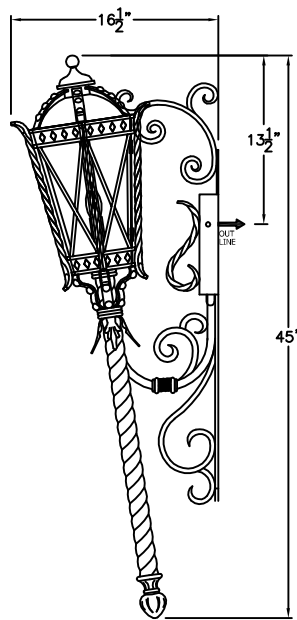
* ACTUAL DIMENSIONS MAY VARY UP TO 1/2"

CUSTOM DRAWING CHANGES:

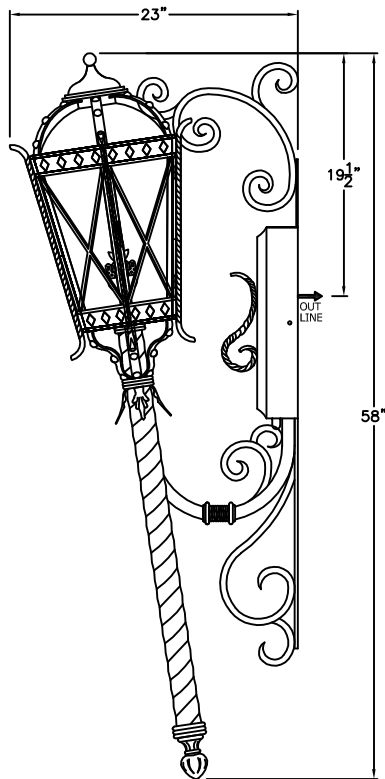
© 2011 SOLARA ENCHAINMENT
UNAUTHORIZED USE OF THIS
PLAN IS IN VIOLATION OF THE
U.S. COPYRIGHT ACT TITLE 17
OF THE U.S. CODE.



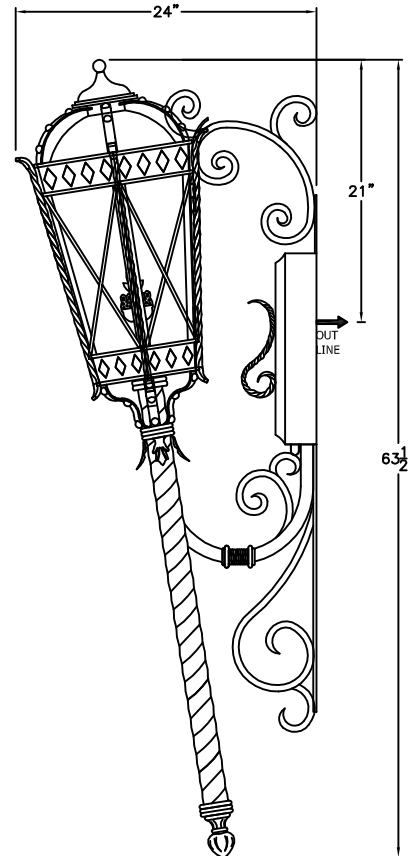
DESIGN:	PRAHA
LINE:	PIER MOUNT
FILE:	D-007-06SET-EG-S100-2
DATE REV:	21-JUNE-11



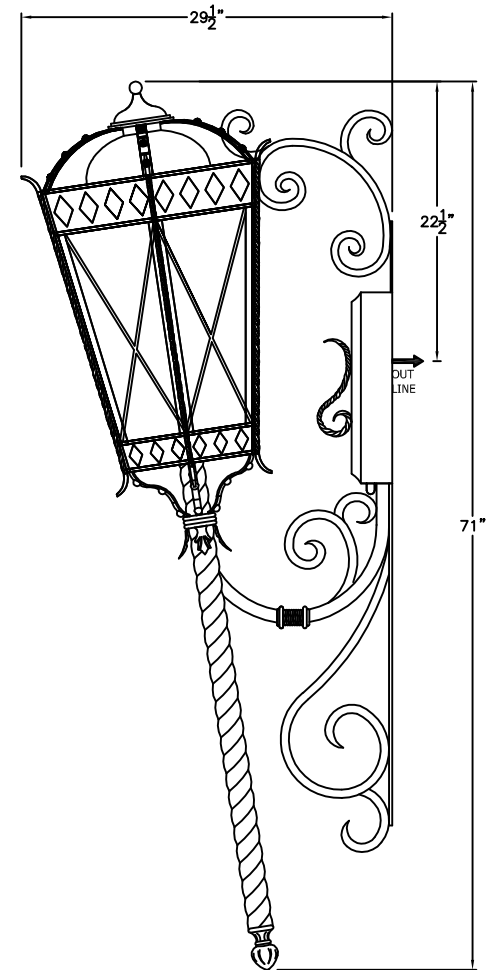
SMALL
D-007-081
12 1/2" W X 45" H X 16 1/2" D



MEDIUM
D-007-082
16 1/2" W X 58" H X 23" D



LARGE
D-007-083
17" W X 63 1/2" H X 24" D



XLARGE
D-007-084
23" W X 71" H X 29 1/2" D

AVAILABLE IN
GAS & ELECTRIC
WITH EXCEPTION
OF SMALL SIZE

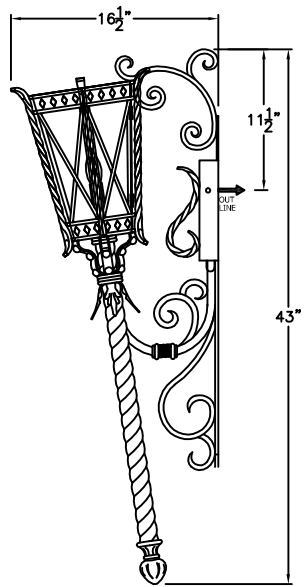
* ACTUAL DIMENSIONS MAY VARY UP TO 1/2"

CUSTOM DRAWING CHANGES:

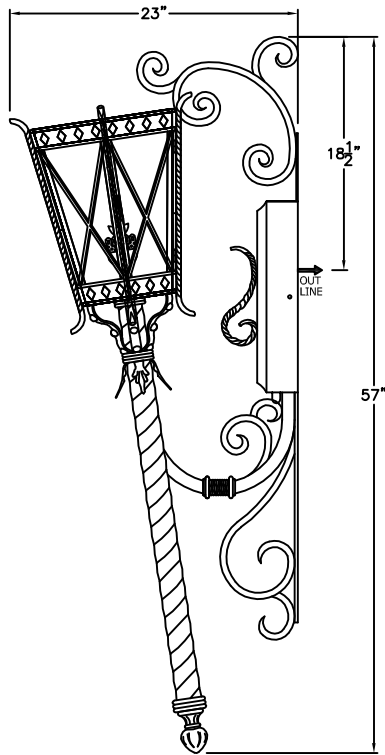
© 2011 SOLARA ENCHAINMENT
UNAUTHORIZED USE OF THIS
PLAN IS IN VIOLATION OF THE
U.S. COPYRIGHT ACT TITLE 17
OF THE U.S. CODE.



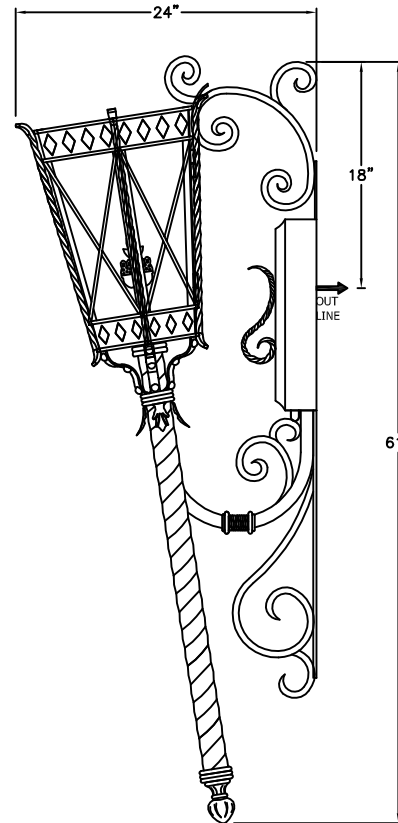
DESIGN:	PRAHA
LINE:	TORCH MOUNT
FILE:	D-007-08SET-EG-S100-1
DATE REV:	03-MAR-11



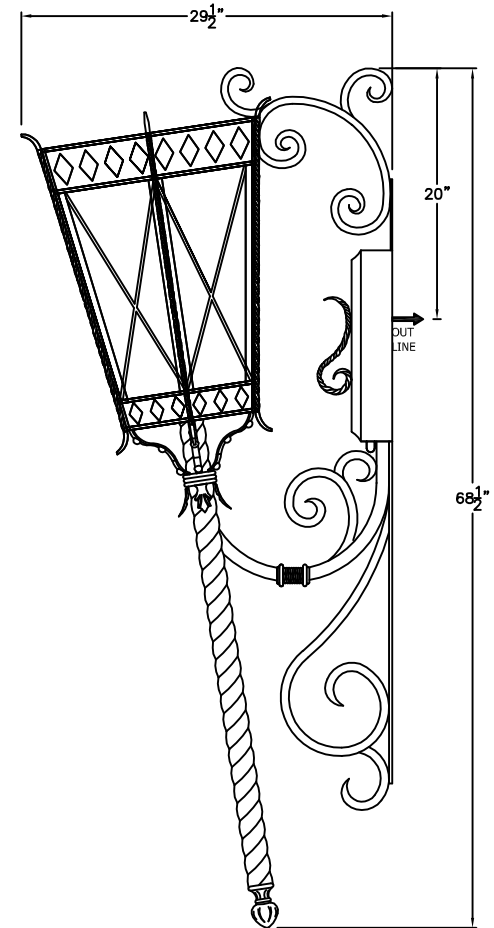
SMALL
D-007-091
12 1/2" W X 43" H X 16 1/2" D



MEDIUM
D-007-092
16 1/2" W X 57" H X 23" D



LARGE
D-007-093
17" W X 61" H X 24" D



XLARGE
D-007-094
23" W X 68 1/2" H X 29 1/2" D

AVAILABLE IN
GAS & ELECTRIC
WITH EXCEPTION
OF SMALL SIZE

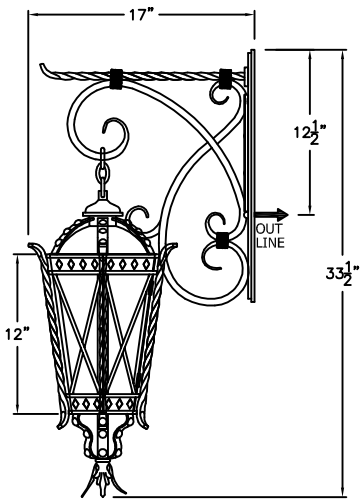
* ACTUAL DIMENSIONS MAY VARY UP TO 1/2"

CUSTOM DRAWING CHANGES:

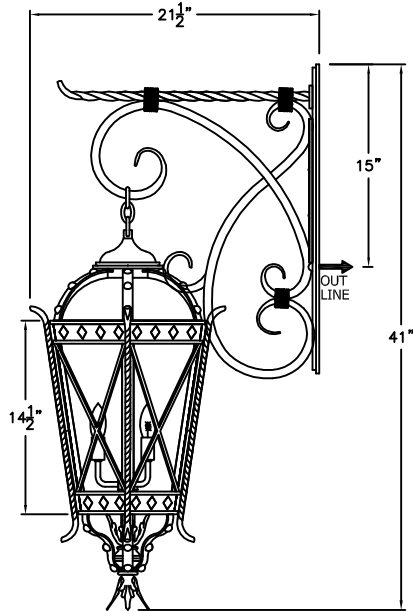
© 2011 SOLARA ENCHAINMENT
UNAUTHORIZED USE OF THIS
PLAN IS IN VIOLATION OF THE
U.S. COPYRIGHT ACT TITLE 17
OF THE U.S. CODE.



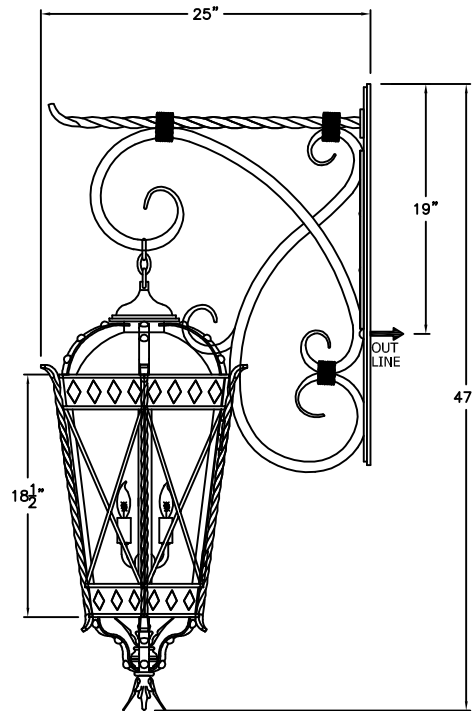
DESIGN:	PRAHA
LINE:	TORCH MOUNT
FILE:	D-007-09SET-EG-S100-1
DATE REV:	03-MAR-11



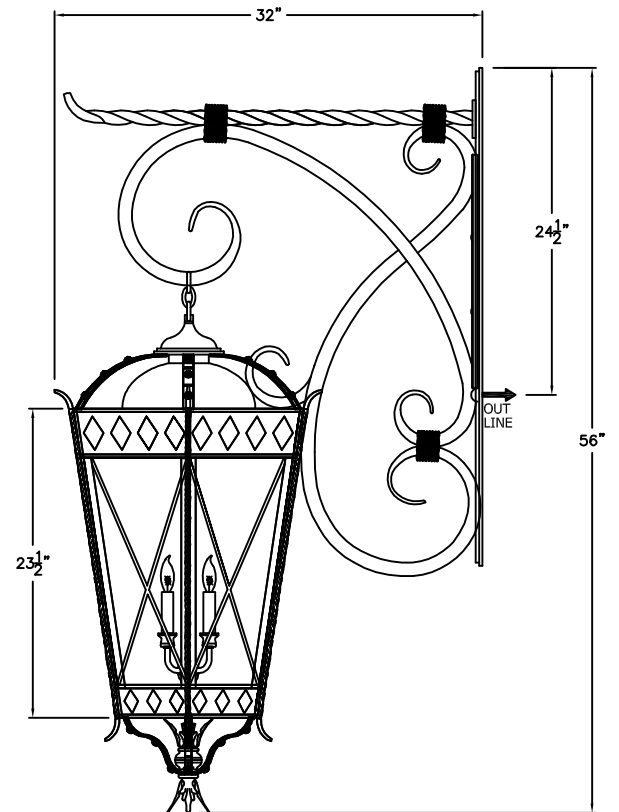
SMALL
D-007-101
12 $\frac{1}{2}$ " W X 33 $\frac{1}{2}$ " H X 17" D



MEDIUM
D-007-102
16 $\frac{1}{2}$ " W X 41" H X 21 $\frac{1}{2}$ " D



LARGE
D-007-103
17" W X 47" H X 25" D



XLARGE
D-007-104
23" W X 56" H X 32" D

ONLY AVAILABLE
IN ELECTRIC

* ACTUAL DIMENSIONS MAY VARY UP TO 1/2"

CUSTOM DRAWING CHANGES:

© 2011 SOLARA ENCHAINMENT
UNAUTHORIZED USE OF THIS
PLAN IS IN VIOLATION OF THE
U.S. COPYRIGHT ACT TITLE 17
OF THE U.S. CODE.



DESIGN:	PRAHA
LINE:	HANGING BRACKET
FILE:	D-007-10SET-EL-S100-3
DATE REV:	03-MAR-11