



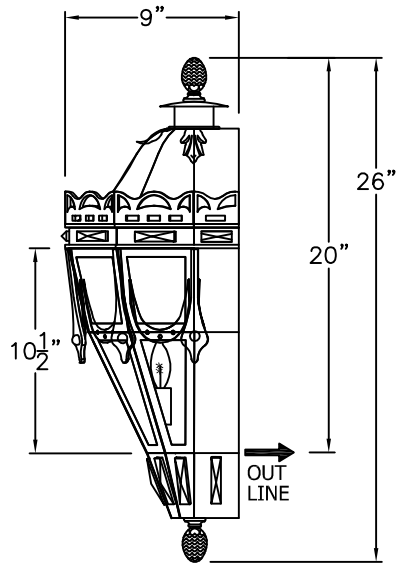
# SOLARA

Iron Doors & Lighting

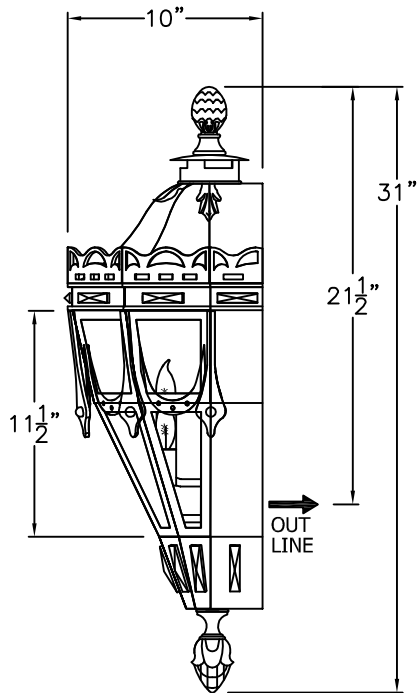


## Santorini - F009

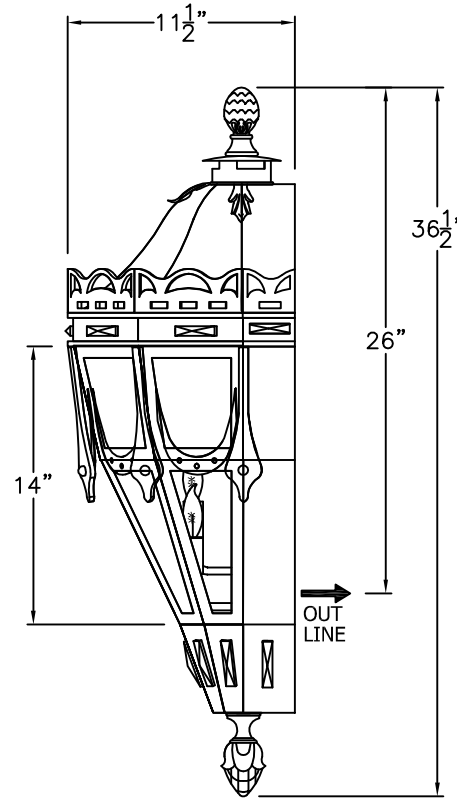




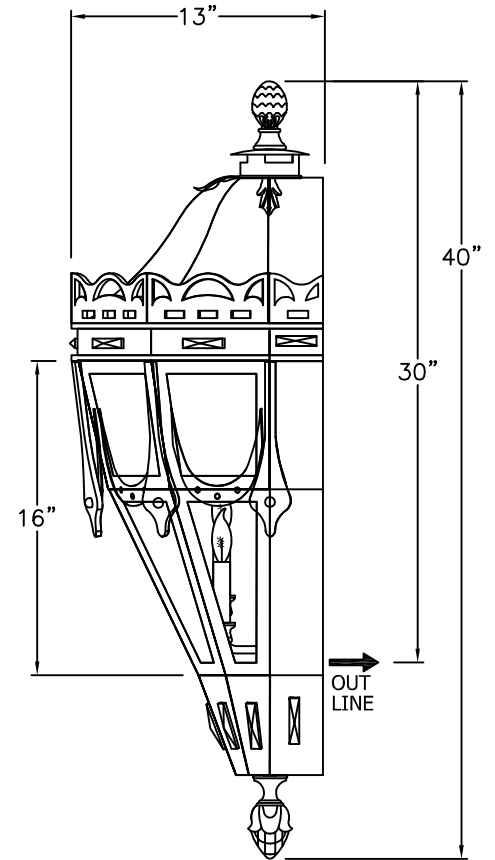
SMALL  
F-009-001  
14" W X 26" H X 9" D



MEDIUM  
F-009-002  
15 1/2" W X 31" H X 10" D



LARGE  
F-009-003  
19" W X 36 1/2" H X 11 1/2" D



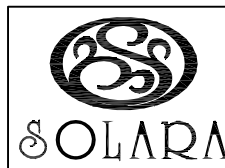
X-LARGE  
F-009-004  
21" W X 40" H X 13" D

ONLY AVAILABLE  
IN ELECTRIC

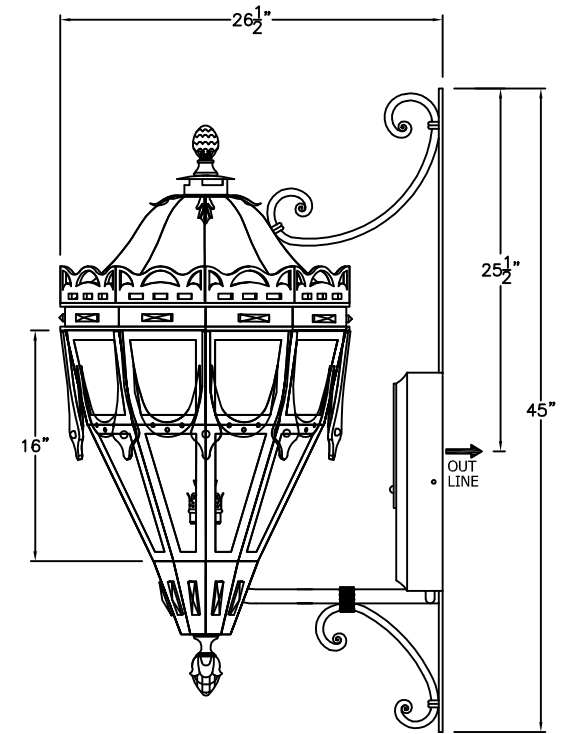
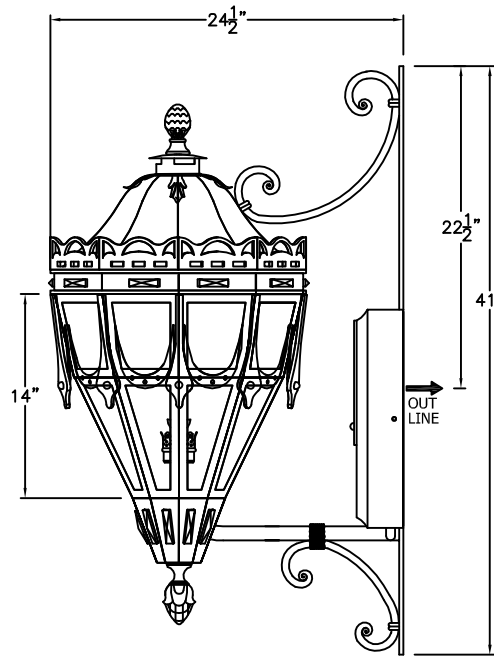
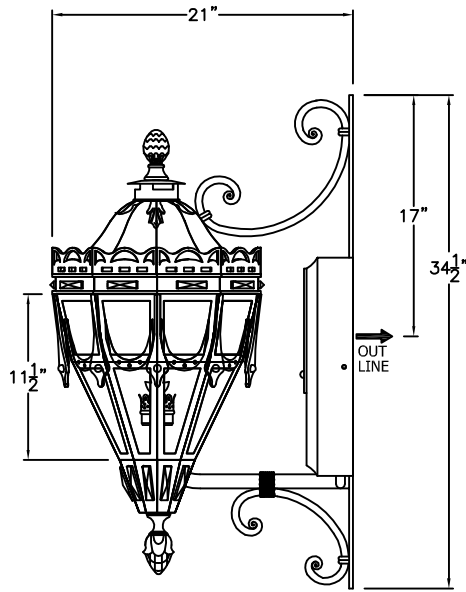
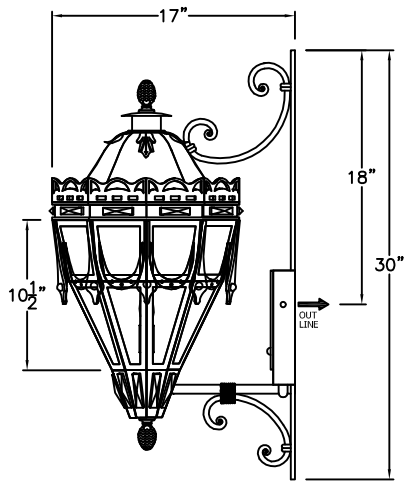
\* ACTUAL DIMENSIONS MAY VARY UP TO 1/2"

CUSTOM DRAWING CHANGES:

© 2011 SOLARA ENCHAINMENT  
UNAUTHORIZED USE OF THIS  
PLAN IS IN VIOLATION OF THE  
U.S. COPYRIGHT ACT TITLE 17  
OF THE U.S. CODE.



DESIGN:	SANTORINI
LINE:	FLUSH SCONCE
FILE:	F-009-00SET-EL-S100-2
DATE REV:	14-MAR-11



**SMALL**  
F-009-011  
14" W X 30" H X 17" D

**MEDIUM**  
F-009-012  
15 1/2" W X 34 1/2" H X 21" D

**LARGE**  
F-009-013  
19" W X 41" H X 24 1/2" D

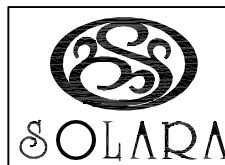
**X-LARGE**  
F-009-014  
21" W X 45" H X 26 1/2" D

AVAILABLE IN  
GAS & ELECTRIC  
WITH EXCEPTION  
OF SMALL SIZE

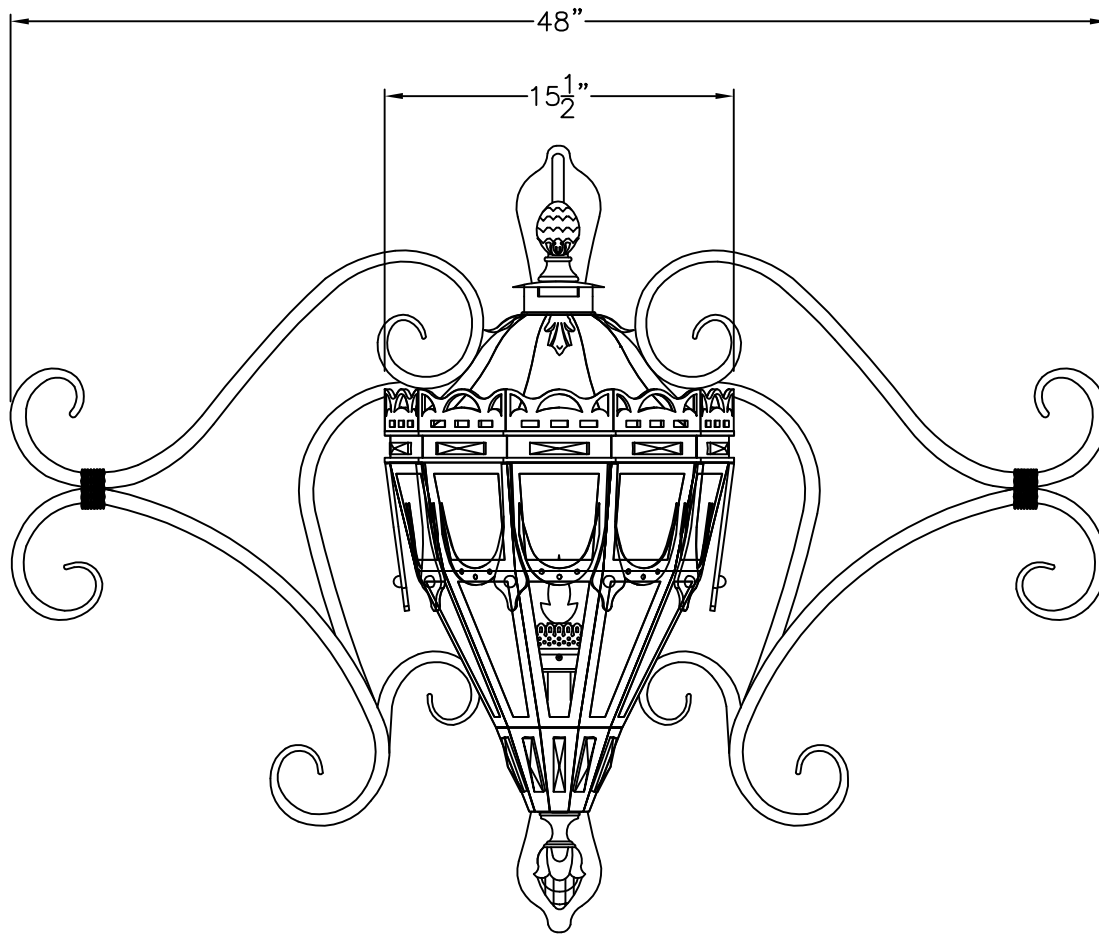
\* ACTUAL DIMENSIONS MAY VARY UP TO 1/2"

CUSTOM DRAWING CHANGES:

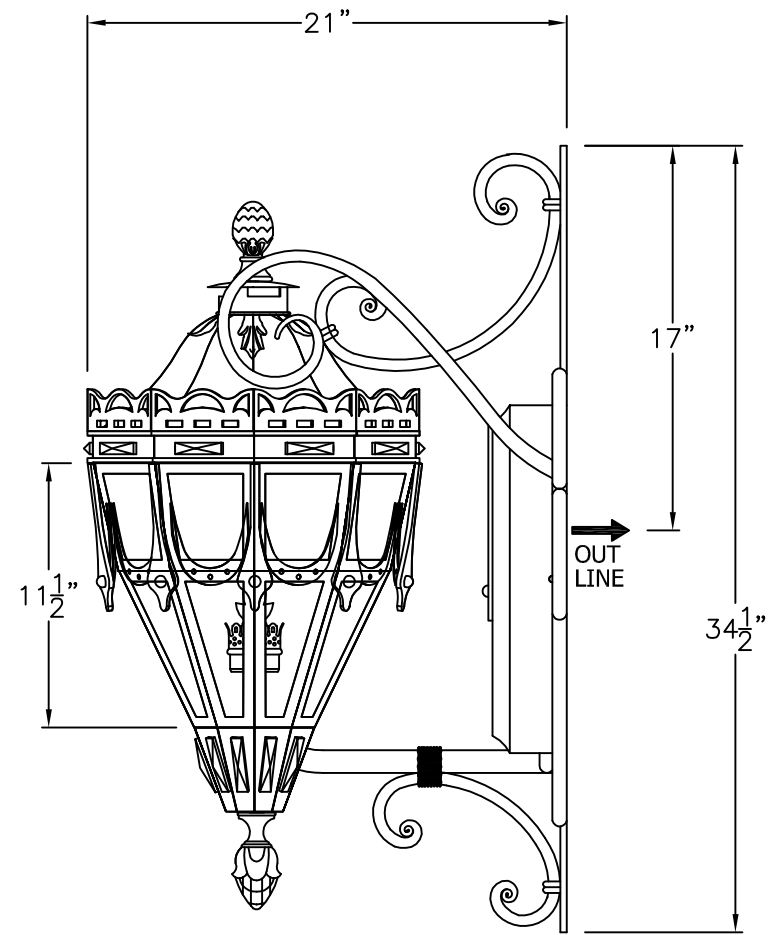
© 2011 SOLARA ENCHAINMENT  
UNAUTHORIZED USE OF THIS  
PLAN IS IN VIOLATION OF THE  
U.S. COPYRIGHT ACT TITLE 17  
OF THE U.S. CODE.



DESIGN:	SANTORINI
LINE:	WALL MOUNT
FILE:	F-009-01SET-EG-S100-1
DATE REV:	14-MAR-11



FRONT VIEW



SIDE VIEW

MEDIUM  
F-009-022

48" W X 34 1/2" H X 21" D

AVAILABLE IN  
GAS & ELECTRIC  
WITH EXCEPTION  
OF SMALL SIZE

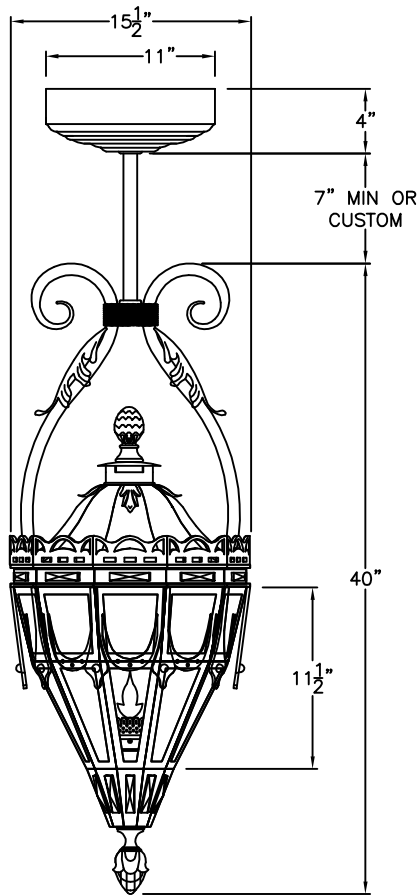
\* ACTUAL DIMENSIONS MAY VARY UP TO 1/2"

CUSTOM DRAWING CHANGES:

© 2011 SOLARA ENCHAINMENT  
UNAUTHORIZED USE OF THIS  
PLAN IS IN VIOLATION OF THE  
U.S. COPYRIGHT ACT TITLE 17  
OF THE U.S. CODE.

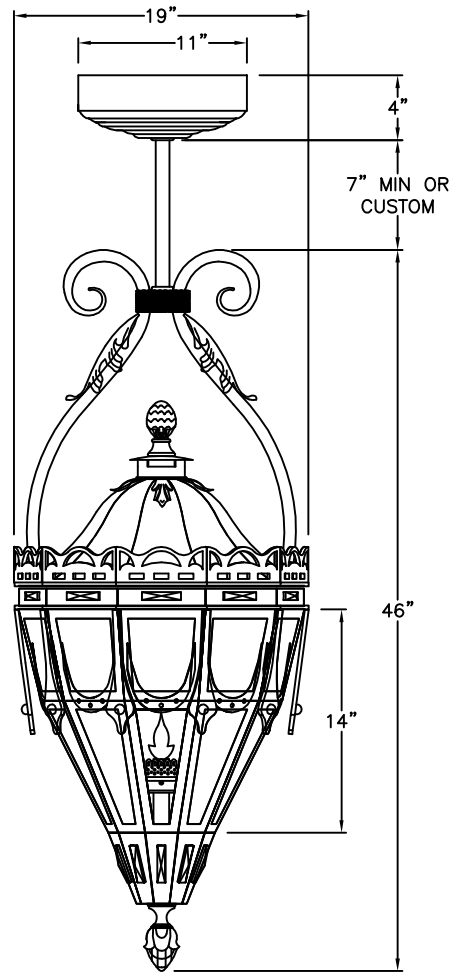


DESIGN:	SANTORINI
LINE:	CENTRAL MOUNT
FILE:	F-009-022-EG-S100-2
DATE REV:	15-MAR-11

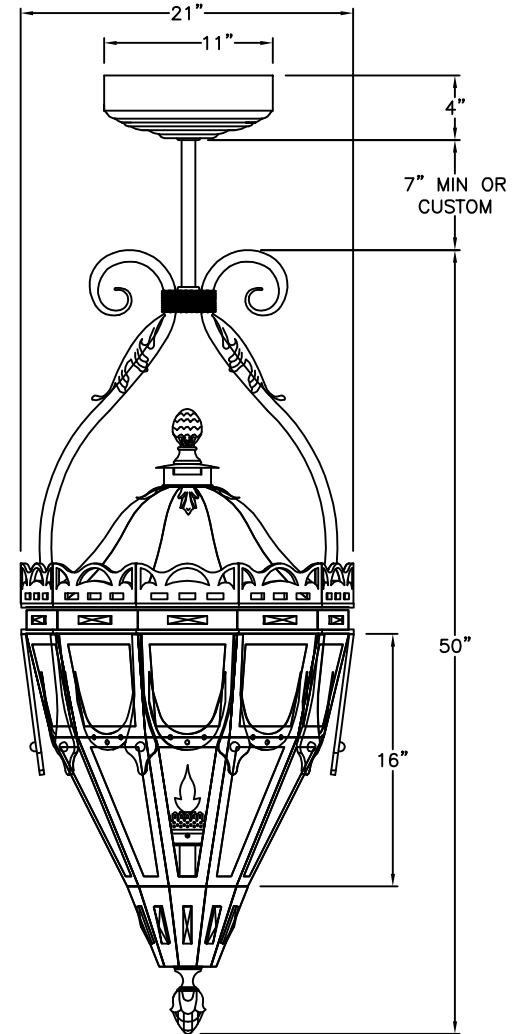


MEDIUM  
F-009-032  
15 1/2" W x 40" H

AVAILABLE IN  
GAS & ELECTRIC  
WITH EXCEPTION  
OF SMALL SIZE



LARGE  
F-009-033  
19" W x 46" H



XLARGE  
F-009-034  
21" W x 50" H

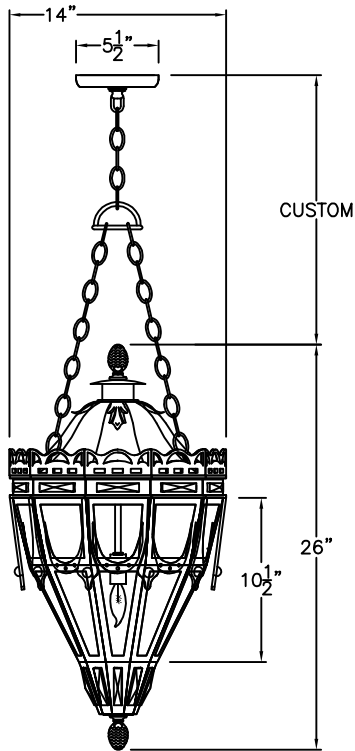
\* ACTUAL DIMENSIONS MAY VARY UP TO 1/2"

CUSTOM DRAWING CHANGES:

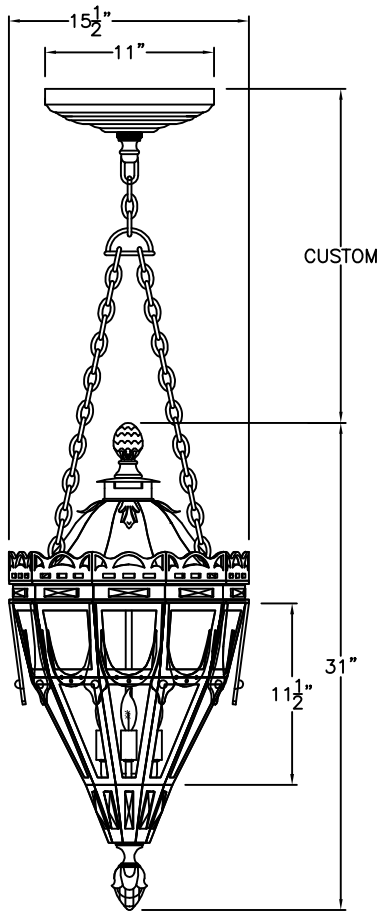
© 2011 SOLARA ENCHAINMENT  
UNAUTHORIZED USE OF THIS  
PLAN IS IN VIOLATION OF THE  
U.S. COPYRIGHT ACT TITLE 17  
OF THE U.S. CODE.



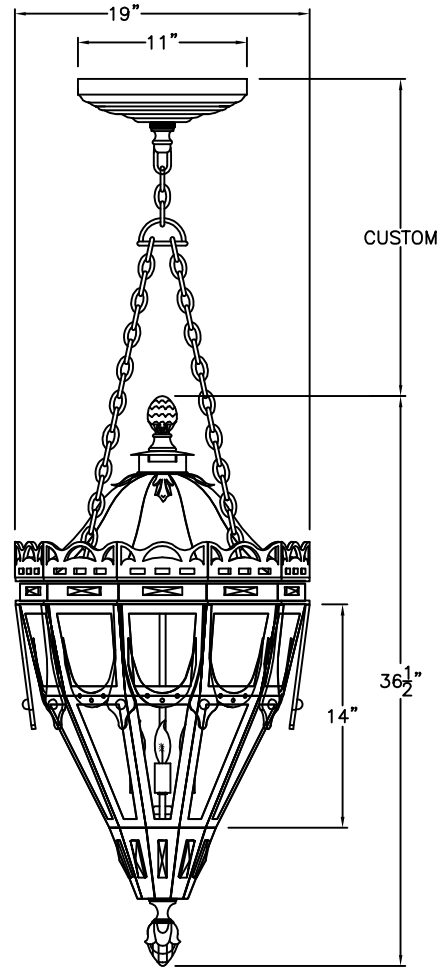
DESIGN:	SANTORINI
LINE:	PENDANT STEM
FILE:	F-009-03SET-EG-S100-1
DATE REV :	14-MAR-11



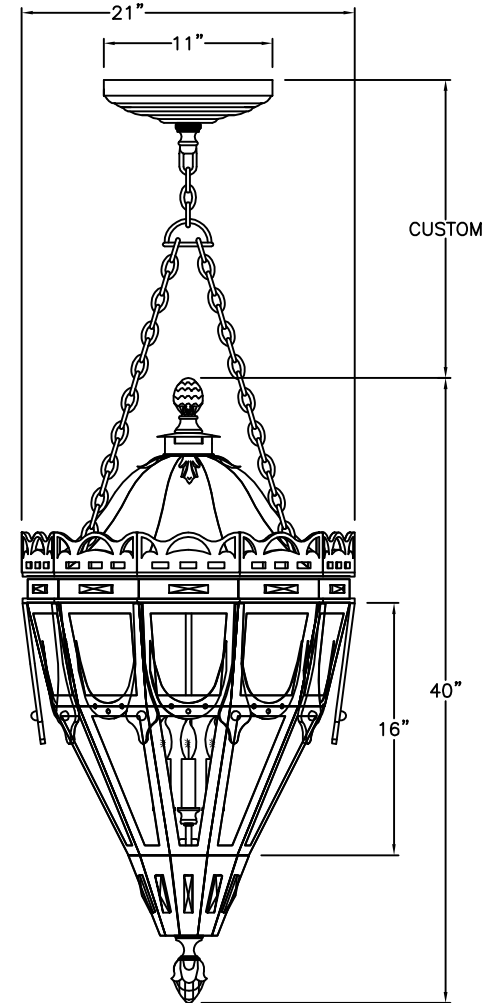
SMALL  
F-009-041  
14" W x 26" H



MEDIUM  
F-009-042  
15 1/2" W x 31" H



LARGE  
F-009-043  
19" W x 36 1/2" H



XLARGE  
F-009-044  
21" W x 40" H

ONLY AVAILABLE  
IN ELECTRIC

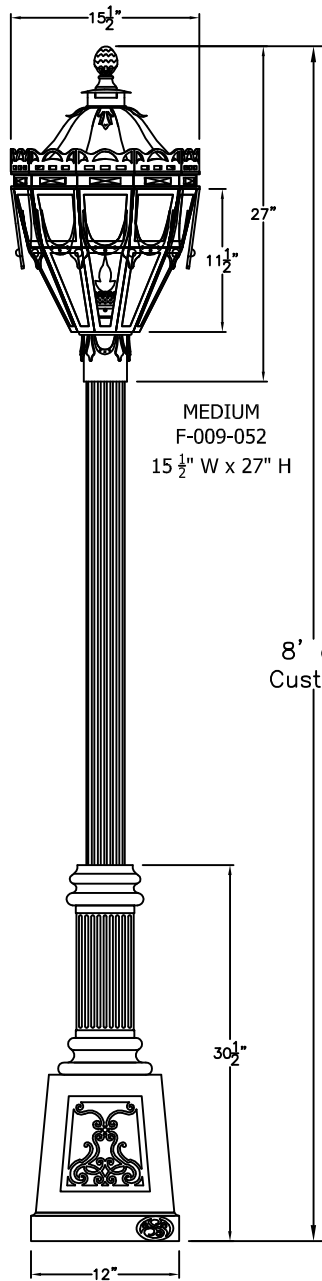
\* ACTUAL DIMENSIONS MAY VARY UP TO 1/2"

CUSTOM DRAWING CHANGES:

© 2011 SOLARA ENCHAINMENT  
UNAUTHORIZED USE OF THIS  
PLAN IS IN VIOLATION OF THE  
U.S. COPYRIGHT ACT TITLE 17  
OF THE U.S. CODE.



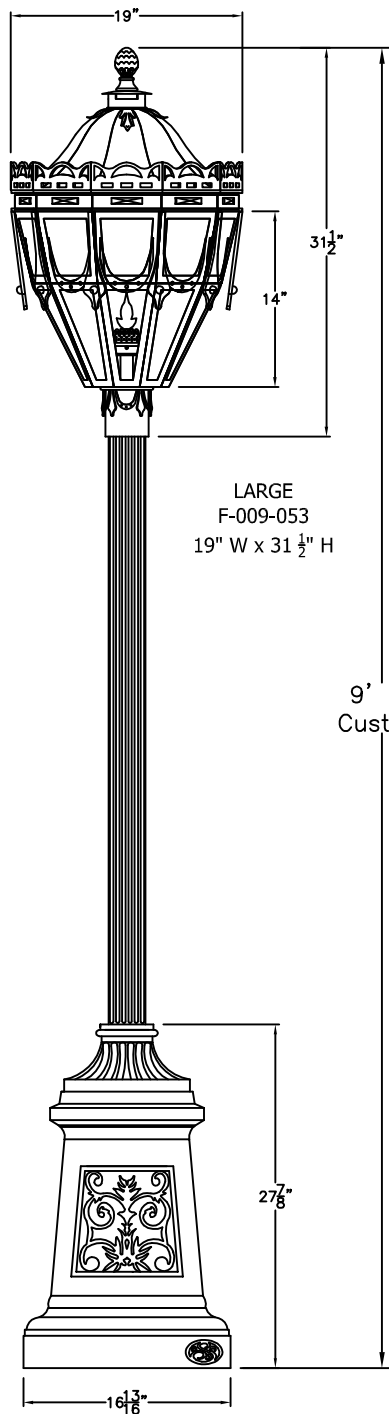
DESIGN:	SANTORINI
LINE:	PENDANT CHAIN
FILE:	F-009-04SET-EL-S100-1
DATE REV :	11-MAR-11



MEDIUM  
F-009-052  
15 1/2" W x 27" H

SOLARA BASE

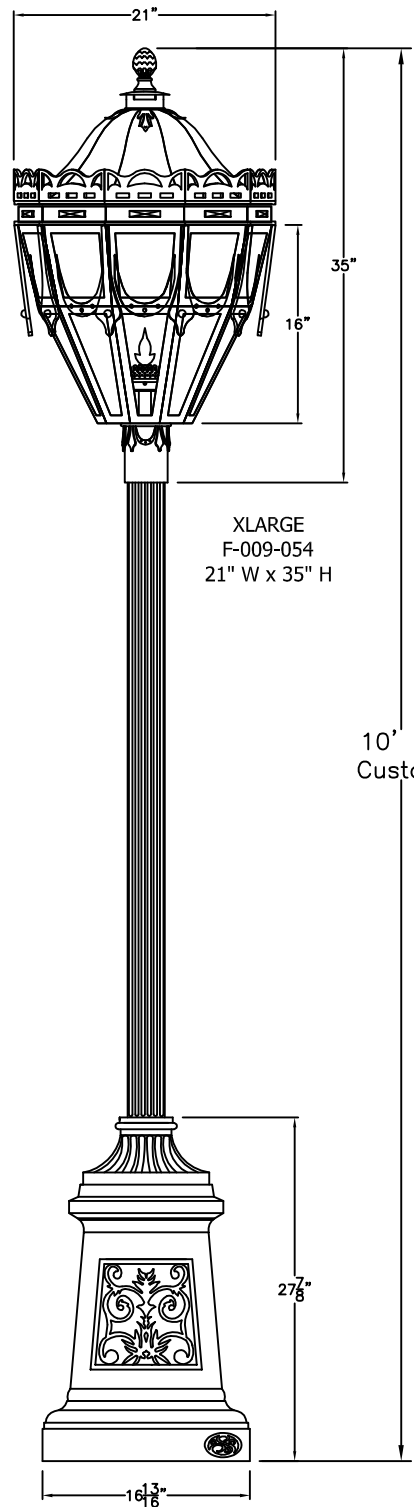
8' or  
Custom



LARGE  
F-009-053  
19" W x 31 1/2" H

MUNICH BASE

9' or  
Custom



XLARGE  
F-009-054  
21" W x 35" H

10' or  
Custom

AVAILABLE IN  
GAS & ELECTRIC  
WITH EXCEPTION  
OF SMALL SIZE

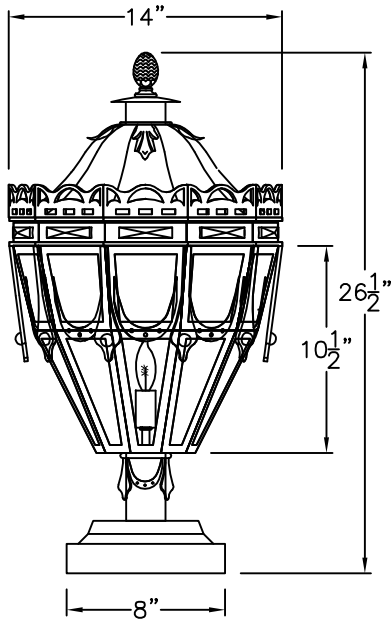
\* POST ARE SOLD SEPARATELY  
\* ACTUAL DIMENSIONS MAY VARY UP TO 1/2"

CUSTOM DRAWING CHANGES:

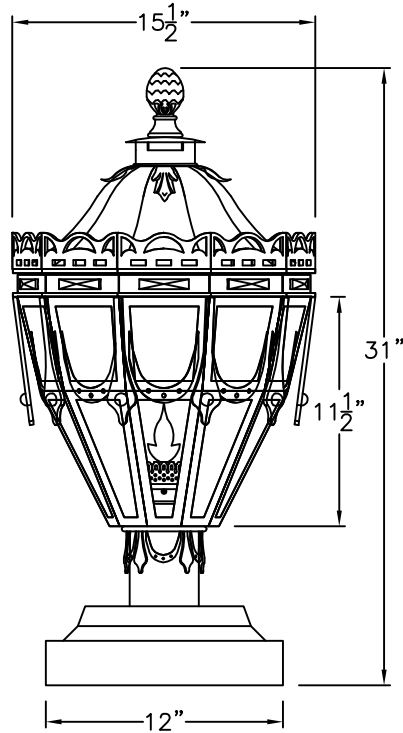
© 2011 SOLARA ENCHAINMENT  
UNAUTHORIZED USE OF THIS  
PLAN IS IN VIOLATION OF THE  
U.S. COPYRIGHT ACT TITLE 17  
OF THE U.S. CODE



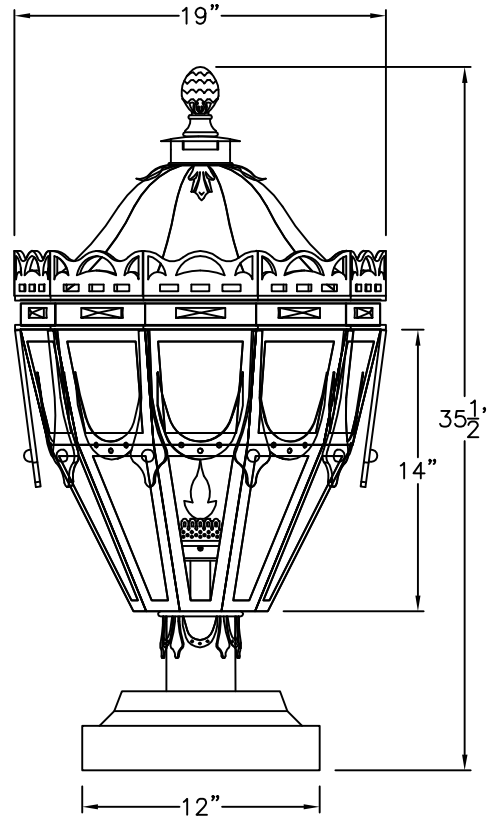
DESIGN: SANTORINI  
LINE: POST MOUNT  
FILE: F-009-05SET-EG-S100-2  
DATE REV: 3-MAR-11



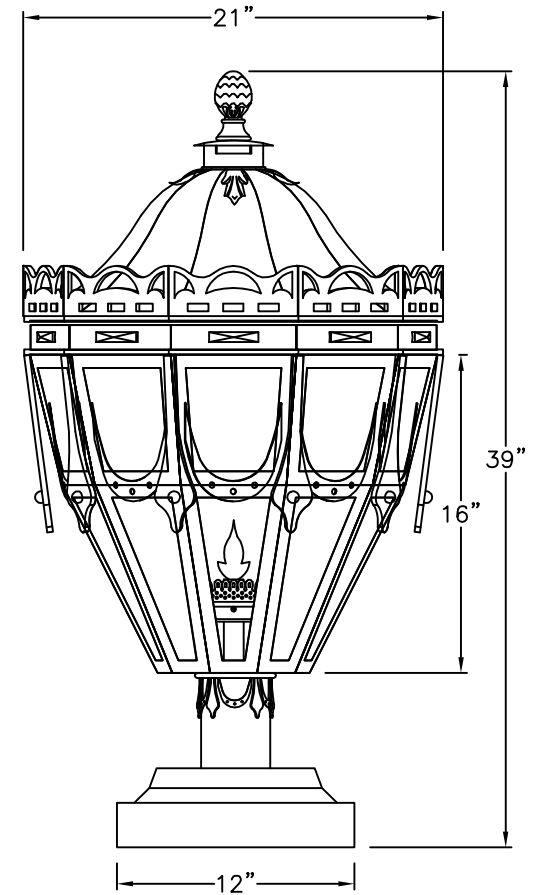
SMALL  
F-009-061  
14" W x 26 $\frac{1}{2}$ " H



MEDIUM  
F-009-062  
15 $\frac{1}{2}$ " W x 31" H



LARGE  
F-009-063  
19" W x 35 $\frac{1}{2}$ " H



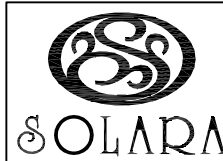
XLARGE  
F-009-064  
21" W x 39" H

AVAILABLE IN  
GAS & ELECTRIC  
WITH EXCEPTION  
OF SMALL SIZE

\* ACTUAL DIMENSIONS MAY VARY UP TO 1/2"

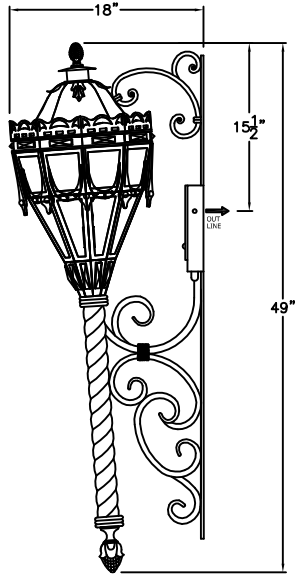
CUSTOM DRAWING CHANGES:

© 2011 SOLARA ENCHAINMENT  
UNAUTHORIZED USE OF THIS  
PLAN IS IN VIOLATION OF THE  
U.S. COPYRIGHT ACT TITLE 17  
OF THE U.S. CODE.

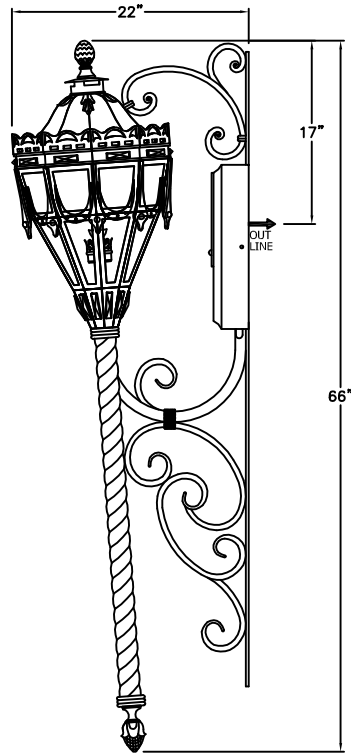


DESIGN:	SANTORINI
LINE:	PIER MOUNT
FILE:	F-009-06SET-EG-S100-1
DATE REV:	3-MAR-11

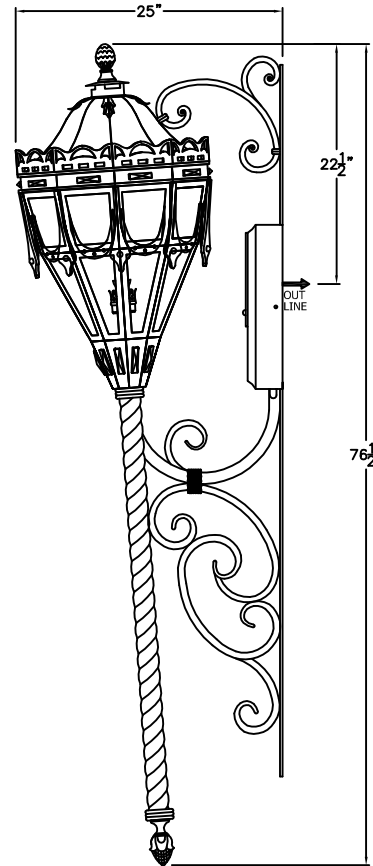




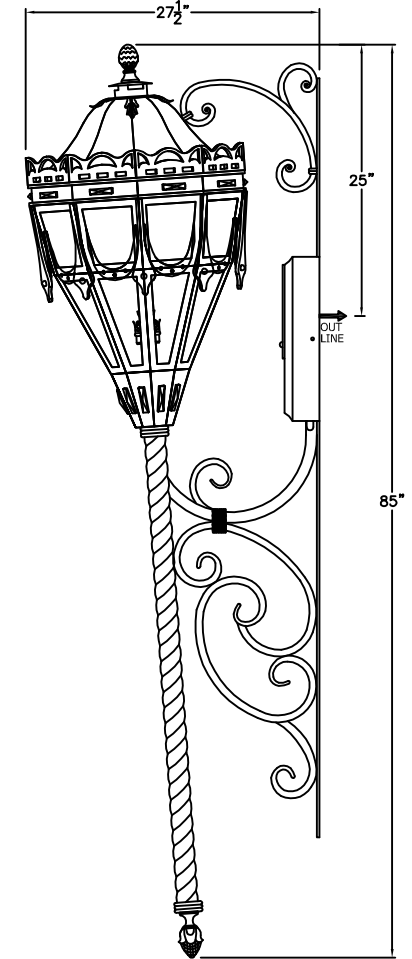
SMALL  
F-009-081  
14" W X 49" H X 18" D



MEDIUM  
F-009-082  
15 1/2" W X 66" H X 22" D



LARGE  
F-009-083  
19" W X 76 1/2" H X 25" D



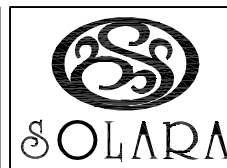
XLARGE  
F-009-084  
21" W X 85" H X 27 1/2" D

AVAILABLE IN  
GAS & ELECTRIC  
WITH EXCEPTION  
OF SMALL SIZE

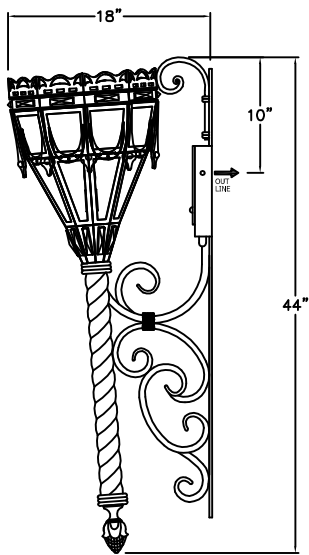
\* ACTUAL DIMENSIONS MAY VARY UP TO 1/2"

CUSTOM DRAWING CHANGES:

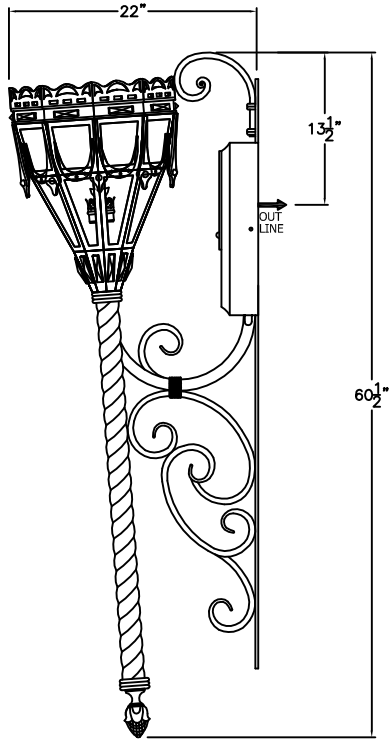
© 2011 SOLARA ENCHAINMENT  
UNAUTHORIZED USE OF THIS  
PLAN IS IN VIOLATION OF THE  
U.S. COPYRIGHT ACT TITLE 17  
OF THE U.S. CODE.



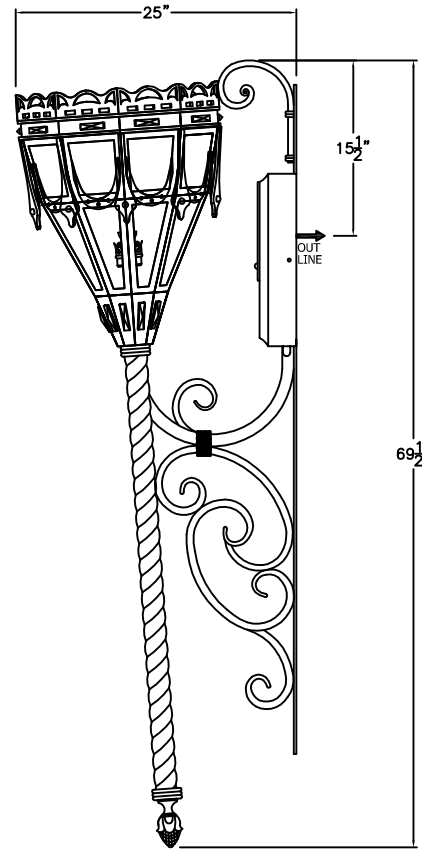
DESIGN:	SANTORINI
LINE:	TORCH MOUNT
FILE:	F-009-08SET-EG-S100-1
DATE REV:	14-MAR-11



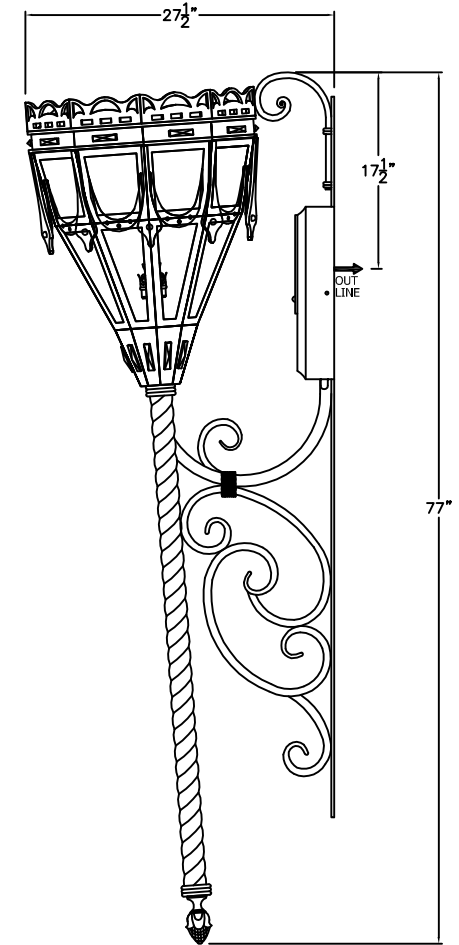
SMALL  
F-009-091  
14" W X 44" H X 18" D



MEDIUM  
F-009-092  
15 1/2" W X 60 1/2" H X 22" D



LARGE  
F-009-093  
19" W X 69 1/2" H X 25" D



X-LARGE  
F-009-094  
21" W X 77" H X 27 1/2" D

AVAILABLE IN  
GAS & ELECTRIC  
WITH EXCEPTION  
OF SMALL SIZE

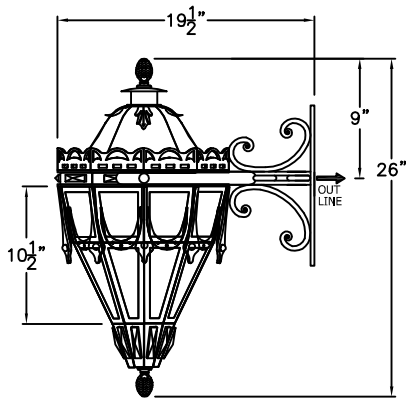
\* ACTUAL DIMENSIONS MAY VARY UP TO 1/2"

CUSTOM DRAWING CHANGES:

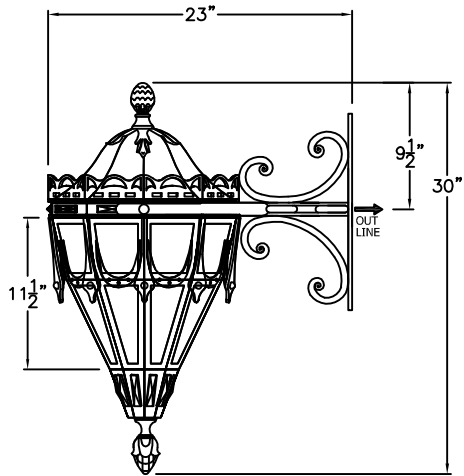
© 2011 SOLARA ENCHAINMENT  
UNAUTHORIZED USE OF THIS  
PLAN IS IN VIOLATION OF THE  
U.S. COPYRIGHT ACT TITLE 17  
OF THE U.S. CODE.



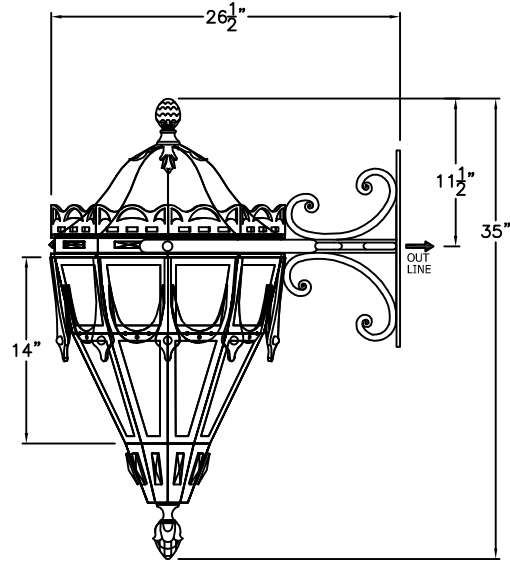
DESIGN:	SANTORINI
LINE:	TORCH MOUNT
FILE:	F-009-09SET-EG-S100-1
DATE REV:	14-MAR-11



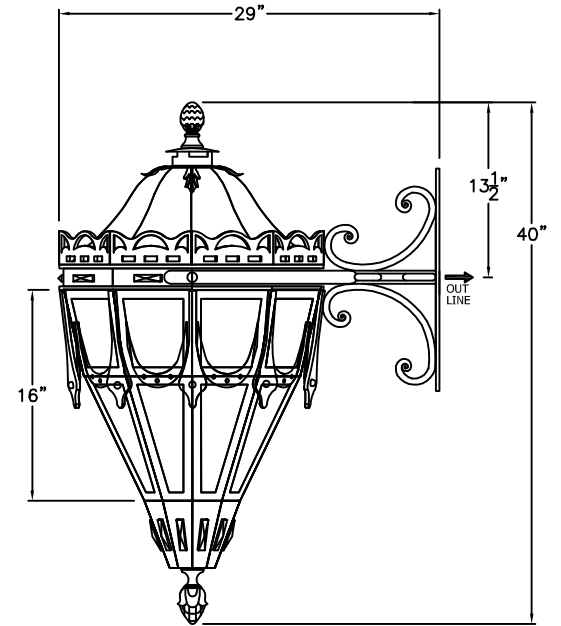
SMALL  
F-009-101  
14" W X 26" H X 19 1/2" D



MEDIUM  
F-009-102  
15 1/2" W X 30" H X 23" D



LARGE  
F-009-103  
19" W X 35" H X 26 1/2" D



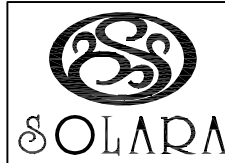
X-LARGE  
F-009-104  
21" W X 40" H X 29" D

ONLY AVAILABLE  
IN ELECTRIC

\* ACTUAL DIMENSIONS MAY VARY UP TO 1/2"

CUSTOM DRAWING CHANGES:

© 2011 SOLARA ENCHAINMENT  
UNAUTHORIZED USE OF THIS  
PLAN IS IN VIOLATION OF THE  
U.S. COPYRIGHT ACT TITLE 17  
OF THE U.S. CODE.



DESIGN:	SANTORINI
LINE:	HANGING MOUNT
FILE:	F-009-10SET-EG-S100-2
DATE REV:	14-MAR-11