



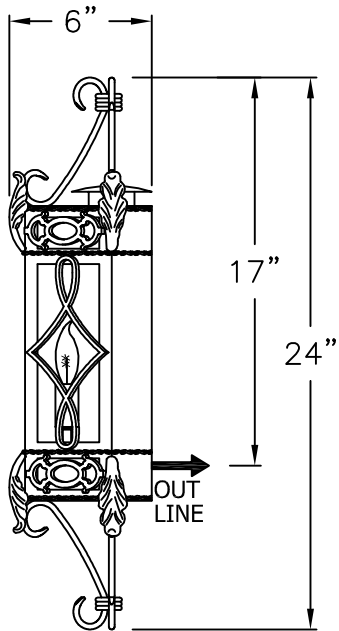
SOLARA

Iron Doors & Lighting

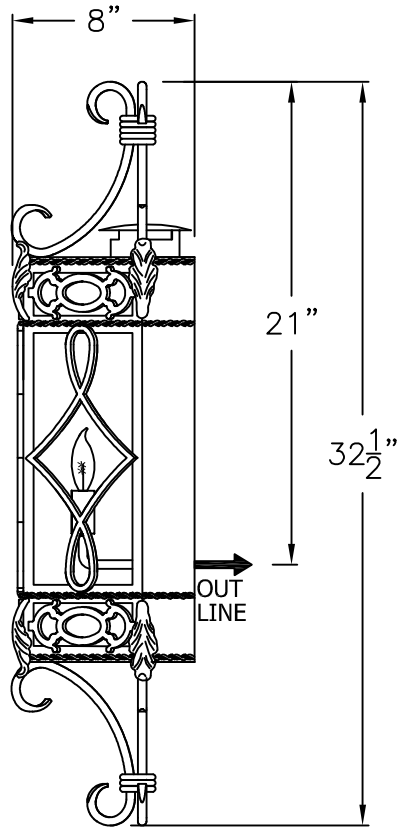


Turin - D009

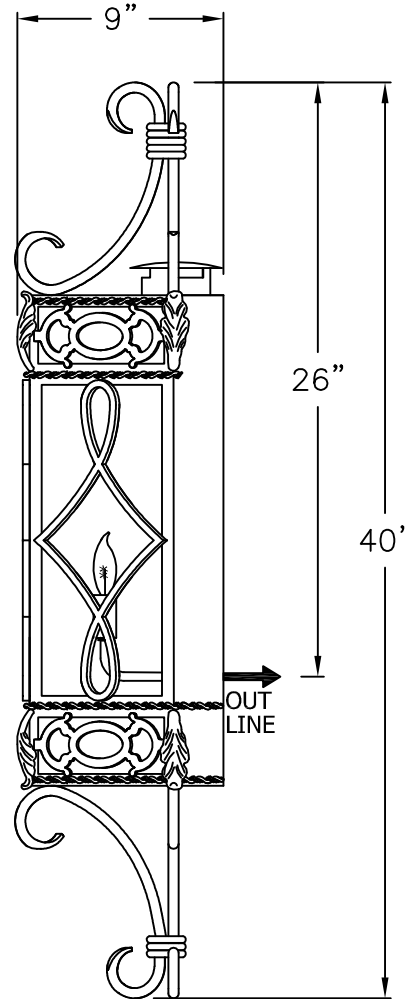




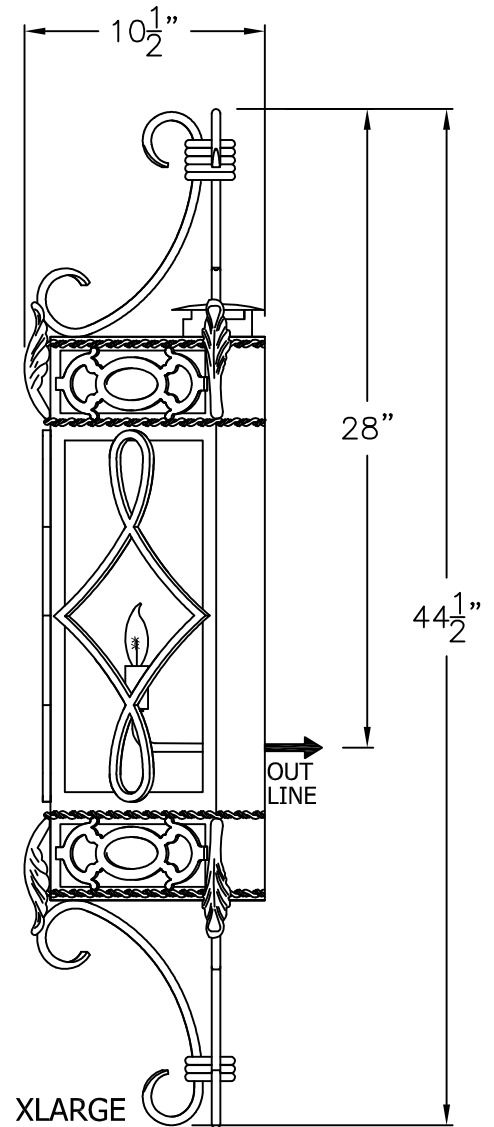
SMALL
D-009-001
 10" W X 24" H X 6" D



MEDIUM
D-009-002
 13 1/2" W X 32 1/2" H X 8" D



LARGE
D-009-003
 15 1/2" W X 40" H X 9" D



XLARGE
D-009-004
 18 1/2" W X 44 1/2" H X 10 1/2" D

ONLY AVAILABLE
 IN ELECTRIC

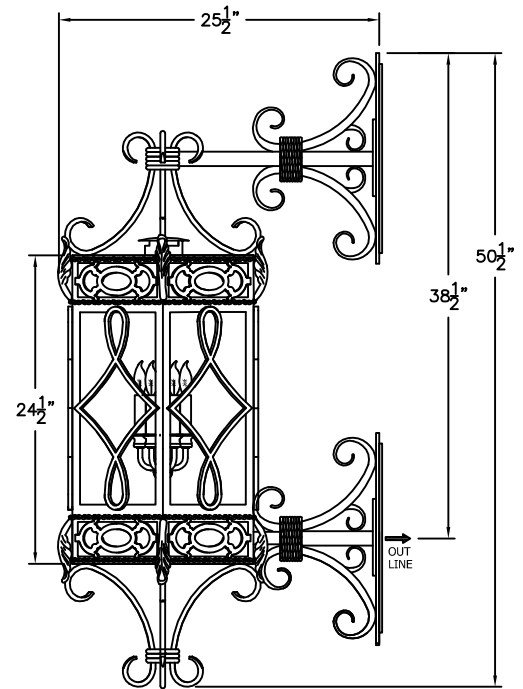
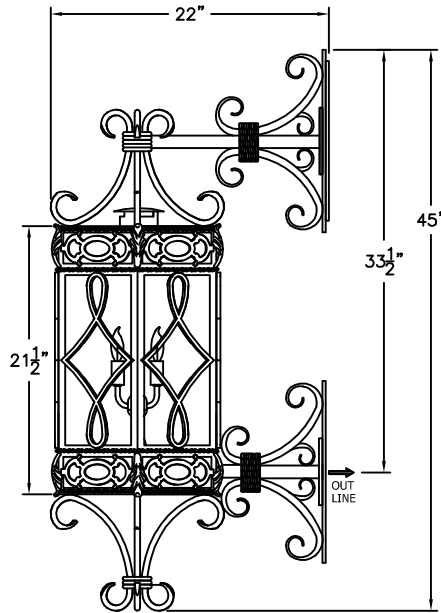
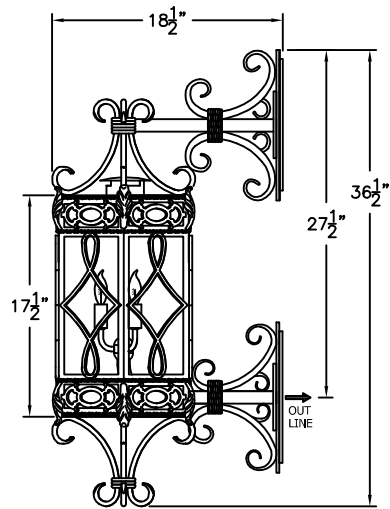
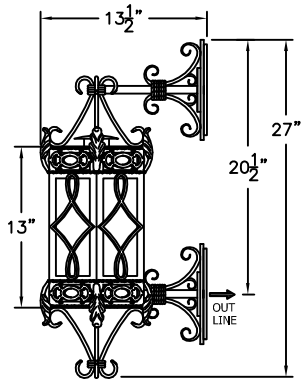
* ACTUAL DIMENSIONS MAY VARY UP TO 1/2"

CUSTOM DRAWING CHANGES:

© 2011 SOLARA ENCHAINMENT
 UNAUTHORIZED USE OF THIS
 PLAN IS IN VIOLATION OF THE
 U.S. COPYRIGHT ACT TITLE 17
 OF THE U.S. CODE.



DESIGN:	TURIN
LINE:	SCONCE MOUNT
FILE:	D-009-00SET-EL-S100-1
DATE REV:	10-FEB-11



SMALL
D-009-011

10" W x 27" H x 13 1/2" D

MEDIUM
D-009-012

13 1/2" W x 36 1/2" H x 18 1/2" D

LARGE
D-009-013

15 1/2" W x 45" H x 22" D

X-LARGE
D-009-014

18 1/2" W x 50 1/2" H x 25 1/2" D

ONLY AVAILABLE
IN ELECTRIC

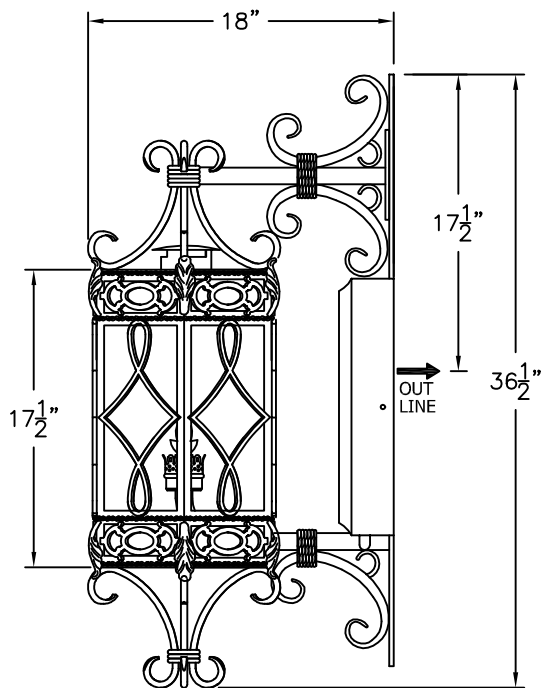
* ACTUAL DIMENSIONS MAY VARY UP TO 1/2"

CUSTOM DRAWING CHANGES:

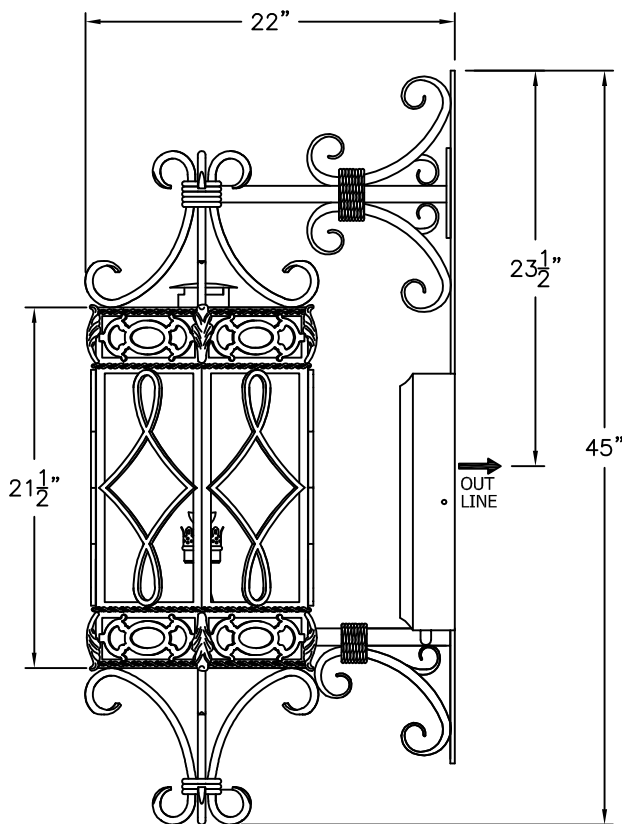
© 2010 SOLARA ENCHAINMENT
UNAUTHORIZED USE OF THIS
PLAN IS IN VIOLATION OF THE
U.S. COPYRIGHT ACT TITLE 17
OF THE U.S. CODE



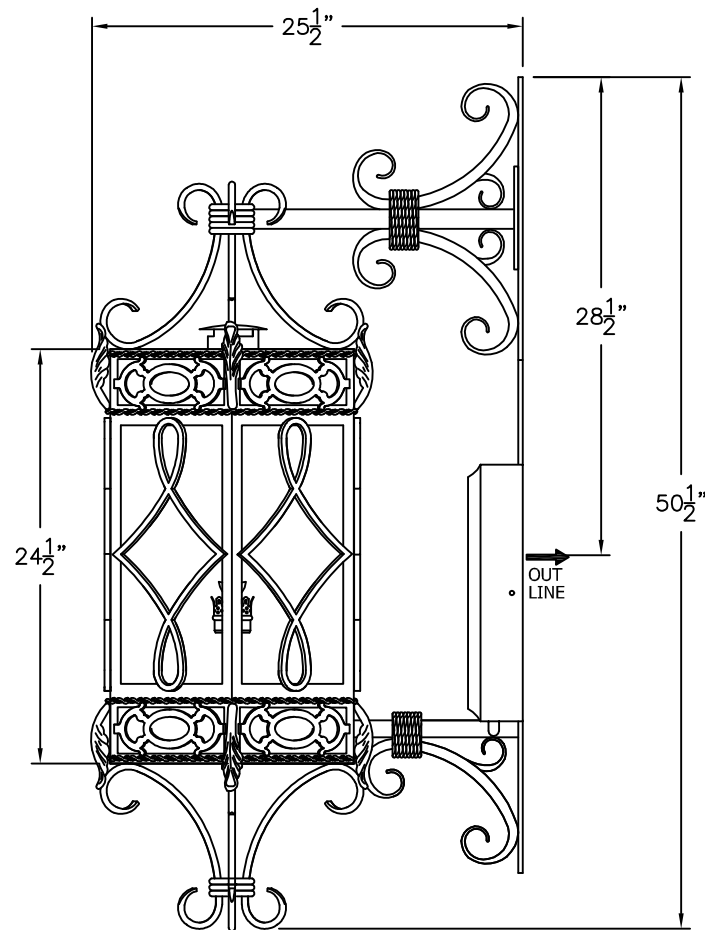
DESIGN:	TURIN
LINE:	WALL MOUNT
FILE:	D-009-01SET-EL-S100-3
DATE REV:	30-SEP-10



MEDIUM
D-009-012
13 1/2" W x 36 1/2" H x 18" D



LARGE
D-009-013
15 1/2" W x 45" H x 22" D



XLARGE
D-009-014
18 1/2" W x 50 1/2" H x 25 1/2" D

AVAILABLE IN
GAS & ELECTRIC

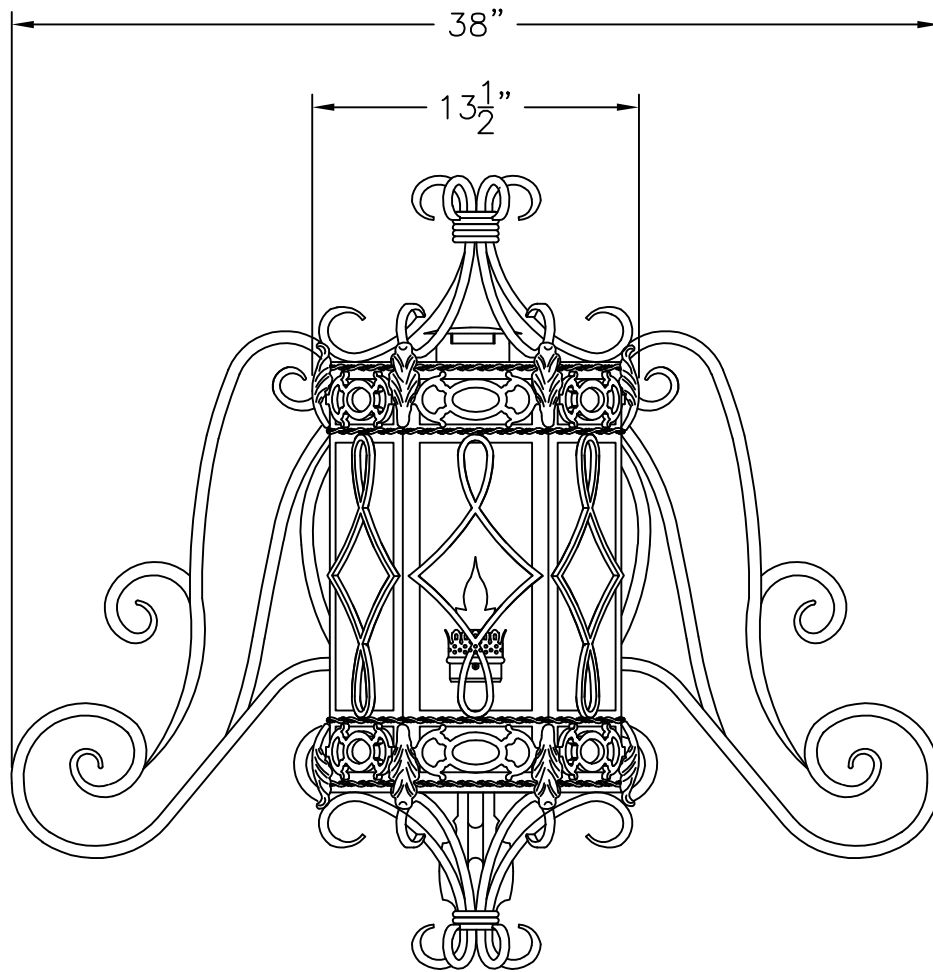
* ACTUAL DIMENSIONS MAY VARY UP TO 1/2"

CUSTOM DRAWING CHANGES:

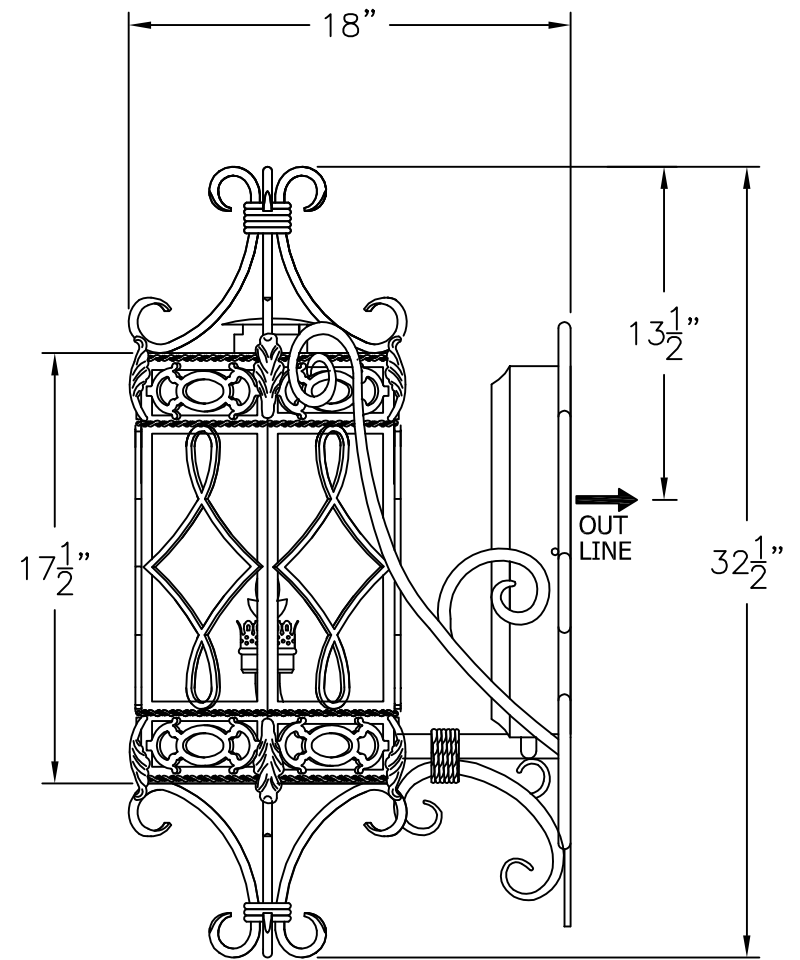
© 2010 SOLARA ENCHAINMENT
UNAUTHORIZED USE OF THIS
PLAN IS IN VIOLATION OF THE
U.S. COPYRIGHT ACT TITLE 17
OF THE U.S. CODE.



DESIGN:	TURIN
LINE:	WALL MOUNT
FILE:	D-009-01SET-EG-S100-2
DATE REV:	30-SEP-10



FRONT VIEW



SIDE VIEW

MEDIUM
D-009-022
38" W x 32 1/2" H x 18" D

AVAILABLE IN
GAS & ELECTRIC

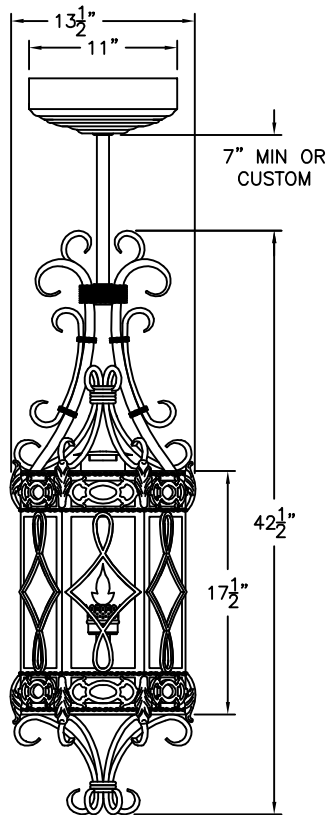
* ACTUAL DIMENSIONS MAY VARY UP TO 1/2"

CUSTOM DRAWING CHANGES:

© 2010 SOLARA ENCHAINMENT
UNAUTHORIZED USE OF THIS
PLAN IS IN VIOLATION OF THE
U.S. COPYRIGHT ACT TITLE 17
OF THE U.S. CODE

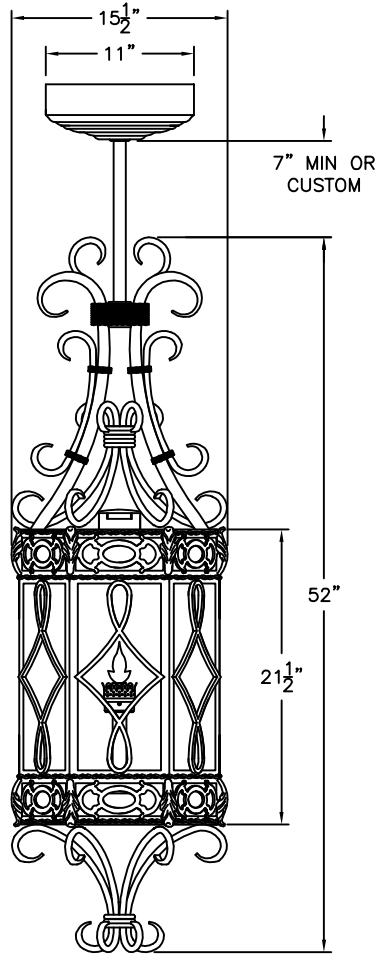


DESIGN:	TURIN
LINE:	CENTRAL MOUNT
FILE:	D-009-022-EG-S100-2
DATE REV:	30-SEP-10



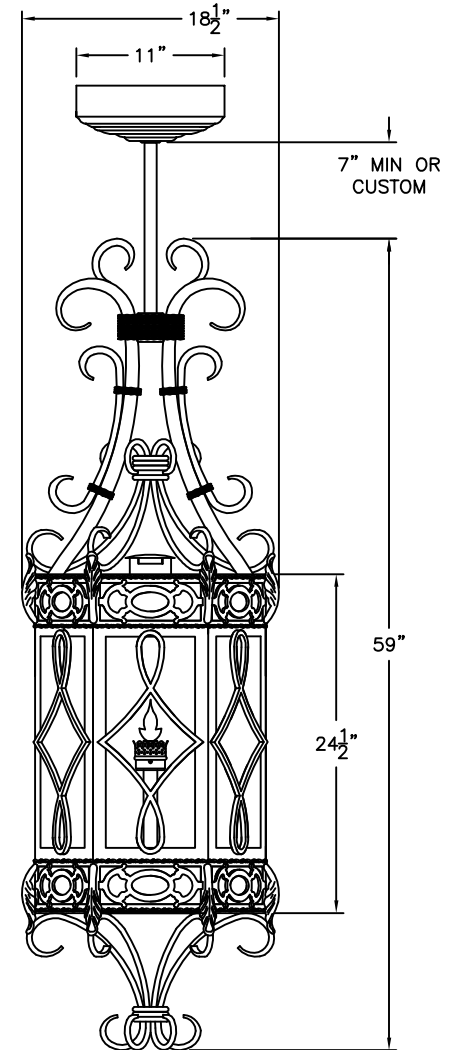
MEDIUM
D-009-032

13 1/2" W X 42 1/2" H X 11 1/2" D



LARGE
D-009-033

15 1/2" W X 52" H X 13 1/2" D



XLARGE
D-009-034

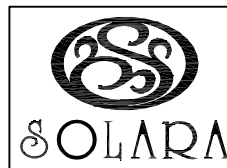
18 1/2" W X 59" H X 16" D

AVAILABLE IN
GAS & ELECTRIC
WITH EXCEPTION
OF SMALL SIZE

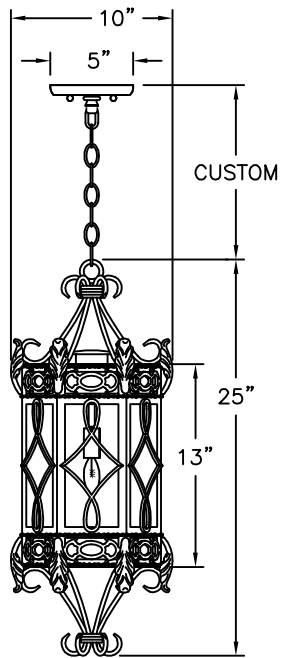
* ACTUAL DIMENSIONS MAY VARY UP TO 1/2"

CUSTOM DRAWING CHANGES:

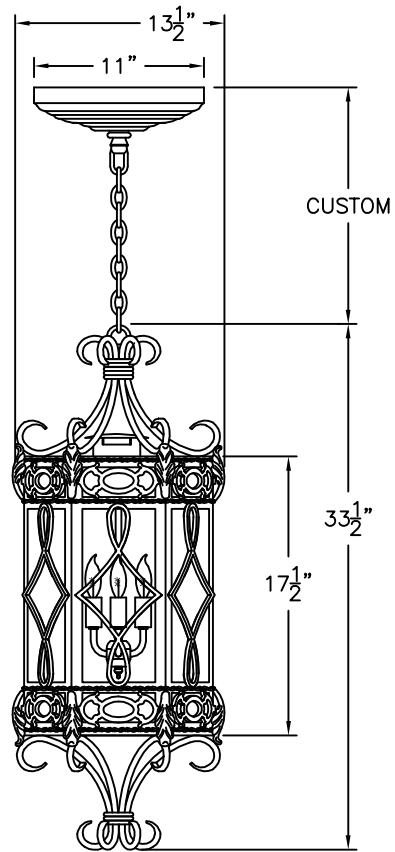
© 2011 SOLARA ENCHAINMENT
UNAUTHORIZED USE OF THIS
PLAN IS IN VIOLATION OF THE
U.S. COPYRIGHT ACT TITLE 17
OF THE U.S. CODE.



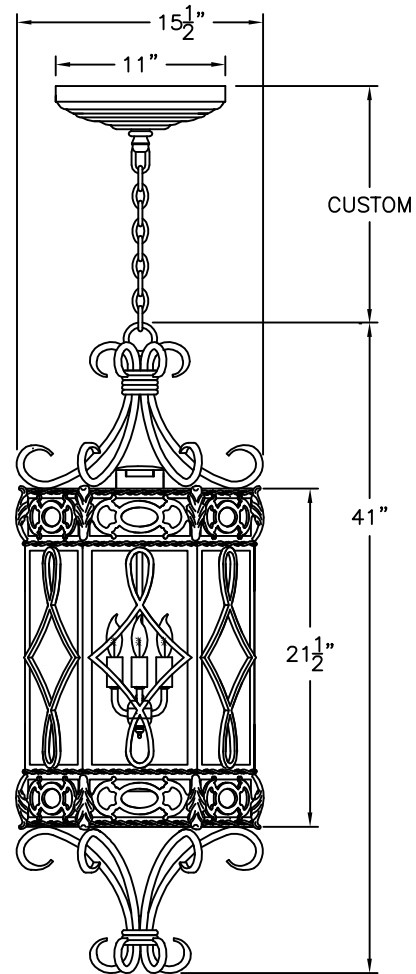
DESIGN:	TURIN
LINE:	PENDANT STEM
FILE:	D-009-03SET-EG-S100-2
DATE REV:	21-JUNE-11



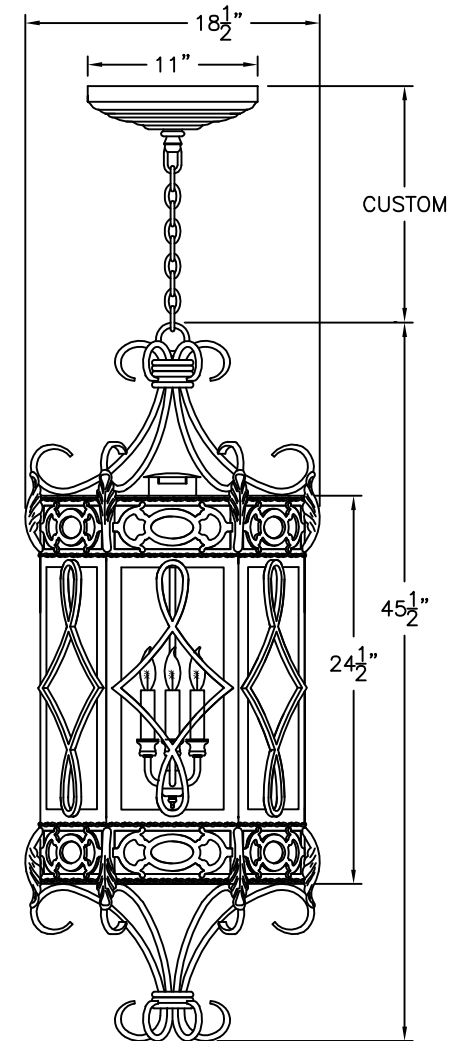
SMALL
D-009-041
10" W X 25" H X 8 1/2" D



MEDIUM
D-009-042
13 1/2" W X 33 1/2" H X 11 1/2" D



LARGE
D-009-043
15 1/2" W X 41" H X 13 1/2" D



XLARGE
D-009-044
18 1/2" W X 45 1/2" H X 16" D

ONLY AVAILABLE
IN ELECTRIC

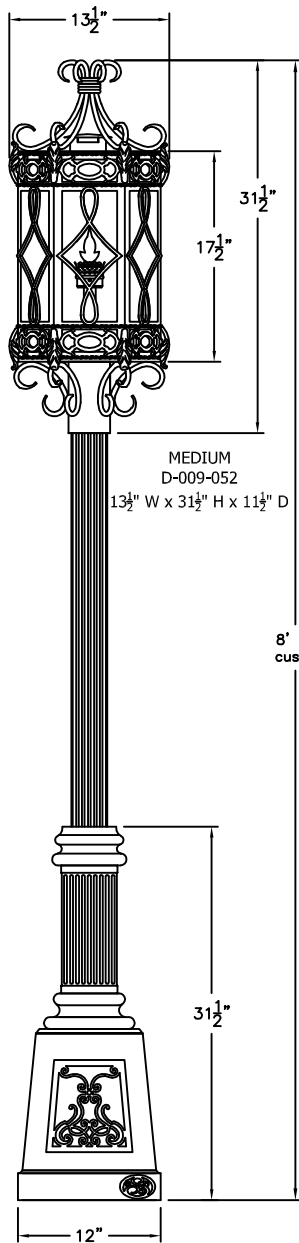
* ACTUAL DIMENSIONS MAY VARY UP TO 1/2"

CUSTOM DRAWING CHANGES:

© 2011 SOLARA ENCHAINMENT
UNAUTHORIZED USE OF THIS
PLAN IS IN VIOLATION OF THE
U.S. COPYRIGHT ACT TITLE 17
OF THE U.S. CODE.



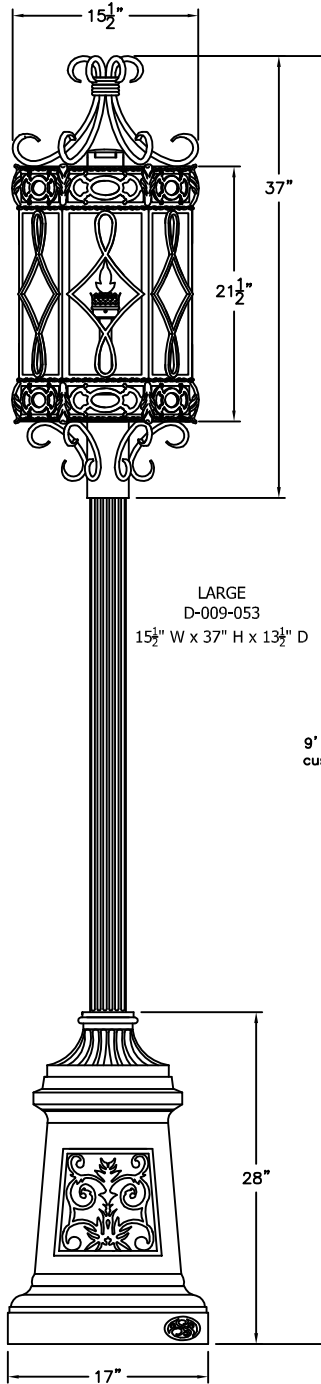
DESIGN:	TURIN
LINE:	PENDANT CHAIN
FILE:	D-009-04SET-EL-S100-5
DATE REV:	21-JUNE-11



SOLARA BASE

MEDIUM
D-009-052
13 1/2" W x 31 1/2" H x 11 1/2" D

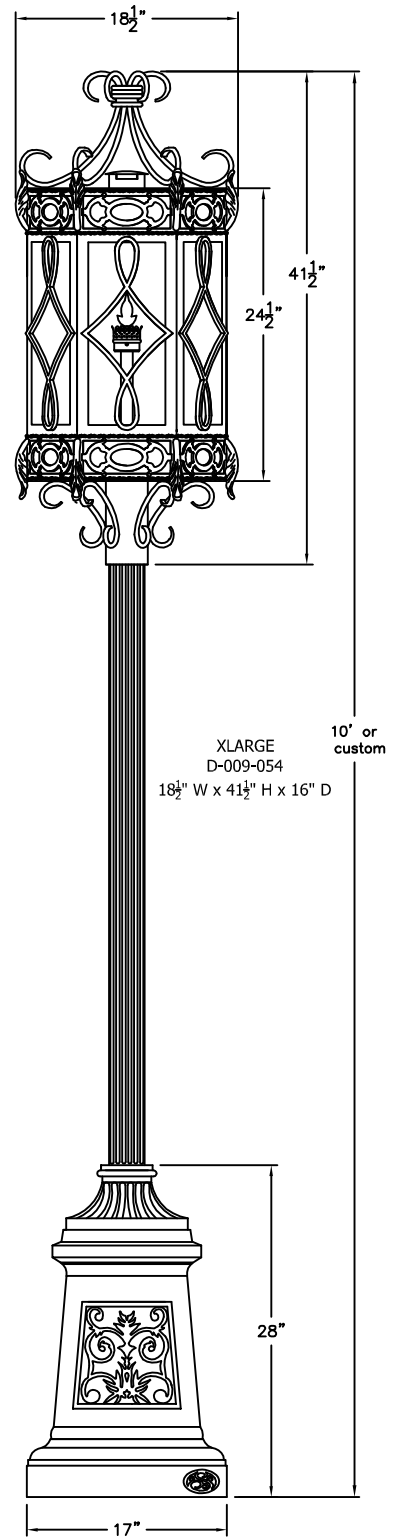
8' or
custom



MUNICH BASE

LARGE
D-009-053
15 1/2" W x 37" H x 13 1/2" D

9' or
custom



XLARGE
D-009-054
18 1/2" W x 41 1/2" H x 16" D

10' or
custom

AVAILABLE IN
GAS & ELECTRIC
WITH EXCEPTION
OF SMALL SIZE

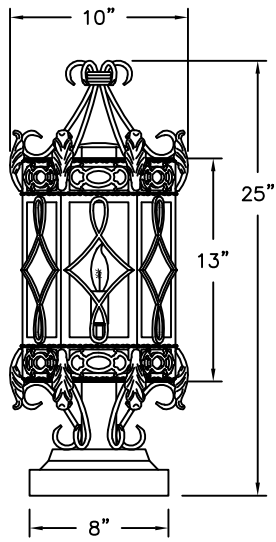
* POST ARE SOLD SEPARATELY
* ACTUAL DIMENSIONS MAY VARY UP TO 1/2"

CUSTOM DRAWING CHANGES:

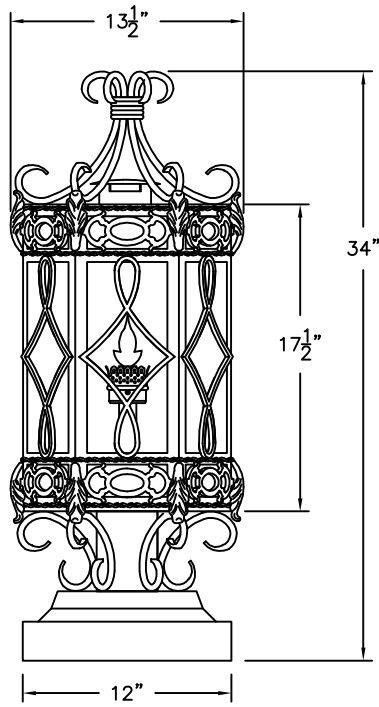
© 2011 SOLARA ENCHAINMENT
UNAUTHORIZED USE OF THIS
PLAN IS IN VIOLATION OF THE
U.S. COPYRIGHT ACT TITLE 17
OF THE U.S. CODE



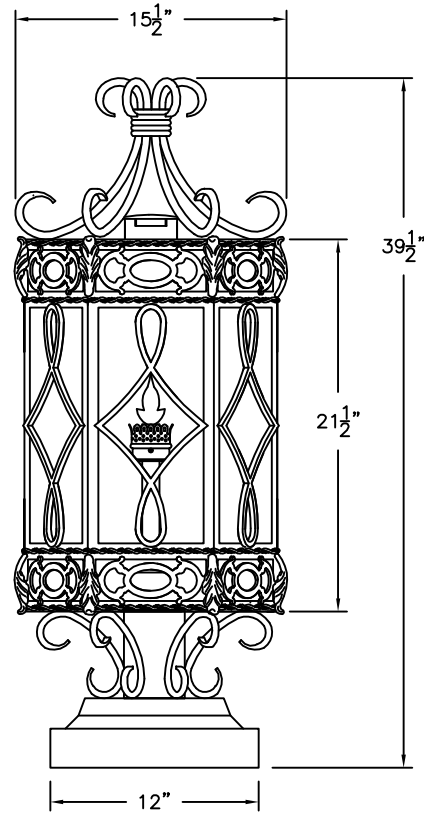
DESIGN: TURIN
LINE: POST MOUNT
FILE: D-009-05SET-EG-S100-2
DATE REV: 21-JUNE-11



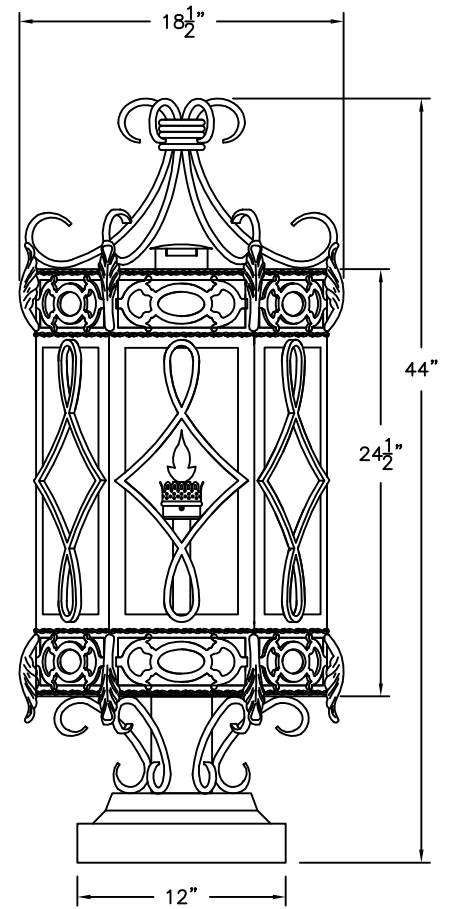
SMALL
D-009-061
10" W X 25" H X 8½" D



MEDIUM
D-009-062
13½" W X 34" H X 11½" D



LARGE
D-009-063
15½" W X 39½" H X 13½" D



XLARGE
D-009-064
18½" W X 44" H X 16" D

AVAILABLE IN
GAS & ELECTRIC
WITH EXCEPTION
OF SMALL SIZE

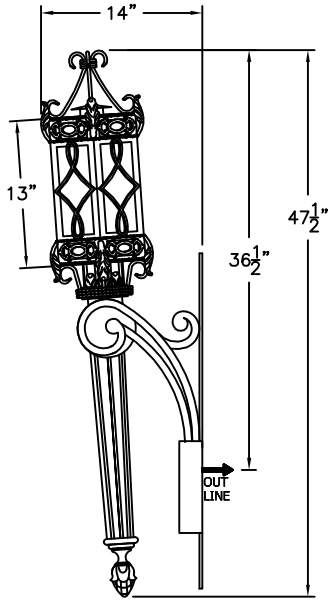
* ACTUAL DIMENSIONS MAY VARY UP TO 1/2"

CUSTOM DRAWING CHANGES:

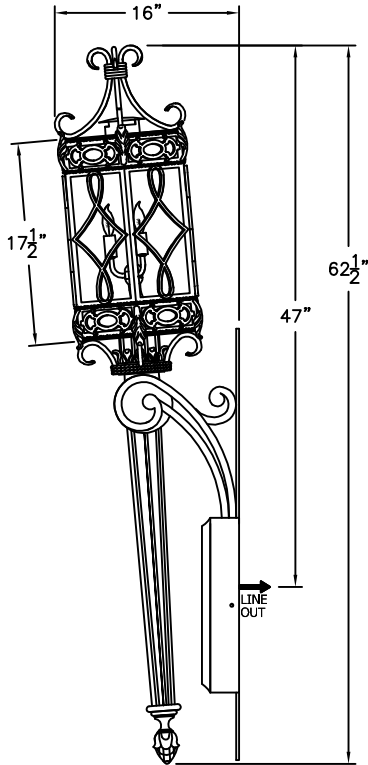
© 2011 SOLARA ENCHAINMENT
UNAUTHORIZED USE OF THIS
PLAN IS IN VIOLATION OF THE
U.S. COPYRIGHT ACT TITLE 17
OF THE U.S. CODE.



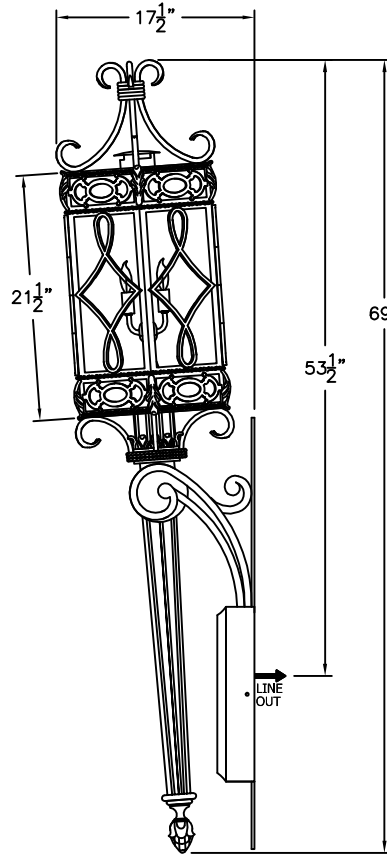
DESIGN:	TURIN
LINE:	PIER MOUNT
FILE:	D-009-06SET-EG-S100-2
DATE REV:	21-JUNE-11



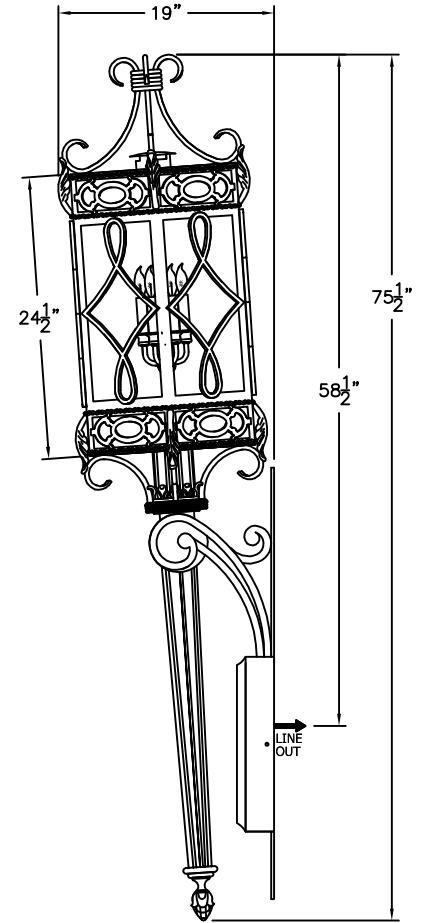
SMALL
D-009-081
10" W x 47 1/2" H x 14" D



MEDIUM
D-009-082
13 1/2" W x 62 1/2" H x 16" D



LARGE
D-009-083
15 1/2" W x 69" H x 17 1/2" D



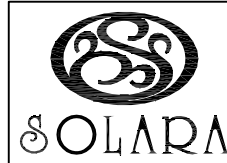
X-LARGE
D-009-084
18 1/2" W x 75 1/2" H x 19" D

AVAILABLE IN
GAS & ELECTRIC

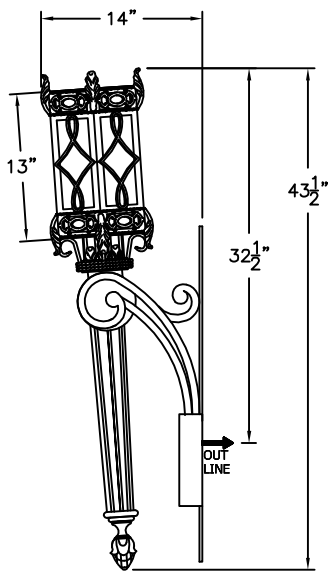
* ACTUAL DIMENSIONS MAY VARY UP TO 1/2"

CUSTOM DRAWING CHANGES:

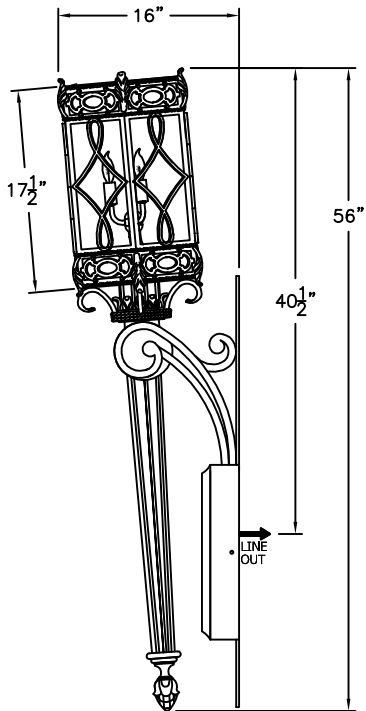
© 2010 SOLARA ENCHAINMENT
UNAUTHORIZED USE OF THIS
PLAN IS IN VIOLATION OF THE
U.S. COPYRIGHT ACT TITLE 17
OF THE U.S. CODE



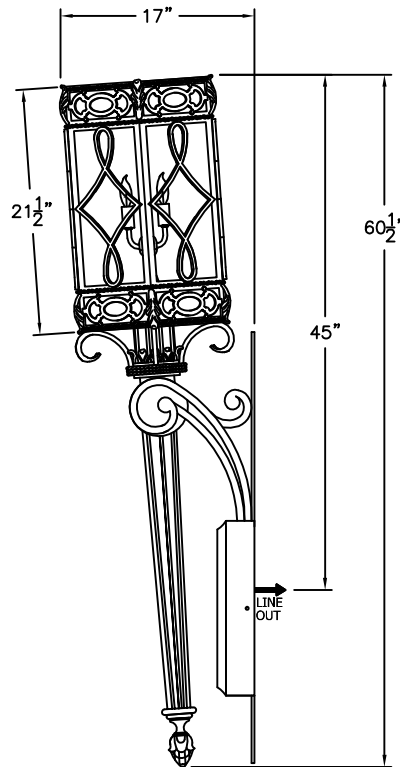
DESIGN:	TURIN
LINE:	TORCH MOUNT
FILE:	D-009-08SET-EL-S100-2
DATE REV:	30-SEP-10



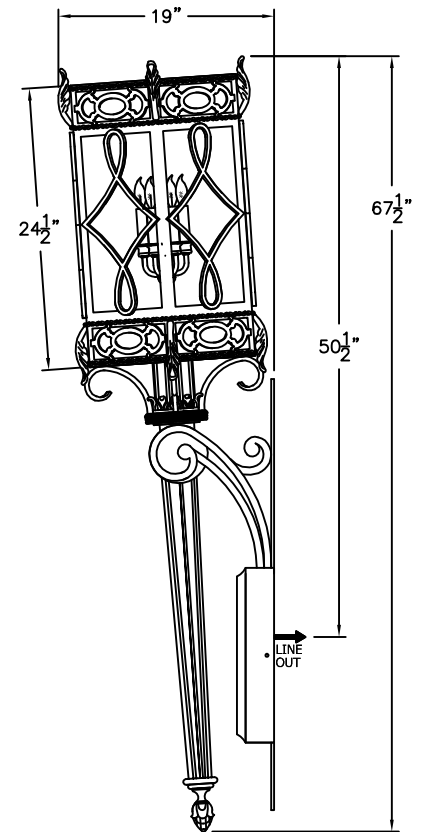
SMALL
D-009-091
10" W x 43 1/2" H x 14" D



MEDIUM
D-009-092
13 1/2" W x 56" H x 16" D



LARGE
D-009-093
15 1/2" W x 60 1/2" H x 17" D



X-LARGE
D-009-094
18 1/2" W x 67 1/2" H x 19" D

AVAILABLE IN
GAS & ELECTRIC

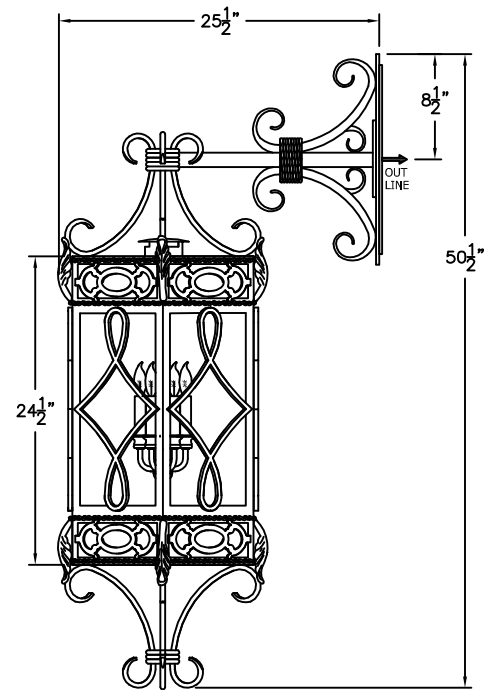
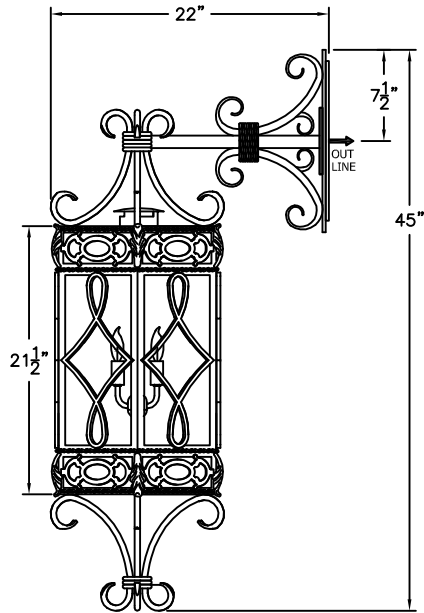
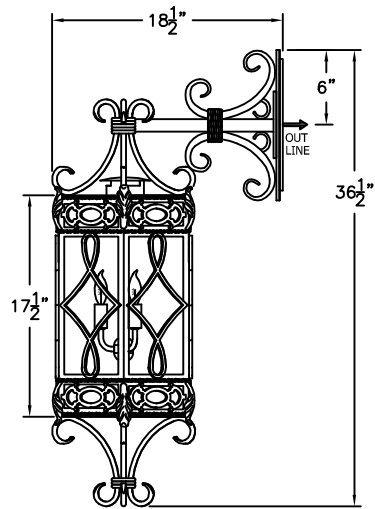
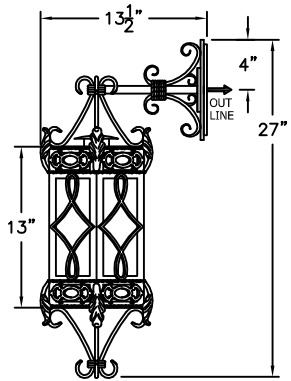
* ACTUAL DIMENSIONS MAY VARY UP TO 1/2"

CUSTOM DRAWING CHANGES:

© 2010 SOLARA ENCHAINMENT
UNAUTHORIZED USE OF THIS
PLAN IS IN VIOLATION OF THE
U.S. COPYRIGHT ACT TITLE 17
OF THE U.S. CODE



DESIGN:	TURIN
LINE:	TORCH MOUNT
FILE:	D-009-09SET-EL-S100-2
DATE REV:	30-SEP-10



SMALL
D-009-101

10" W x 27" H x 13 1/2" D

MEDIUM
D-009-102

13 1/2" W x 36 1/2" H x 18 1/2" D

LARGE
D-009-103

15 1/2" W x 45" H x 22" D

X-LARGE
D-009-104

18 1/2" W x 50 1/2" H x 25 1/2" D

**ONLY AVAILABLE
IN ELECTRIC**

* ACTUAL DIMENSIONS MAY VARY UP TO 1/2"

CUSTOM DRAWING CHANGES:

© 2010 SOLARA ENCHAINMENT
UNAUTHORIZED USE OF THIS
PLAN IS IN VIOLATION OF THE
U.S. COPYRIGHT ACT TITLE 17
OF THE U.S. CODE



DESIGN:	TURIN
LINE:	HANGING MOUNT
FILE:	D-009-10SET-EL-S100-1
DATE REV:	30-SEP-10