

SMALL
C-002-001

10" W X 20 1/2" H X 6" D

MEDIUM
C-002-002

13 1/2" W X 28" H X 8 1/2" D

LARGE
C-002-003

17" W X 33 1/2" H X 10" D

XLARGE
C-002-004

20 1/2" W X 38 1/2" H X 12" D

**ONLY AVAILABLE
IN ELECTRIC**

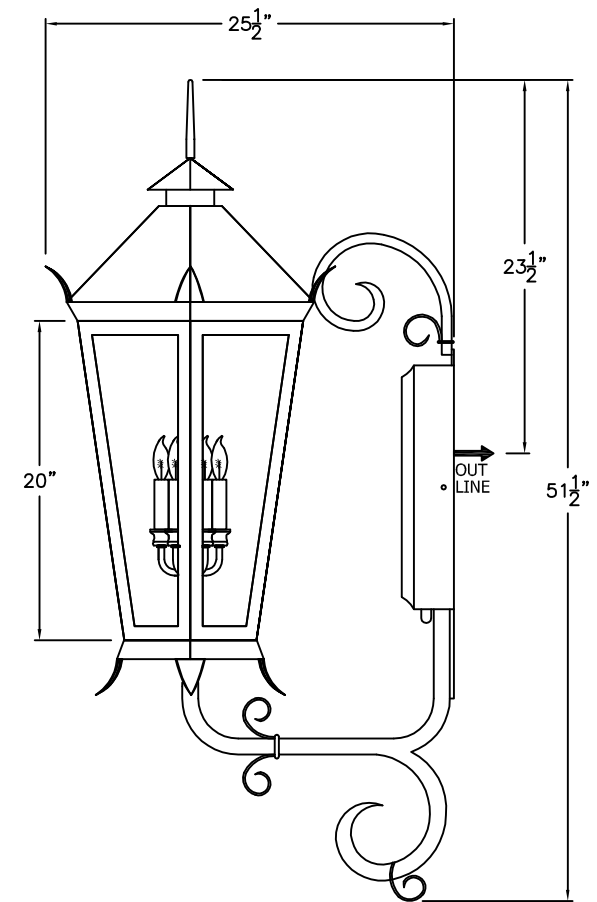
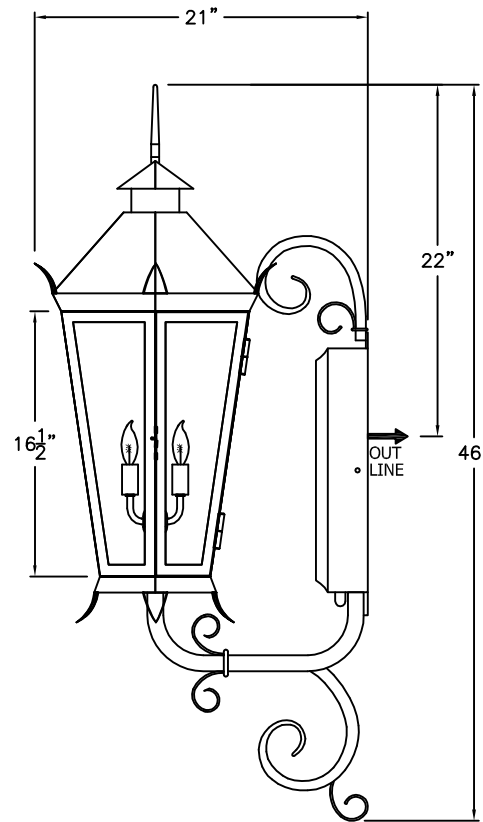
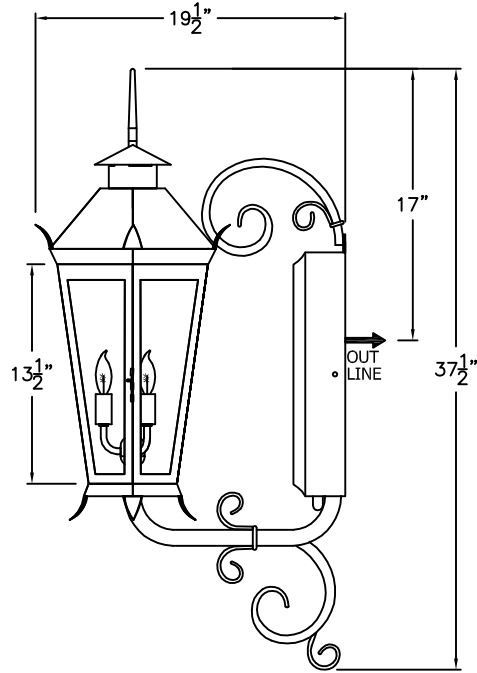
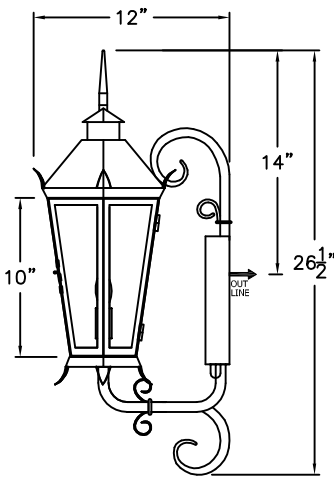
* ACTUAL DIMENSIONS MAY VARY UP TO 1/2"

CUSTOM DRAWING CHANGES:

© 2010 SOLARA ENCHAINMENT
UNAUTHORIZED USE OF THIS
PLAN IS IN VIOLATION OF THE
U.S. COPYRIGHT ACT TITLE 17
OF THE U.S. CODE.



DESIGN:	VIKING
LINE:	SCONCE MOUNT
FILE:	C-002-00SET-EL-S100-1
DATE REV:	29-SEP-10



SMALL
C-002-011

10" W X 26 1/2" H X 12" D

MEDIUM
C-002-012

13 1/2" W X 37 1/2" H X 19 1/2" D

LARGE
C-002-013

17" W X 46" H X 21" D

XLARGE
C-002-014

20 1/2" W X 51 1/2" H X 25 1/2" D

AVAILABLE IN
GAS & ELECTRIC
WITH EXCEPTION
OF SMALL SIZE

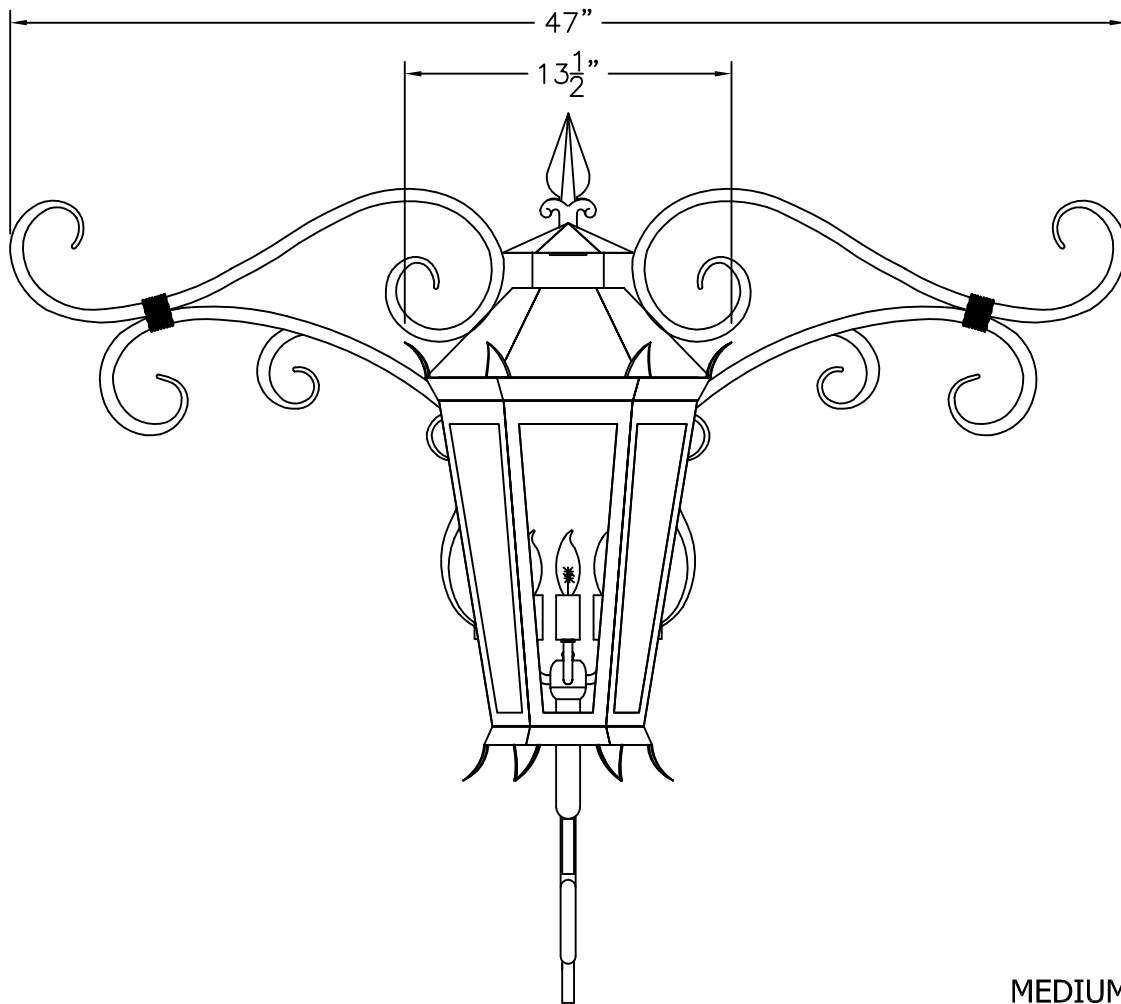
* ACTUAL DIMENSIONS MAY VARY UP TO 1/2"

CUSTOM DRAWING CHANGES:

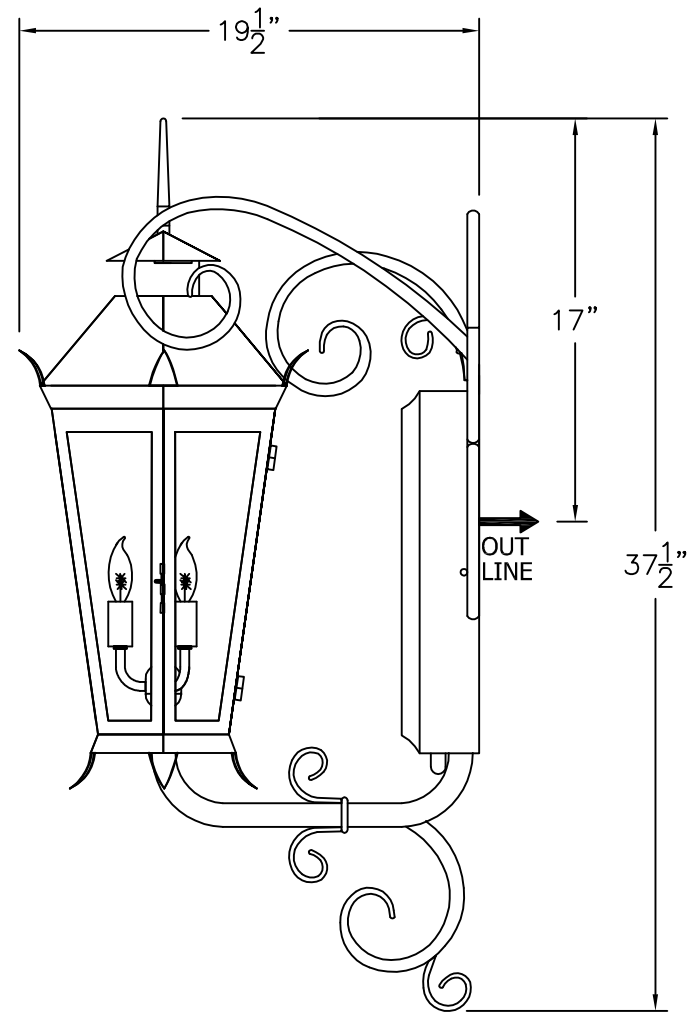
© 2010 SOLARA ENCHAINMENT
UNAUTHORIZED USE OF THIS
PLAN IS IN VIOLATION OF THE
U.S. COPYRIGHT ACT TITLE 17
OF THE U.S. CODE.



DESIGN:	VIKING
LINE:	WALL MOUNT
FILE:	C-002-01SET-EL-S100-1
DATE REV:	28-SEP-10



FRONT VIEW



SIDE VIEW

MEDIUM
C-002-022
47" W X 37 1/2" H X 19 1/2" D

AVAILABLE IN
GAS & ELECTRIC
WITH EXCEPTION
OF SMALL SIZE

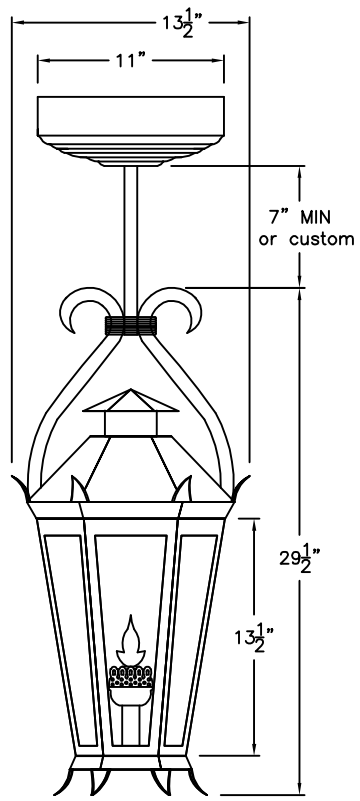
* ACTUAL DIMENSIONS MAY VARY UP TO 1/2"

CUSTOM DRAWING CHANGES:

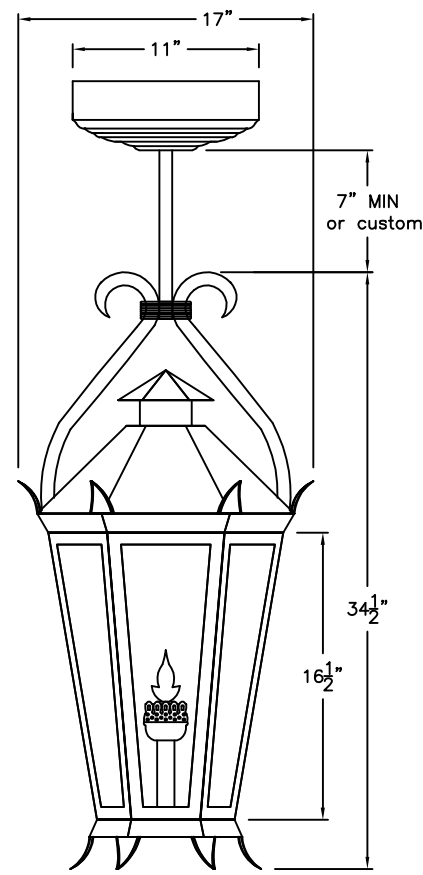
© 2010 SOLARA ENCHAINMENT
UNAUTHORIZED USE OF THIS
PLAN IS IN VIOLATION OF THE
U.S. COPYRIGHT ACT TITLE 17
OF THE U.S. CODE.



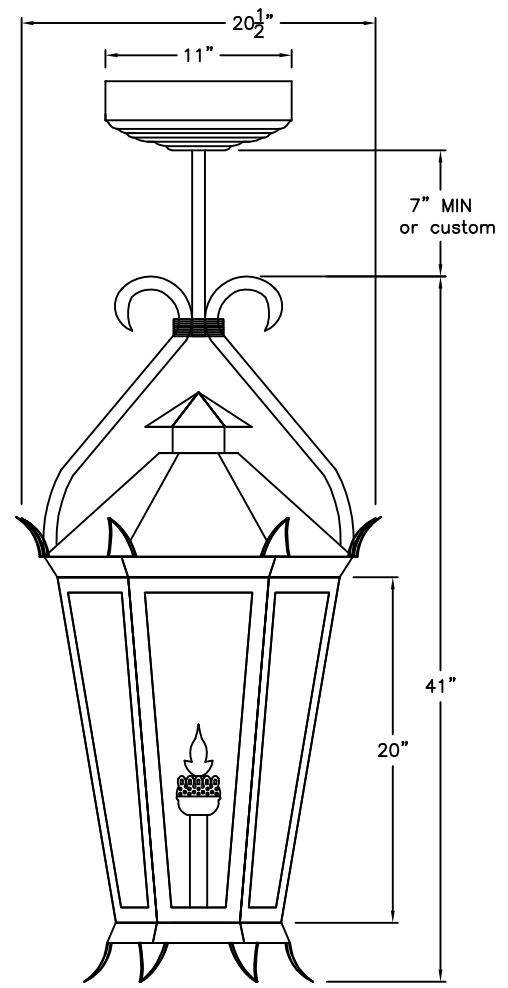
DESIGN:	VIKING
LINE:	CENTRAL MOUNT
FILE:	C-002-022-EL-S100-1
DATE REV:	29-SEP-10



MEDIUM
C-002-032
13 1/2" W X 29 1/2" H X 11 1/2" D



LARGE
C-002-033
17" W X 34 1/2" H X 14 1/2" D



XLARGE
C-002-034
20 1/2" W X 41" H X 18" D

AVAILABLE IN
GAS & ELECTRIC
WITH EXCEPTION
OF SMALL SIZE

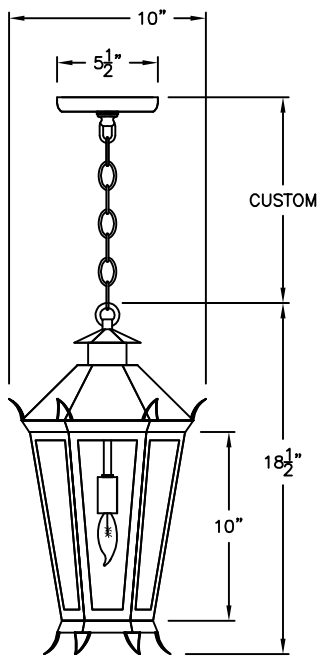
* ACTUAL DIMENSIONS MAY VARY UP TO 1/2"

CUSTOM DRAWING CHANGES:

© 2011 SOLARA ENCHAINMENT
UNAUTHORIZED USE OF THIS
PLAN IS IN VIOLATION OF THE
U.S. COPYRIGHT ACT TITLE 17
OF THE U.S. CODE.

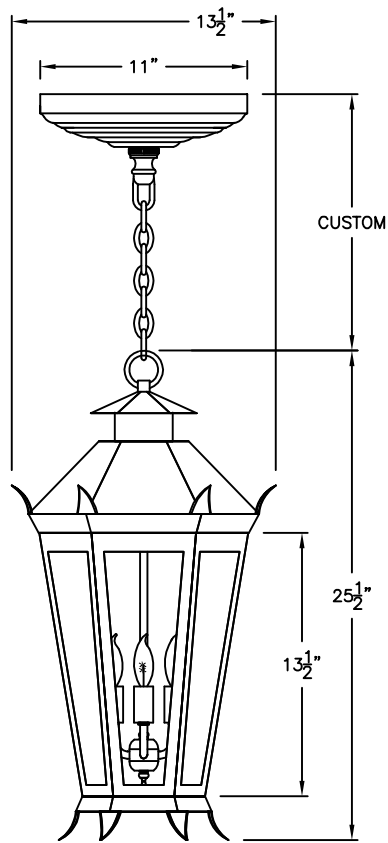


DESIGN:	VIKING
LINE:	PENDANT STEM
FILE:	C-002-03SET-EG-S100-1
DATE REV:	23-JUNE-11



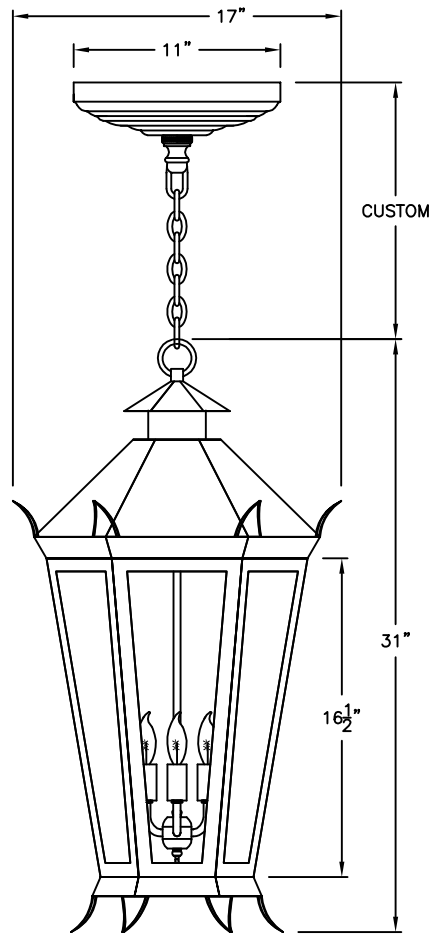
SMALL
C-002-041

10" W X 18½" H X 8½" D



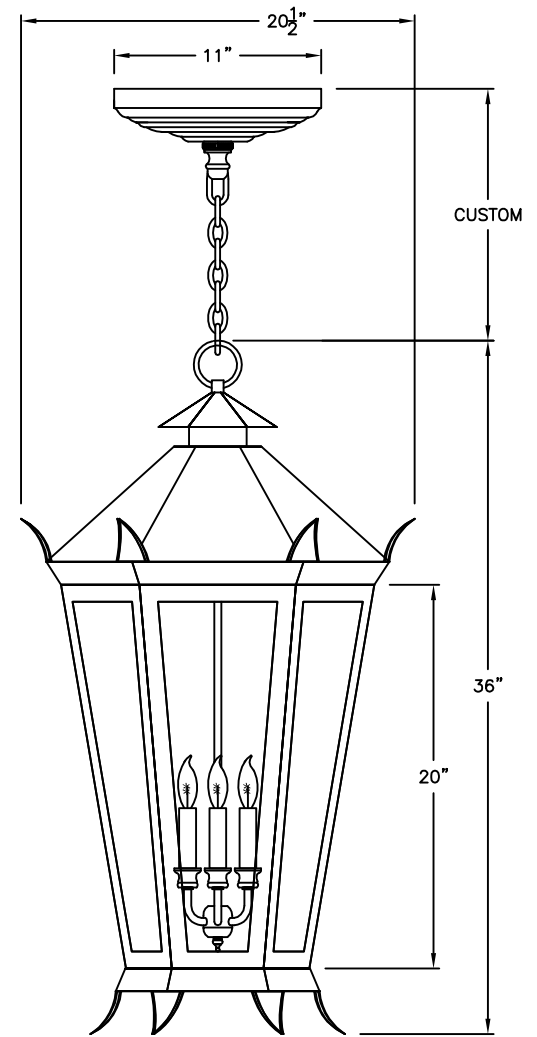
MEDIUM
C-002-042

13½" W X 25½" H X 11½" D



LARGE
C-002-043

17" W X 31" H X 14½" D



XLARGE
C-002-044

20½" W X 36" H X 18" D

**ONLY AVAILABLE
IN ELECTRIC**

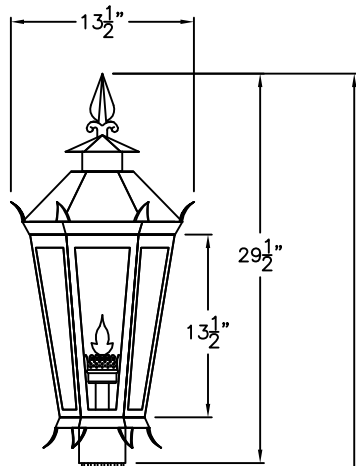
* ACTUAL DIMENSIONS MAY VARY UP TO 1/2"

CUSTOM DRAWING CHANGES:

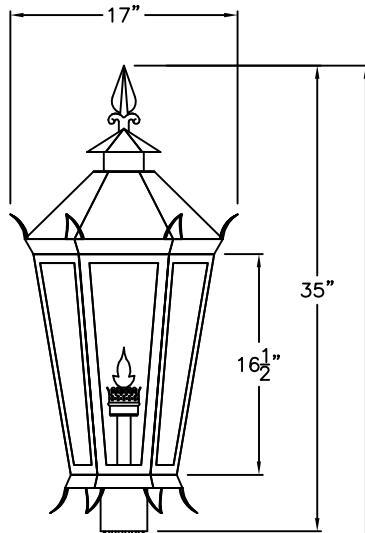
© 2011 SOLARA ENCHAINMENT
UNAUTHORIZED USE OF THIS
PLAN IS IN VIOLATION OF THE
U.S. COPYRIGHT ACT TITLE 17
OF THE U.S. CODE.



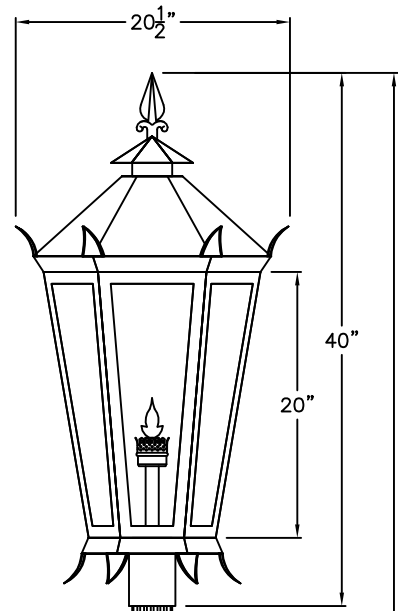
DESIGN:	VIKING
LINE:	PENDANT CHAIN
FILE:	C-002-04SET-EL-S100-1
DATE REV:	23-JUNE-11



MEDIUM
C-002-052
13 1/2" W X 29 1/2" H X 11 1/2" D



LARGE
C-002-053
17" W X 35" H X 14 1/2" D

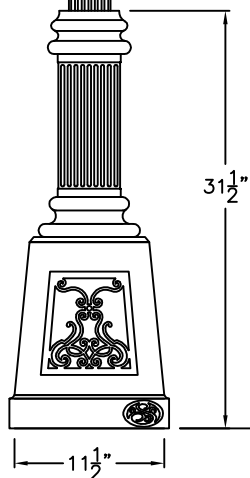


XLARGE
C-002-054
20 1/2" W X 40" H X 18" D

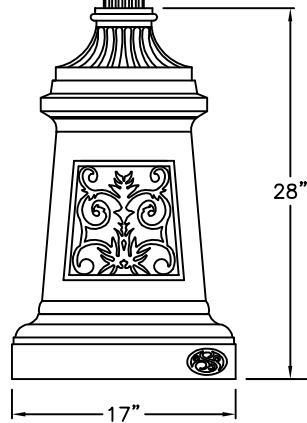
8' MIN
or Custom

8' MIN
or Custom

8' MIN
or Custom



SOLARA BASE



MUNICH BASE

AVAILABLE IN
GAS & ELECTRIC
WITH EXCEPTION
OF SMALL SIZE

* POST ARE SOLD SEPARATELY
* ACTUAL DIMENSIONS MAY VARY UP TO 1/2"

CUSTOM DRAWING CHANGES:

© 2011 SOLARA ENCHAINMENT
UNAUTHORIZED USE OF THIS
PLAN IS IN VIOLATION OF THE
U.S. COPYRIGHT ACT TITLE 17
OF THE U.S. CODE

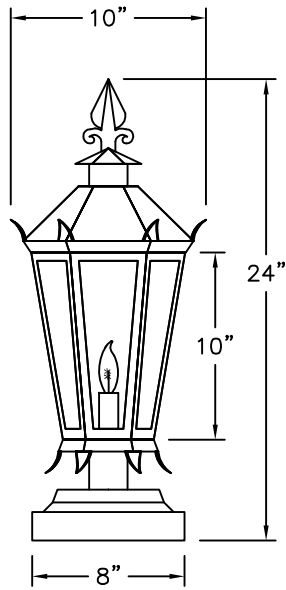


DESIGN: VIKING

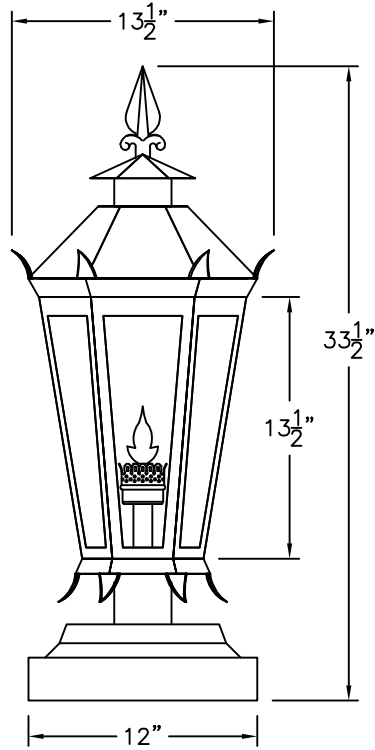
LINE: POST MOUNT

FILE: C-002-05SET-EG-S100-1

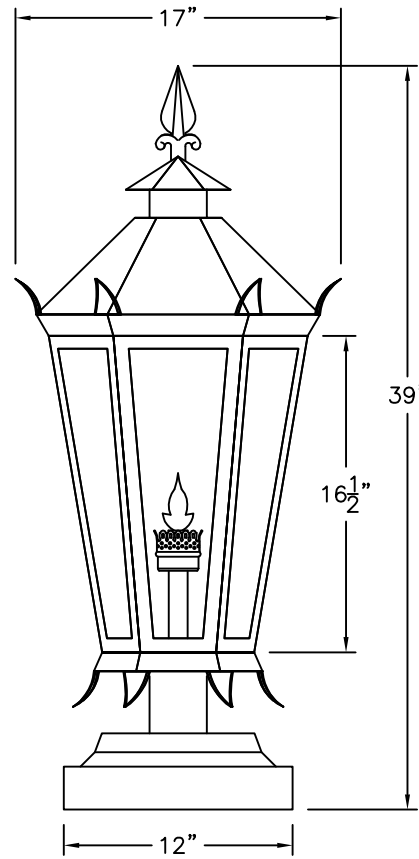
DATE REV: 23-JUNE-11



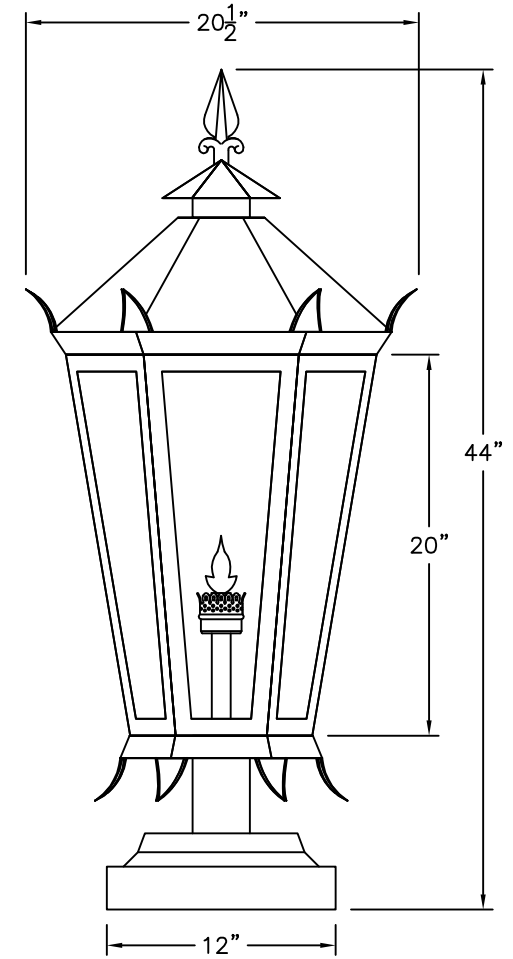
SMALL
C-002-061
10" W X 24" H X 8 $\frac{1}{2}$ " D



MEDIUM
C-002-062
13 $\frac{1}{2}$ " W X 33 $\frac{1}{2}$ " H X 11 $\frac{1}{2}$ " D



LARGE
C-002-063
17" W X 39" H X 14 $\frac{1}{2}$ " D



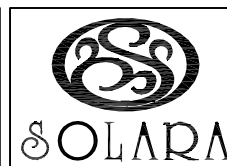
XLARGE
C-002-014
20 $\frac{1}{2}$ " W X 44" H X 18" D

AVAILABLE IN
GAS & ELECTRIC
WITH EXCEPTION
OF SMALL SIZE

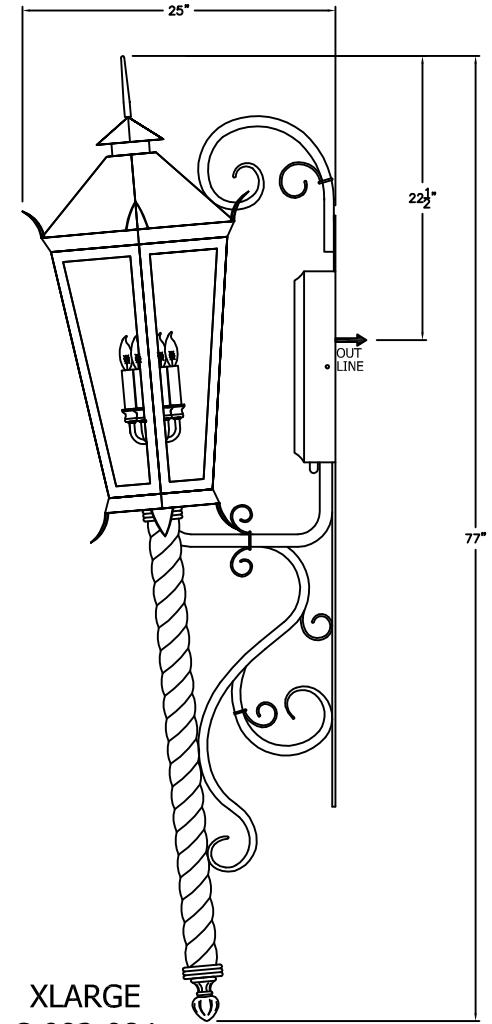
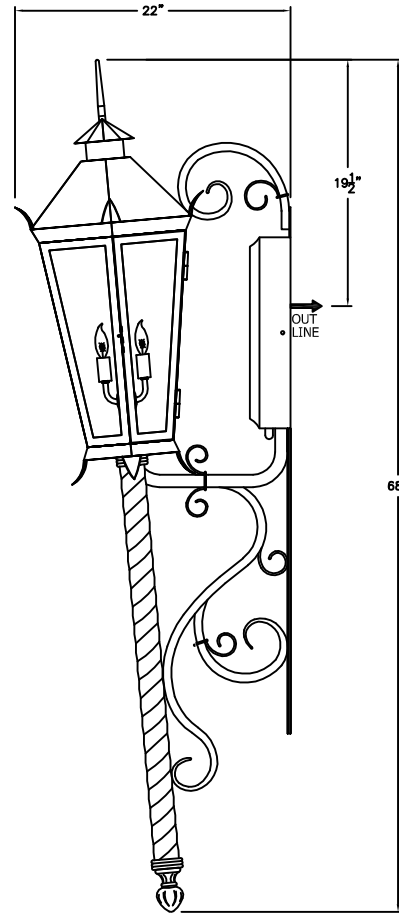
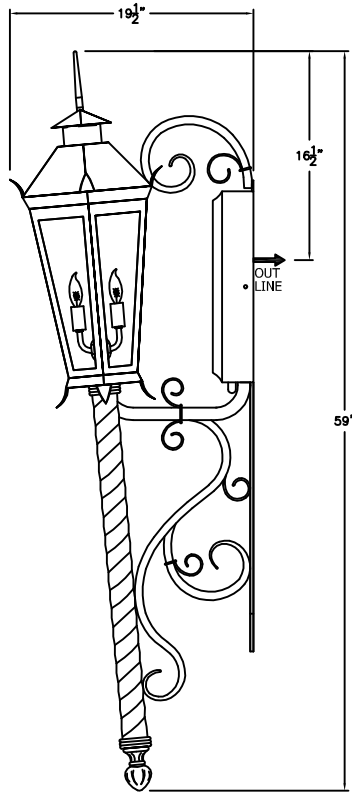
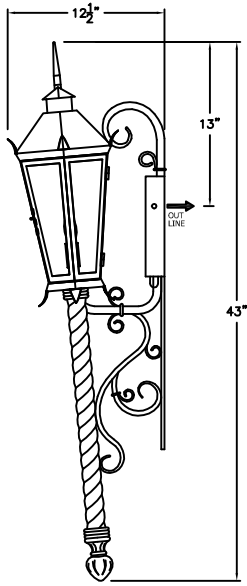
* ACTUAL DIMENSIONS MAY VARY UP TO 1/2"

CUSTOM DRAWING CHANGES:

© 2011 SOLARA ENCHAINMENT
UNAUTHORIZED USE OF THIS
PLAN IS IN VIOLATION OF THE
U.S. COPYRIGHT ACT TITLE 17
OF THE U.S. CODE.



DESIGN:	VIKING
LINE:	PIER MOUNT
FILE:	C-002-06SET-EG-S100-1
DATE REV:	23-JUNE-11



SMALL
C-002-081

10" W X 43" H X 12 1/2" D

MEDIUM
C-002-082

13 1/2" W X 59" H X 19 1/2" D

LARGE
C-002-083

17" W X 68" H X 22" D

XLARGE
C-002-084

20 1/2" W X 77" H X 25" D

AVAILABLE IN
GAS & ELECTRIC
WITH EXCEPTION
OF SMALL SIZE

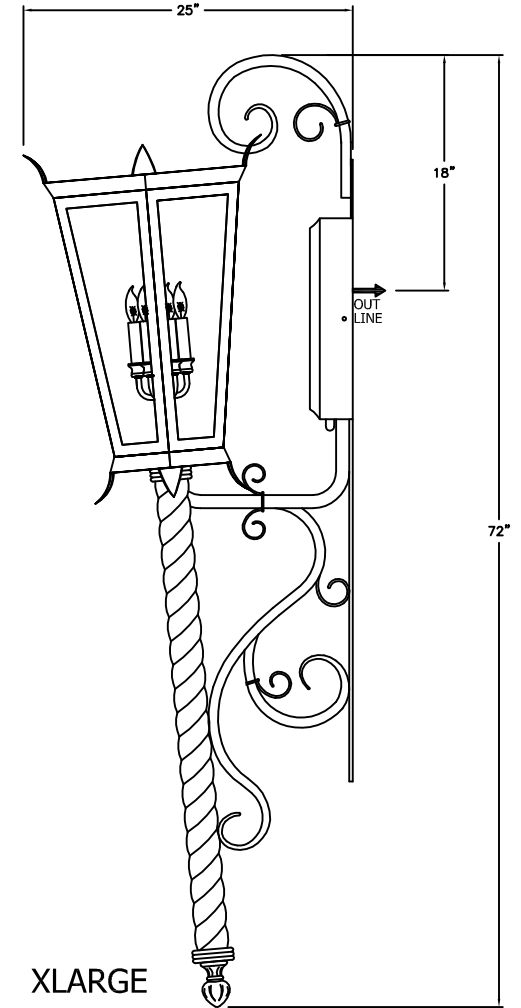
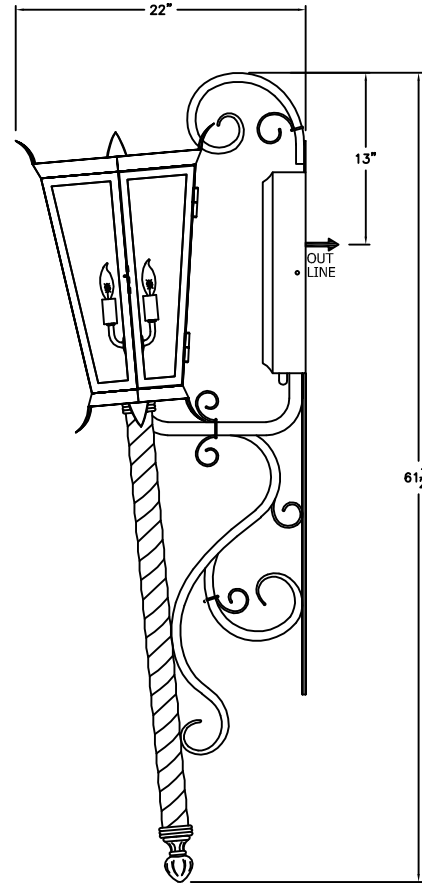
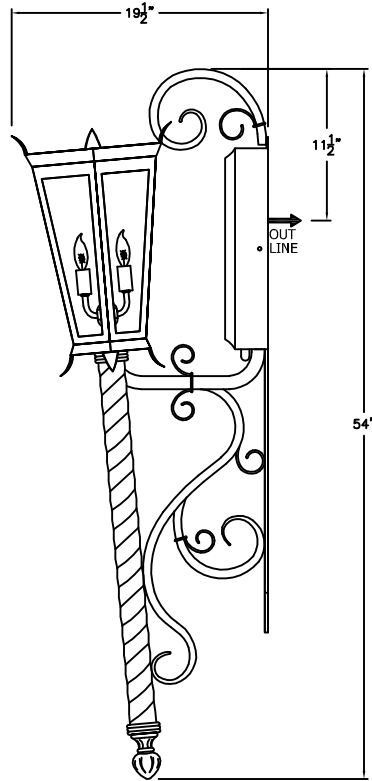
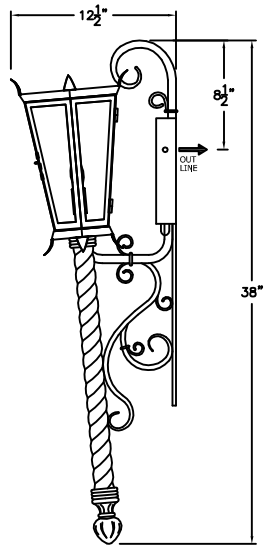
* ACTUAL DIMENSIONS MAY VARY UP TO 1/2"

CUSTOM DRAWING CHANGES:

© 2011 SOLARA ENCHAINMENT
UNAUTHORIZED USE OF THIS
PLAN IS IN VIOLATION OF THE
U.S. COPYRIGHT ACT TITLE 17
OF THE U.S. CODE.



DESIGN:	VIKING
LINE:	TORCH MOUNT
FILE:	C-002-08SET-EL-S100-1
DATE REV:	11-FEB-11



SMALL
C-002-091

10" W X 38" H X 12 1/2" D

MEDIUM
C-002-092

13 1/2" W X 54" H X 19 1/2" D

LARGE
C-002-093

17" W X 61 1/2" H X 22" D

XLARGE
C-002-094

20 1/2" W X 72" H X 25" D

AVAILABLE IN
GAS & ELECTRIC
WITH EXCEPTION
OF SMALL SIZE

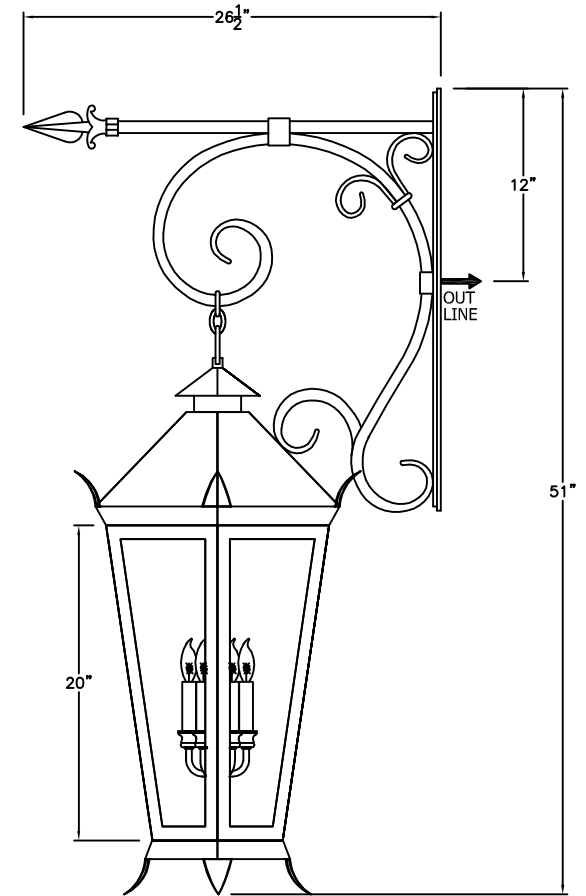
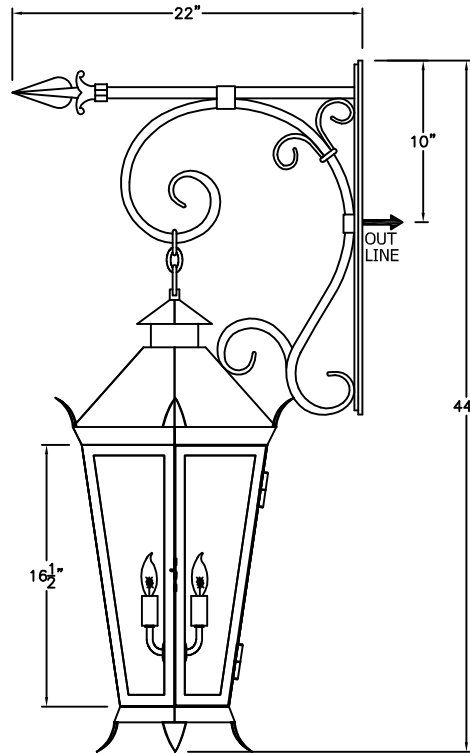
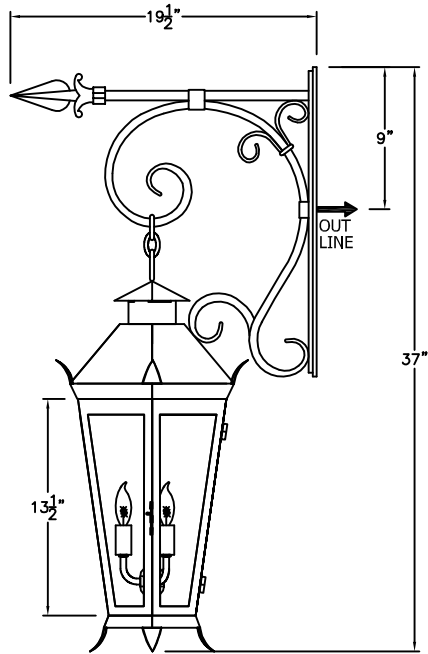
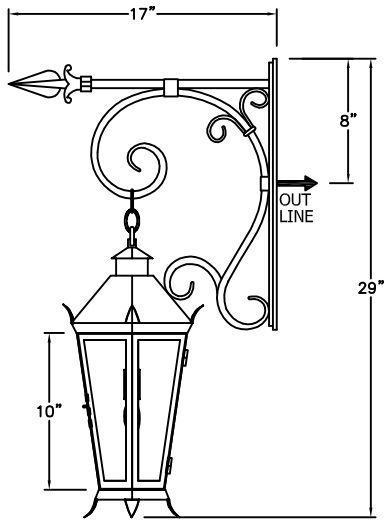
* ACTUAL DIMENSIONS MAY VARY UP TO 1/2"

CUSTOM DRAWING CHANGES:

© 2011 SOLARA ENCHAINMENT
UNAUTHORIZED USE OF THIS
PLAN IS IN VIOLATION OF THE
U.S. COPYRIGHT ACT TITLE 17
OF THE U.S. CODE.



DESIGN:	VIKING
LINE:	TORCH MOUNT
FILE:	C-002-09SET-EL-S100-1
DATE REV:	11-FEB-11



SMALL
C-002-101
10" W X 29" H X 17" D

MEDIUM
C-002-102
13 1/2" W X 37" H X 19 1/2" D

LARGE
C-002-103
17" W X 44" H X 22" D

XLARGE
C-002-104
20 1/2" W X 51" H X 26 1/2" D

ONLY AVAILABLE
IN ELECTRIC

* ACTUAL DIMENSIONS MAY VARY UP TO 1/2"

CUSTOM DRAWING CHANGES:

© 2011 SOLARA ENCHAINMENT
UNAUTHORIZED USE OF THIS
PLAN IS IN VIOLATION OF THE
U.S. COPYRIGHT ACT TITLE 17
OF THE U.S. CODE.



DESIGN:	VIKING
LINE:	HANGING MOUNT
FILE:	C-002-10SET-EL-S100-1
DATE REV:	11-FEB-11